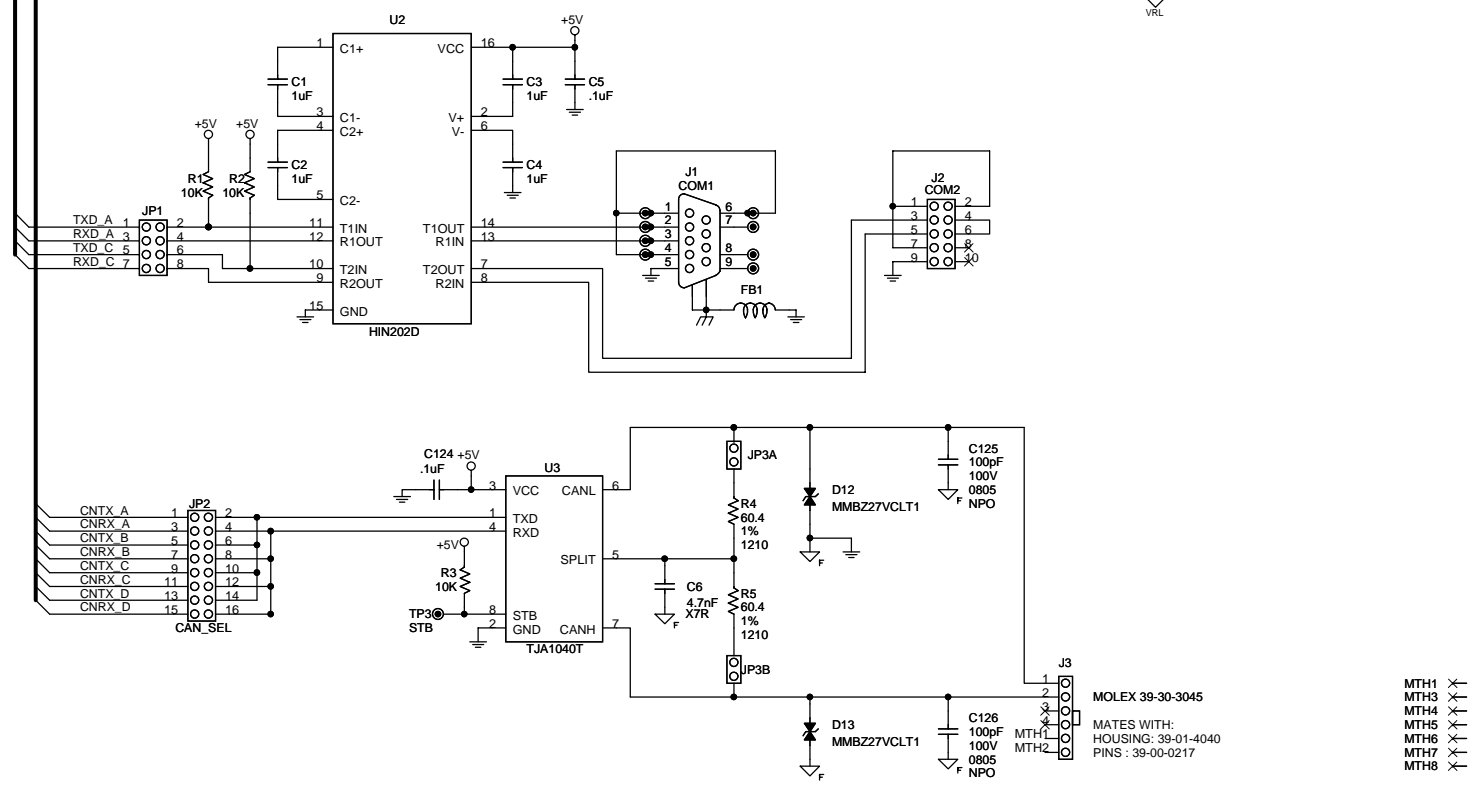
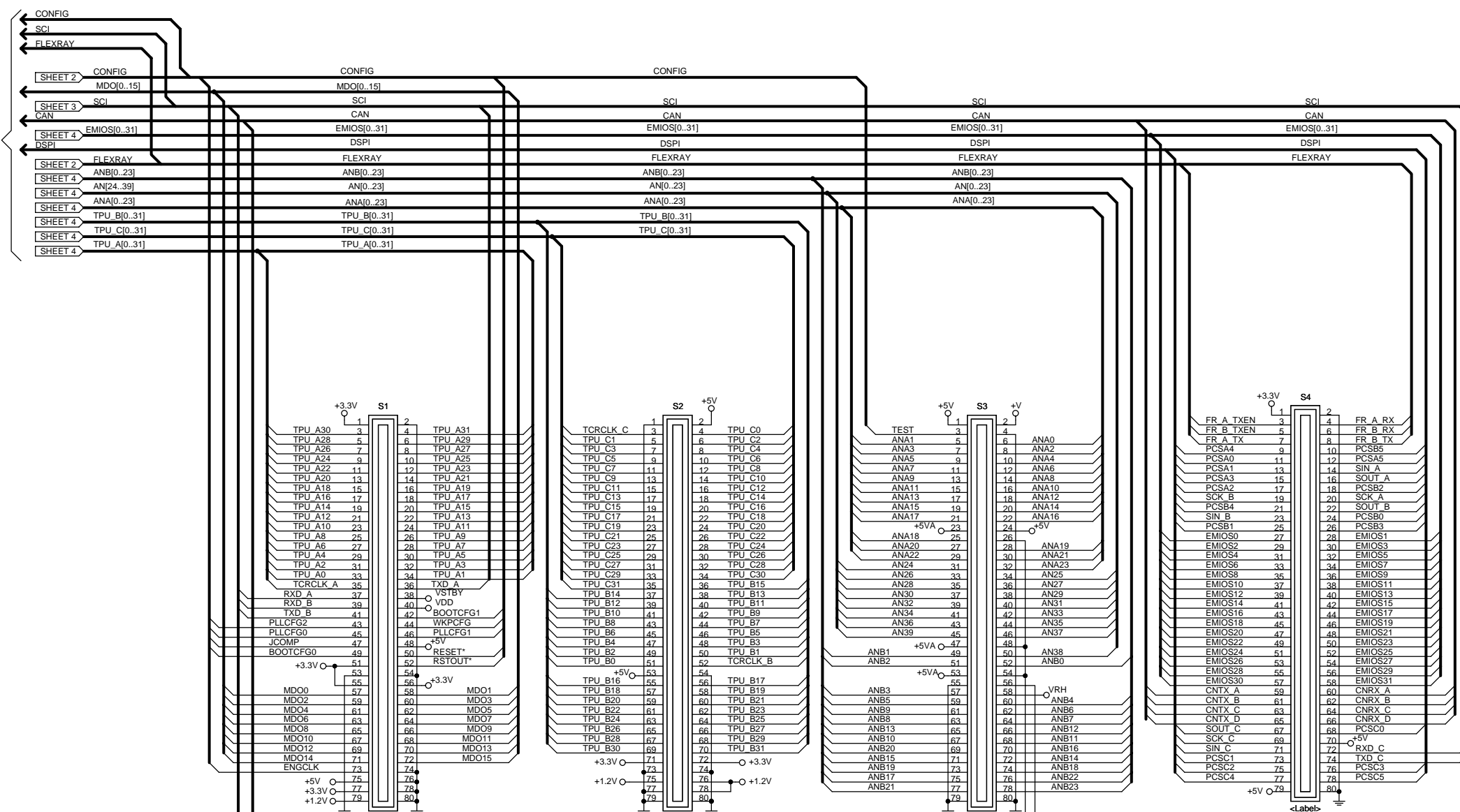


TO DAUGHTER BOARDS:
MPC5467DAT16
MPC5467DAT516



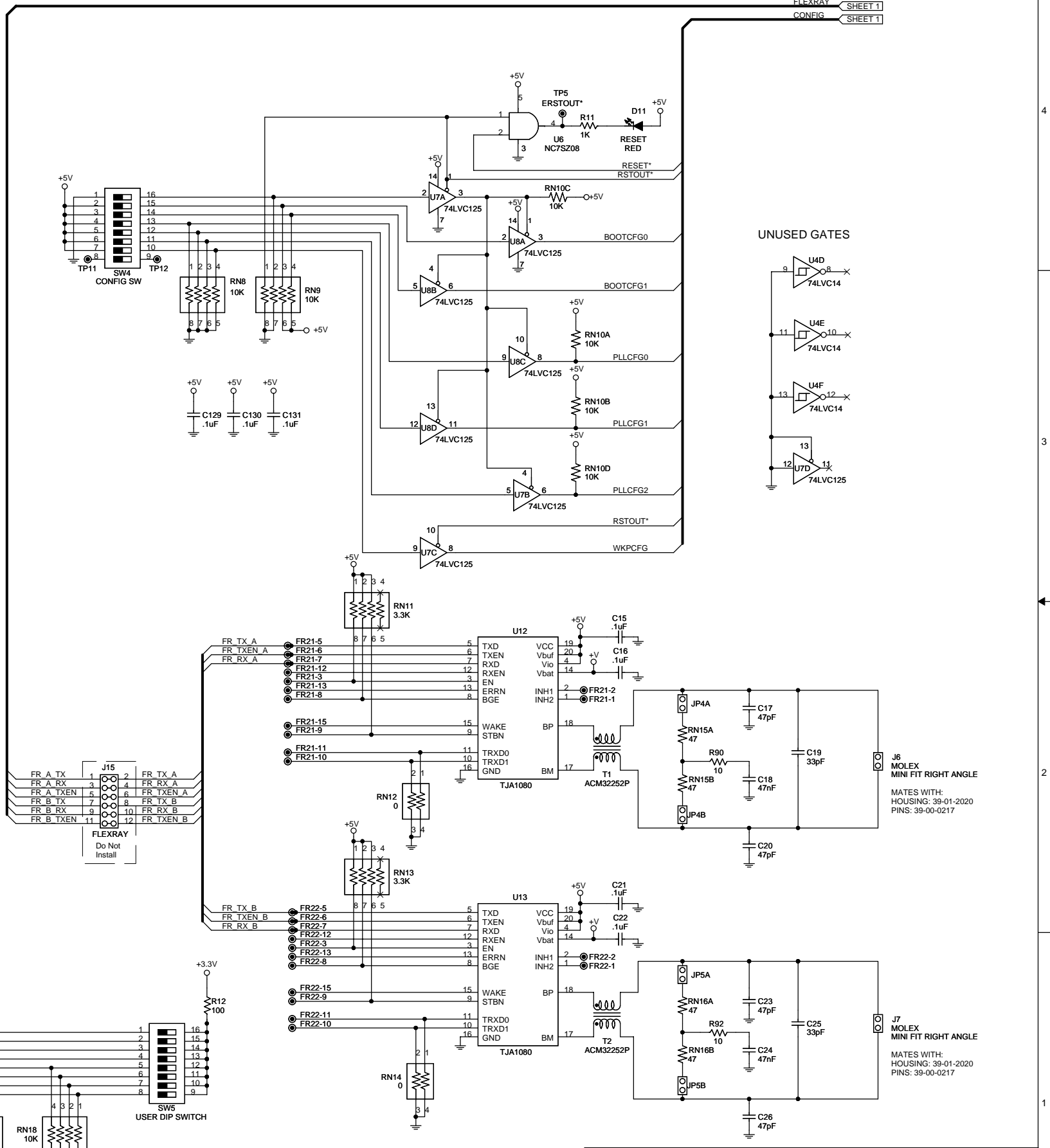
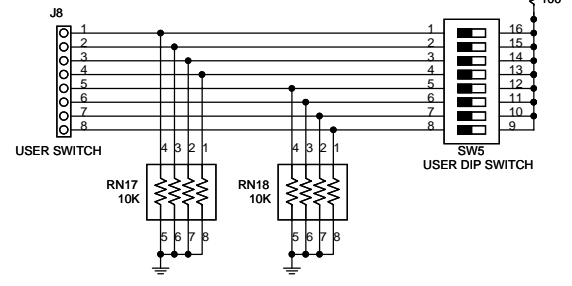
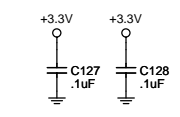
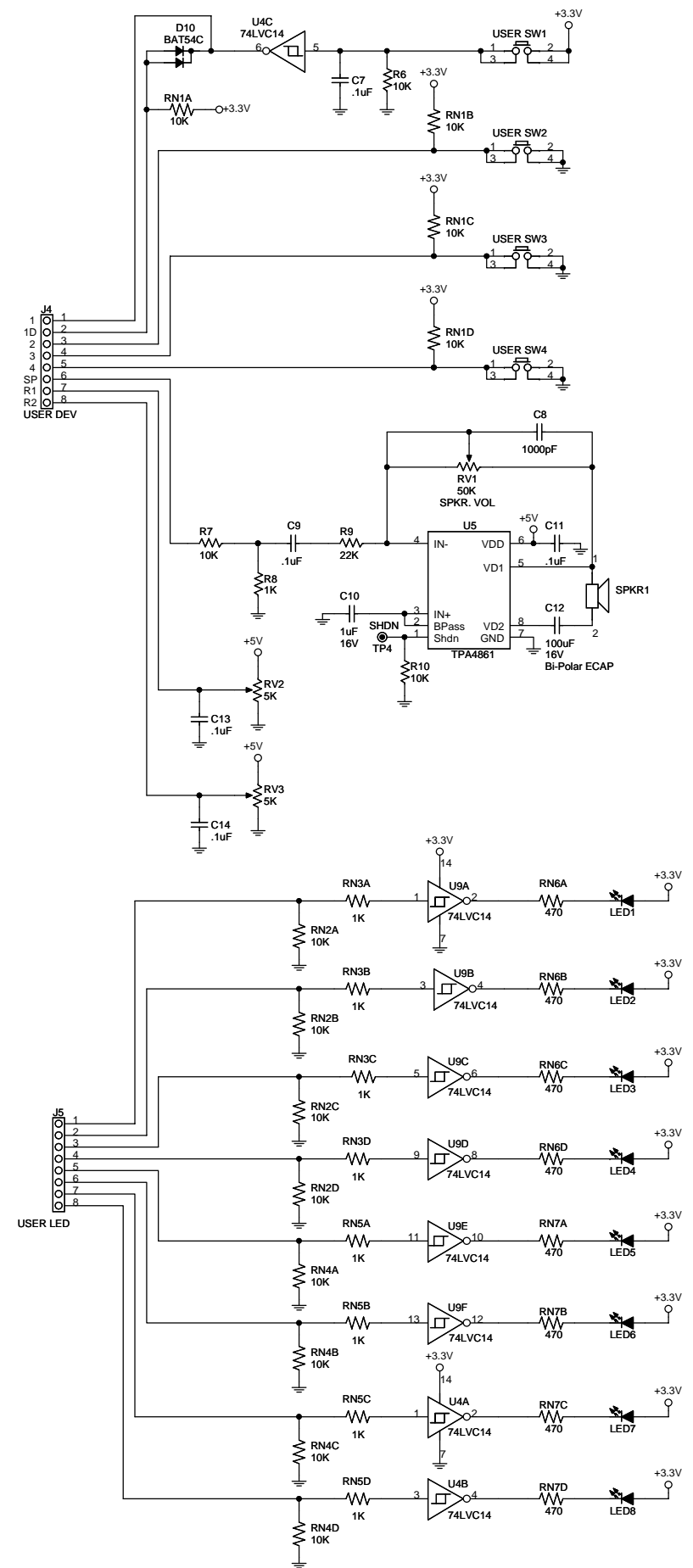
- MTH1 ✗
- MTH3 ✗
- MTH4 ✗
- MTH5 ✗
- MTH6 ✗
- MTH7 ✗
- MTH8 ✗

Approvals		Date	Title
Drawn	GLM	092708	MPC5674EVBFXMB AXM-0473
Checked	DSR	092708	Document Number
Finish			DOC-0473-030
Date:		Friday, October 31, 2008	Sheet 1 of 4

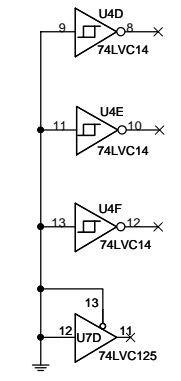


MATES WITH:
HOUSING: 39-01-4040
PINS: 39-00-0217

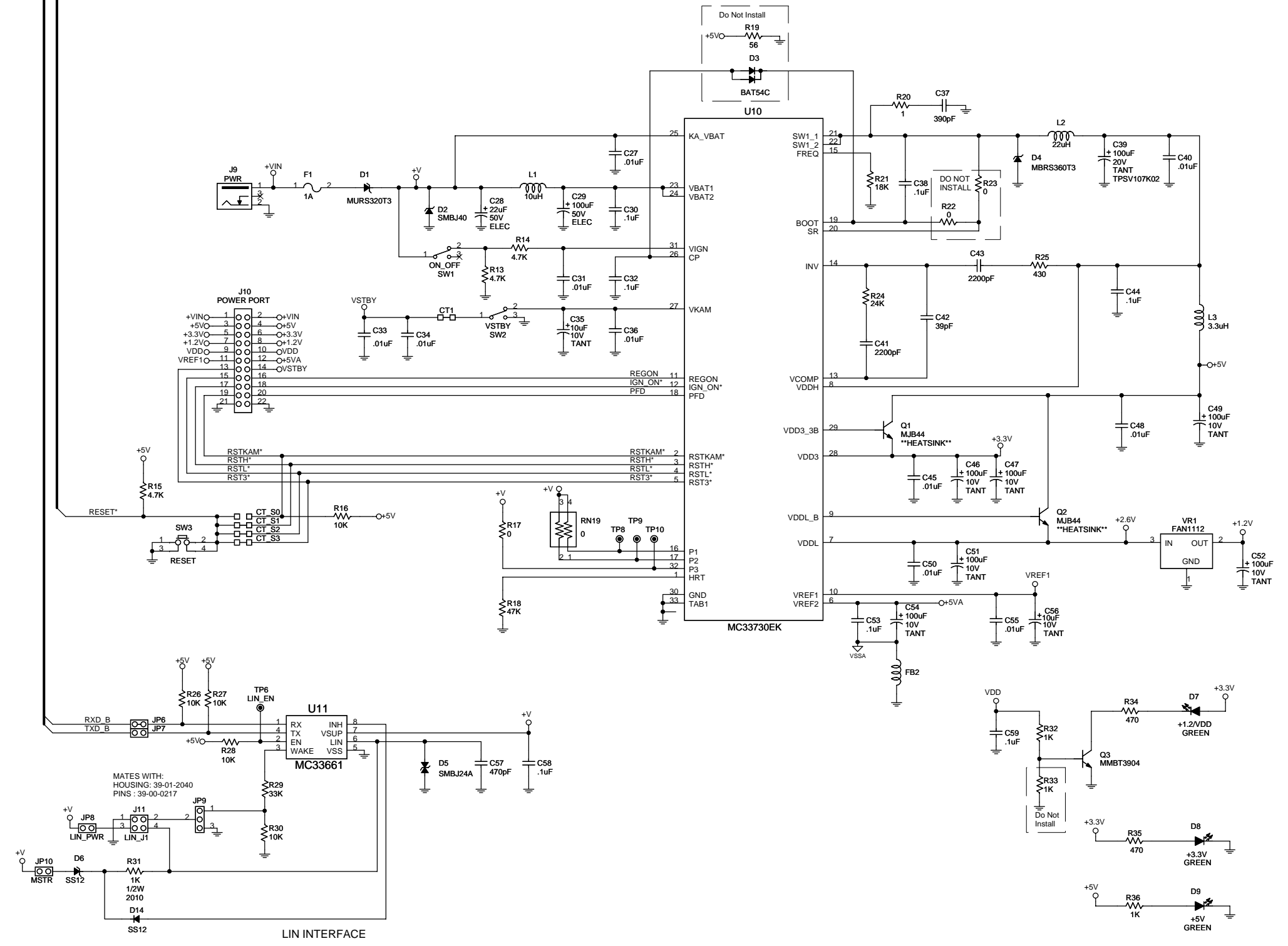
MOLEX 39-30-3045



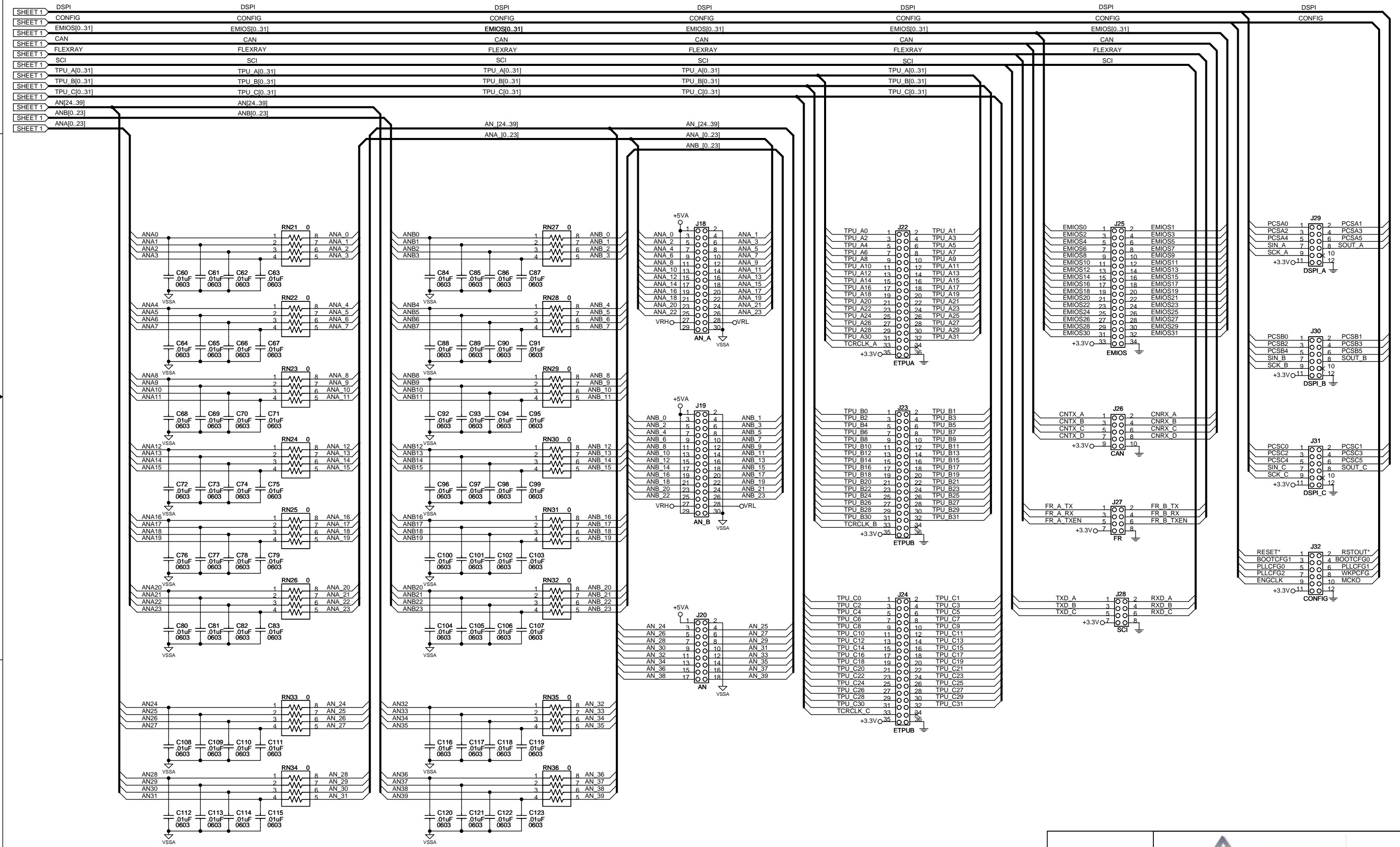
UNUSED GATES



		Title	
		MPC5674EVBFXMB AXM-0473	
Approvals	Date	Size	Document Number
Drawn GLM	092708	C	DOC-0473-030
Checked DSR	092708	Rev	A
Finish	Date: Tuesday, November 04, 2008	Sheet	2 of 4



		Title	
		MPC5674EVBFXMB AXM-0473	
Drawn	GLM	Date	092708
Checked	DSR	Date	092708
Finish		Date	Friday, October 31, 2008
Size C		Document Number	DOC-0473-030
Date		Friday, October 31, 2008	Sheet 3 of 4
Rev A			



Approvals	Date
Drawn GLM	092708
Checked DSR	092708
Finish	
Title MPC5674EVBFXMB AXM-0473	
Document Number DOC-0473-030	
Date: Friday, October 31, 2008	Sheet 4 of 4