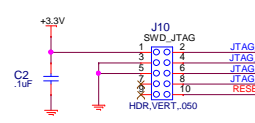
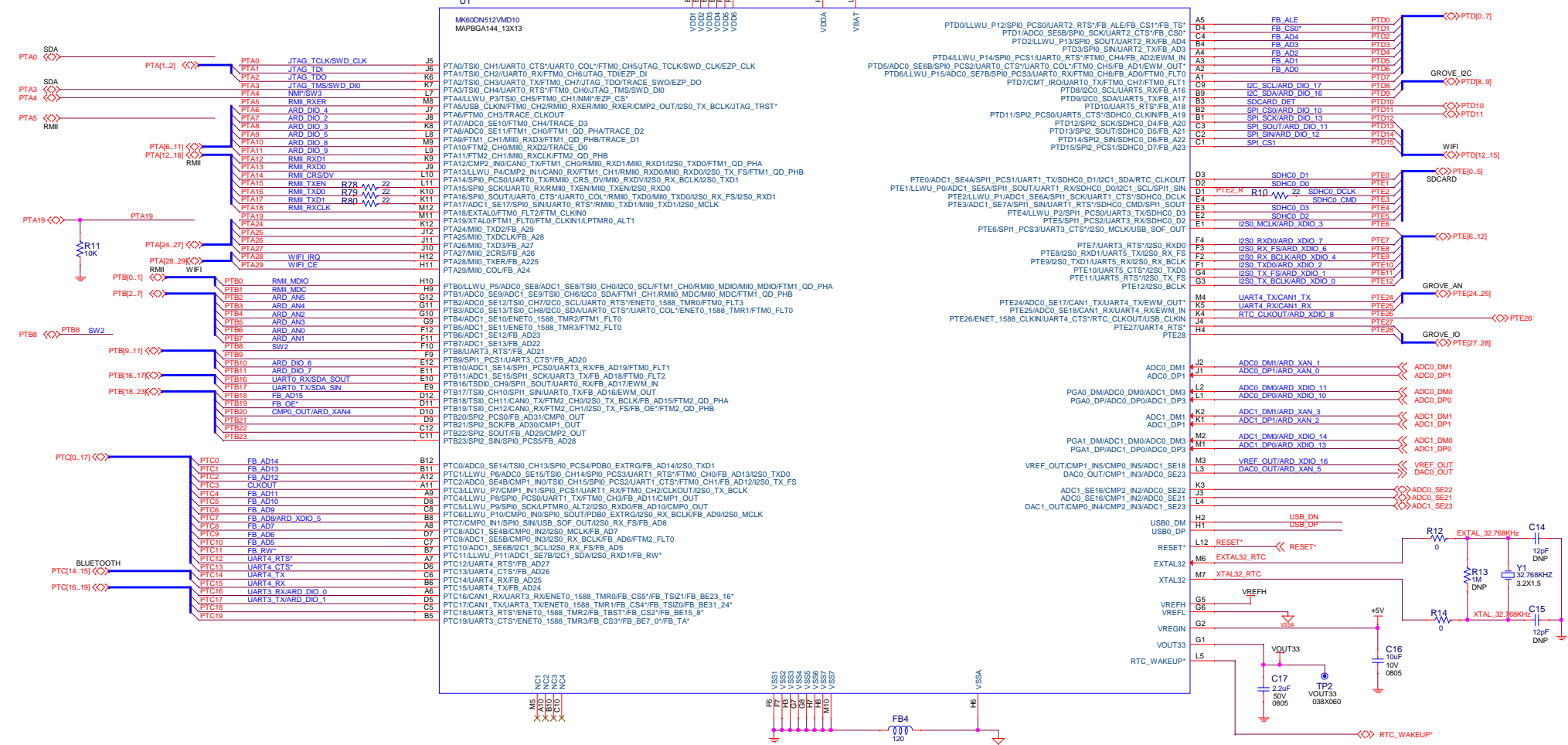
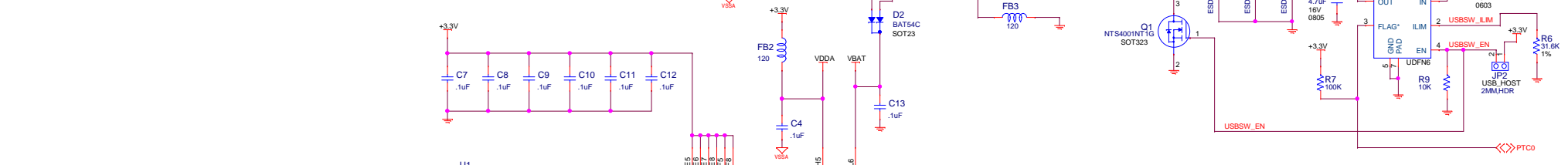
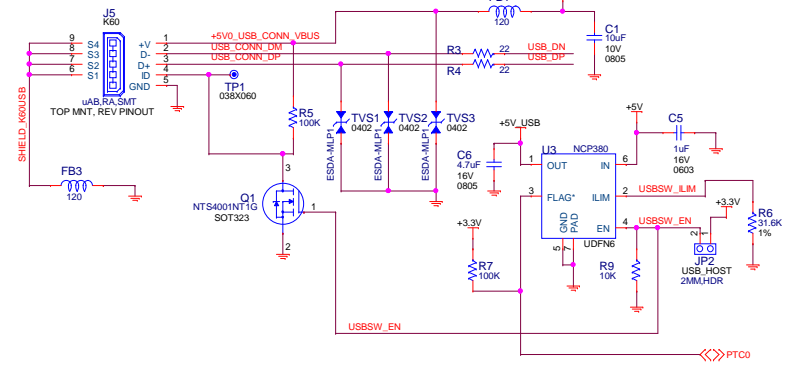


SWD CONNECTOR

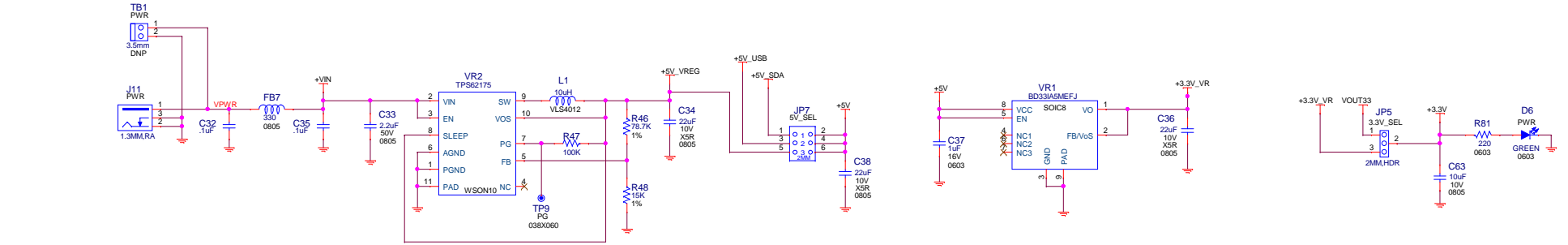


K60 USB CONNECTOR

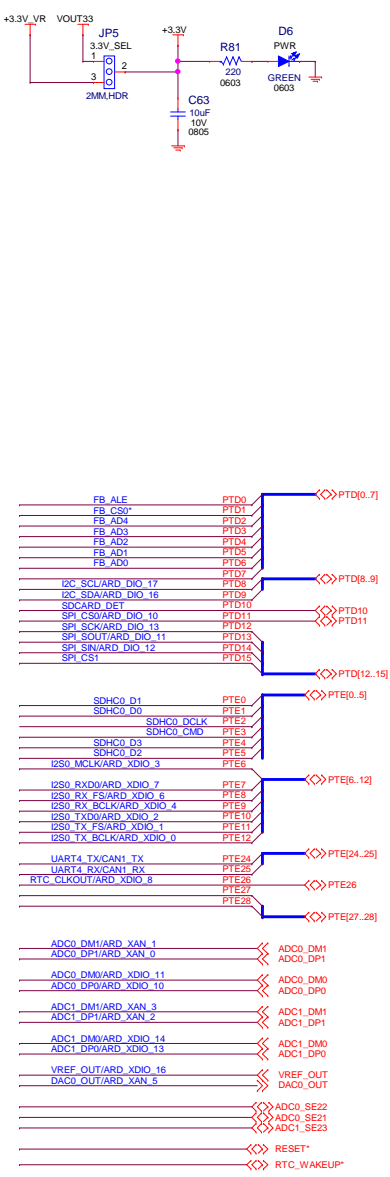
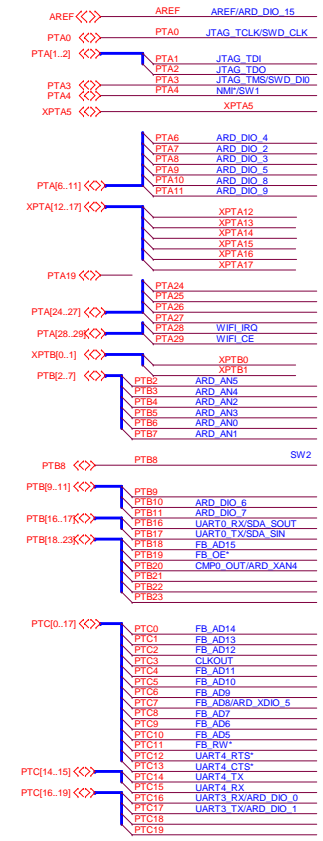
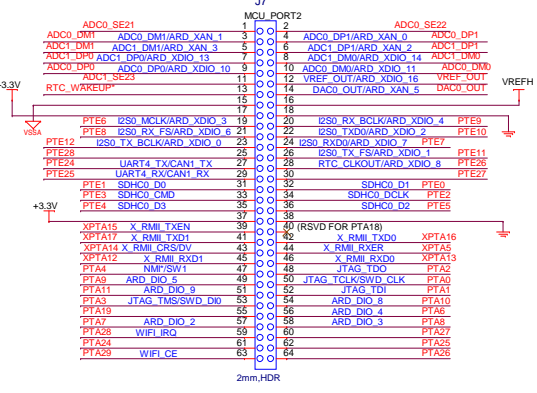
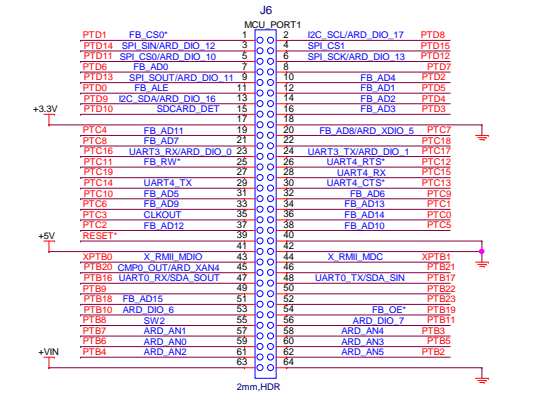
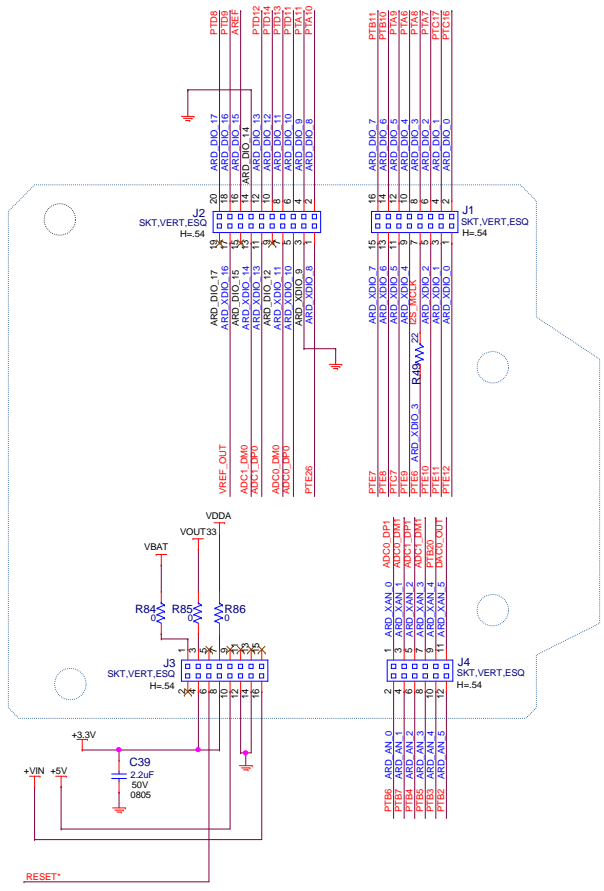


- NOTES (UNLESS OTHERWISE SPECIFIED):
1. ALL DISCRETE COMPONENTS ARE 0402 SIZE.
 2. ALL RESISTORS 5% TOLERANCE.
 3. ALL CAPACITORS X7R, 10% TOLERANCE.
 4. ALL CAPACITORS WITH VALUE 100PF AND BELOW ARE NPO/COG, 5% TOLERANCE.
 5. ALL JUMPERS/HEADERS ARE .10 SP. VERTICAL..
 6. ALL TESTPOINTS ARE .040 DIA SMT PADS.

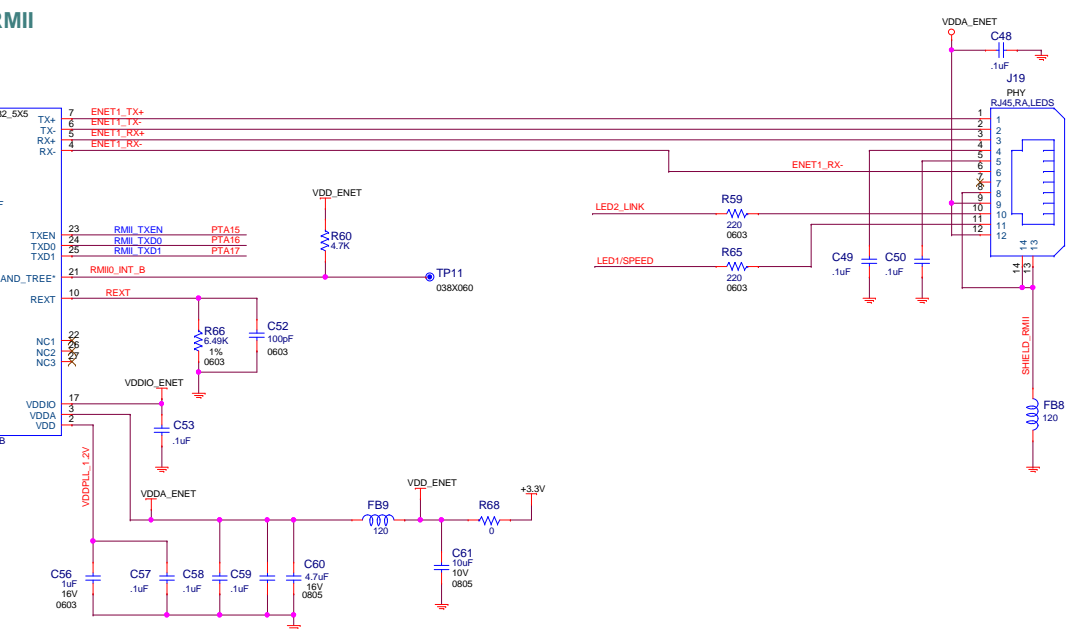
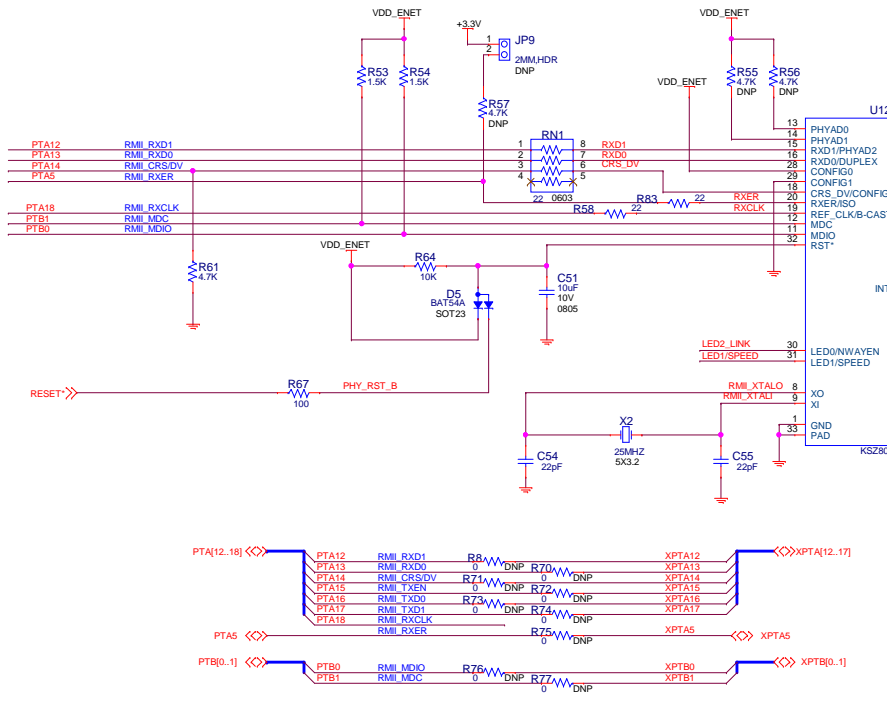
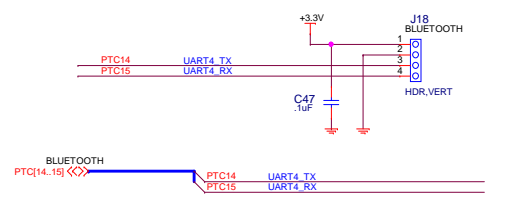
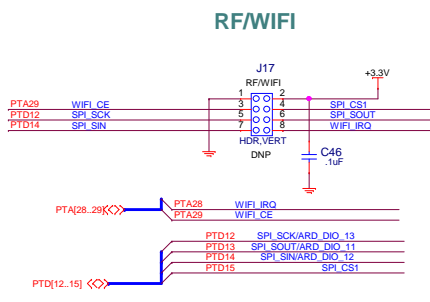
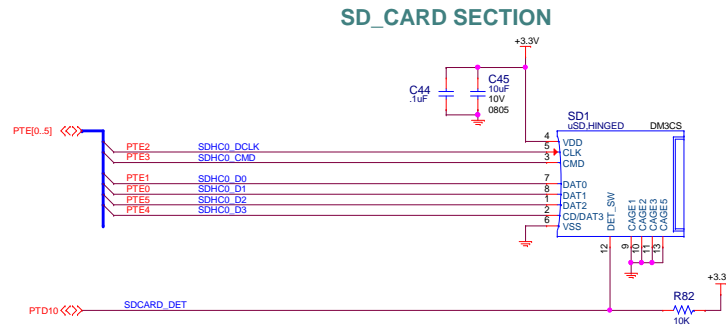
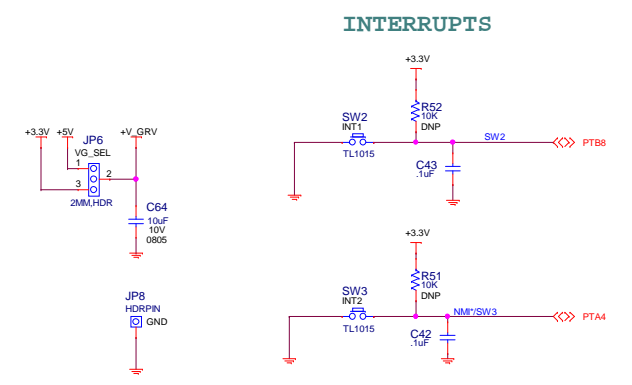
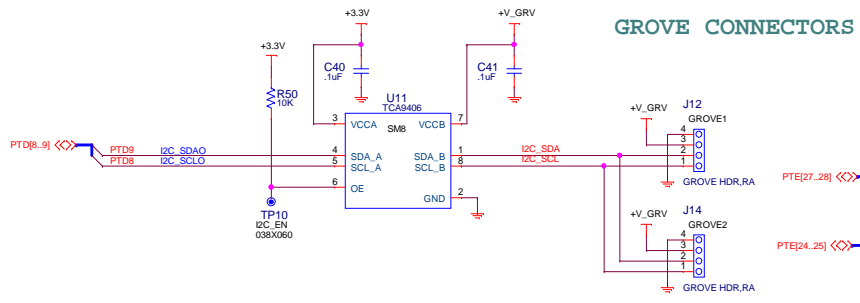
		CMM-K60D MODULE		Rev A
Approvals Drawn: GLG Checked: RF Finish:	Date 150519 150519	Title CMM-K60D MODULE	Size C	Sheet 1 of 4



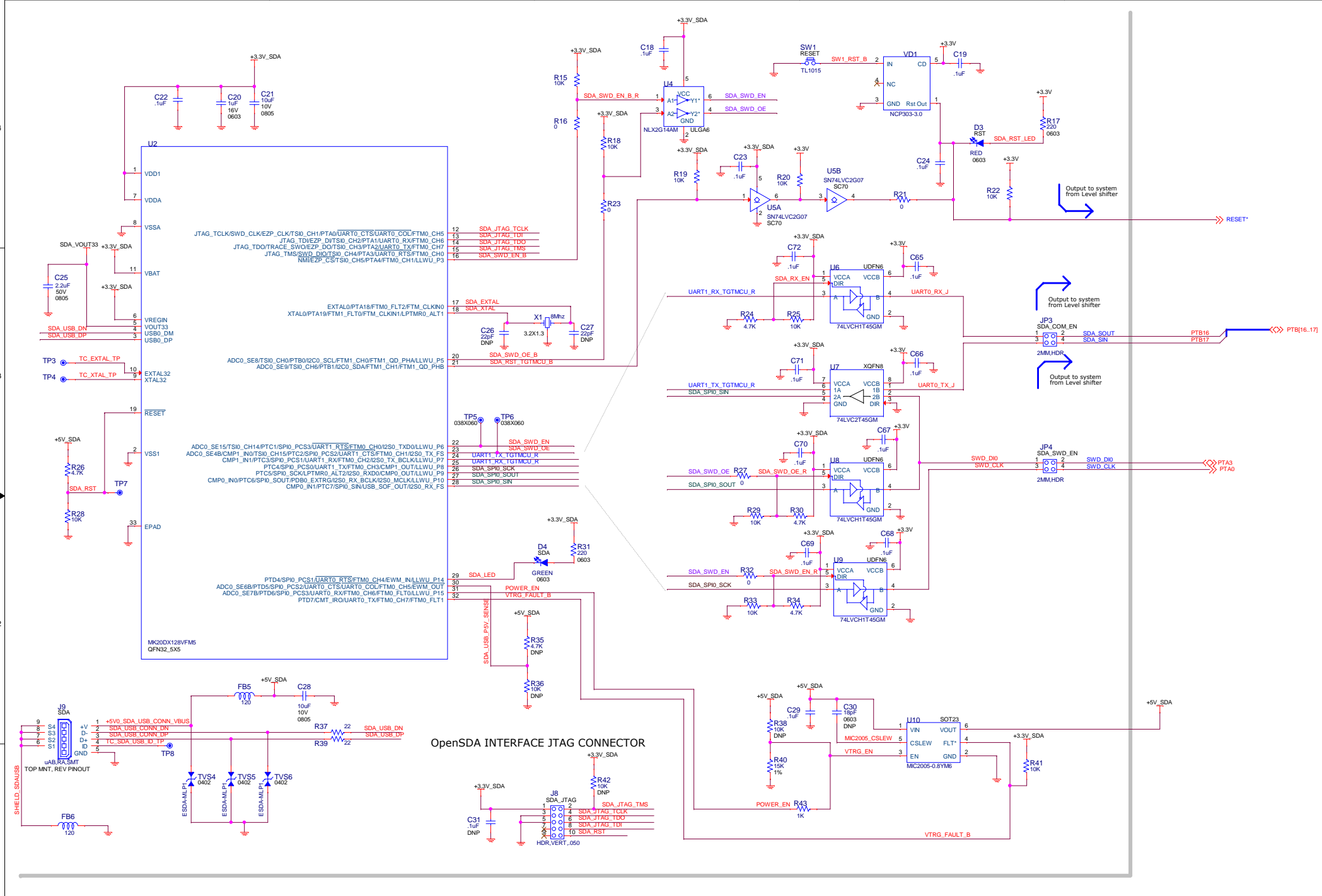
ARDUINO COMPATIBLE HEADERS



Approvals		Date	Title	
Drawn	GLG	150519	CMM-K60D MODULE	
Checked	RF	150519	Document Number	DOC-0702-030
Finish			Date: Wednesday, July 08, 2015	Sheet 2 of 4



Approvals	Date
Drawn GLG	150519
Checked RF	150519
Finish	
Title	
CMM-K60D MODULE	
Document Number	DOC-0702-030
Date: Wednesday, July 08, 2015	Sheet 3 of 4



OpenSDA INTERFACE JTAG CONNECTOR

Approvals		Date	Title	
Drawn	GLG	150519	CMM-K60D MODULE	
Checked	RF	150519	Size	Document Number
Finish			C	DOC-0702-030
Date: Wednesday, July 08, 2015			Sheet	4 of 4



Rev A