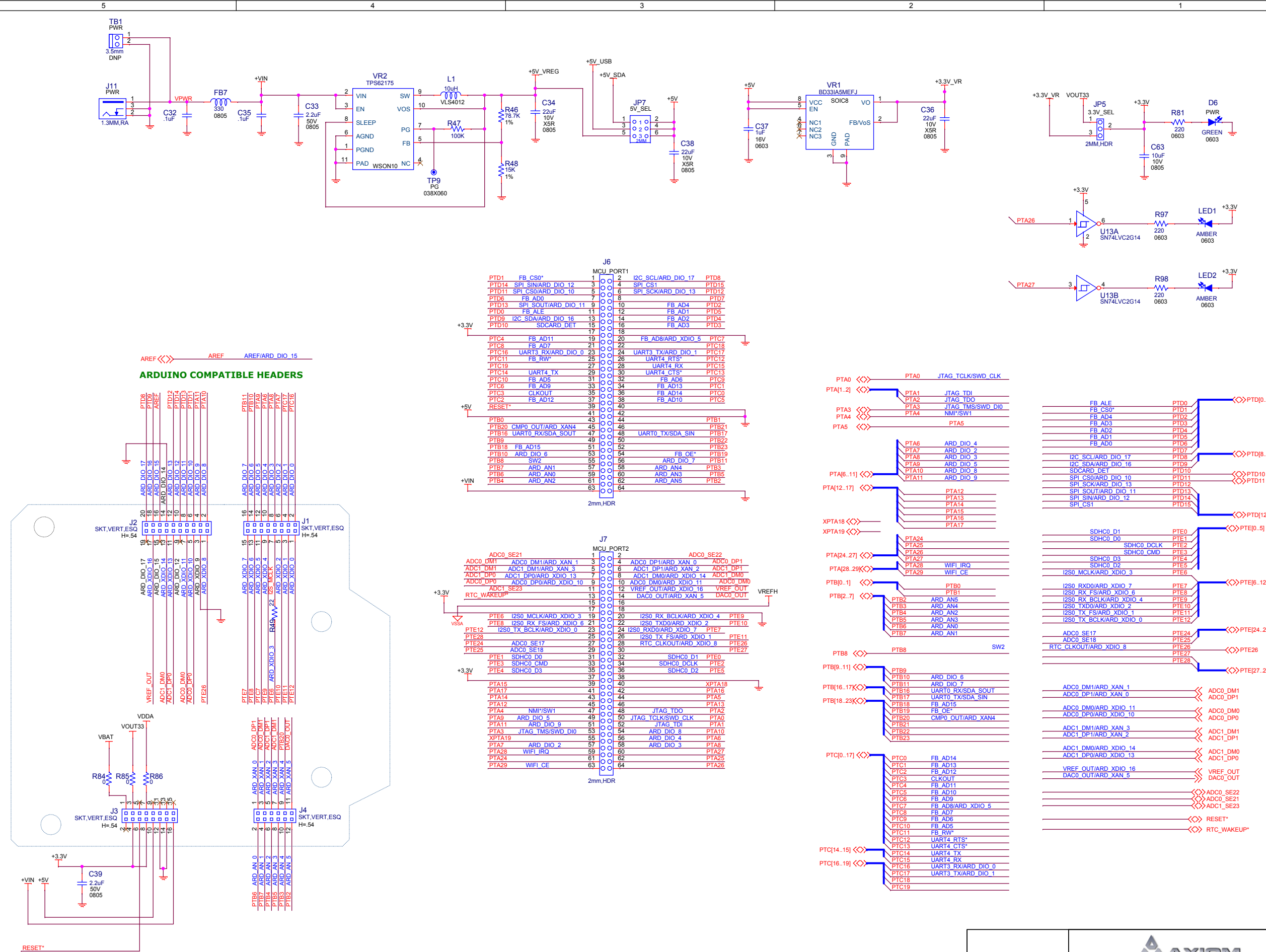


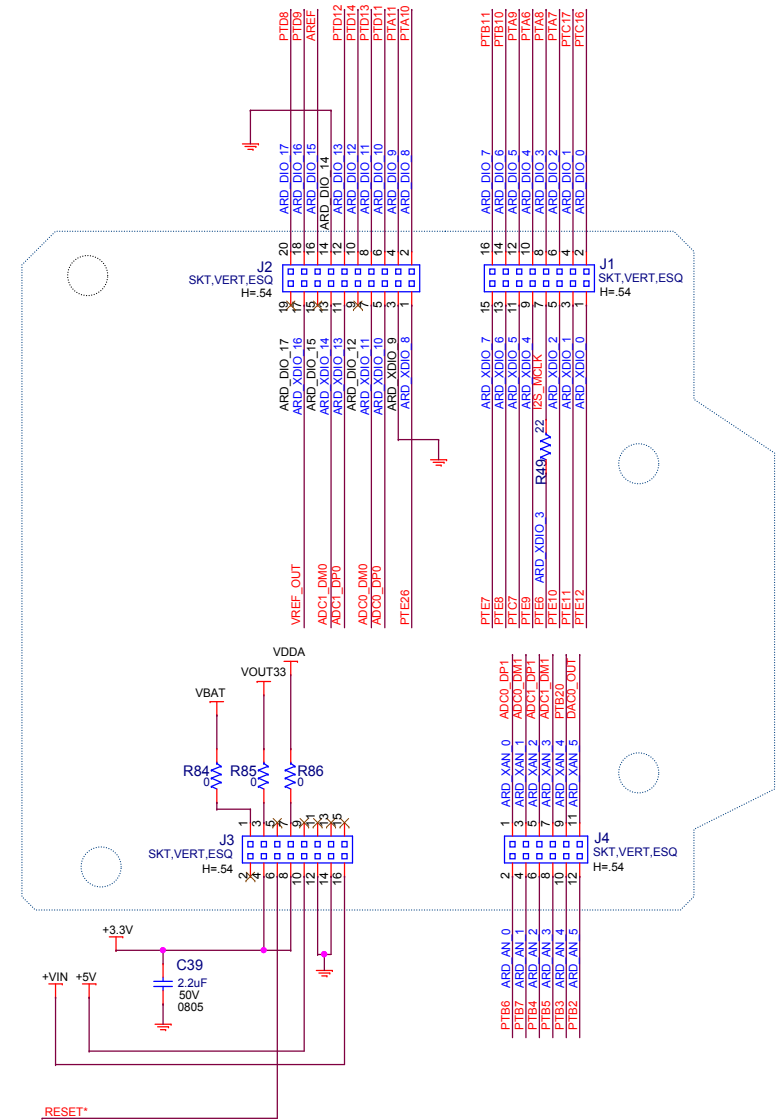
- NOTES (UNLESS OTHERWISE SPECIFIED):
1. ALL DISCRETE COMPONENTS ARE 0402 SIZE.
 2. ALL RESISTORS 5% TOLERANCE.
 3. ALL CAPACITORS X7R, 10% TOLERANCE.
 4. ALL CAPACITORS WITH VALUE 100pF AND BELOW ARE NPO/COG, 5% TOLERANCE.
 5. ALL JUMPERS/HEADERS ARE .10 SP, VERTICAL..
 6. ALL TESTPOINTS ARE .040 DIA SMT PADS.

Approvals		Date	Title	
Drawn	GLG	150616	CM-K22F MODULE	
Checked	RF	150616	Size	Document Number
Finish			C	DOC-0703-030
		Date	Thursday, September 10, 2015	Sheet 1 of 4





ARDUINO COMPATIBLE HEADERS



J6 MCU_PORT1

PTD1	FB_CS0*	1	2	I2C_SCL/ARD_DIO_17	PTD8
PTD14	SPI_SIN/ARD_DIO_12	3	4	SPI_CS1	PTD15
PTD11	SPI_CS0/ARD_DIO_10	5	6	SPI_SCK/ARD_DIO_13	PTD12
PTD6	FB_AD0	7	8		PTD7
PTD13	SPI_SOUT/ARD_DIO_11	9	10	FB_AD4	PTD2
PTD0	FB_ALE	11	12	FB_AD1	PTD5
PTD9	I2C_SDA/ARD_DIO_16	13	14	FB_AD2	PTD4
PTD10	SDCARD_DET	15	16	FB_AD3	PTD3
PTC4	FB_AD11	19	20	FB_AD8/ARD_XDIO_5	PTC7
PTC8	FB_AD7	21	22		PTC18
PTC16	UART3_RX/ARD_DIO_0	23	24	UART3_TX/ARD_DIO_1	PTC17
PTC11	FB_RW*	25	26	UART4_RTS*	PTC12
PTC19	UART4_TX	27	28	UART4_RX	PTC15
PTC14	UART4_CTS*	29	30	UART4_CTS*	PTC13
PTC10	FB_AD5	31	32	FB_AD6	PTC5
PTC6	FB_AD9	33	34	FB_AD13	PTC1
PTC3	CLKOUT	35	36	FB_AD14	PTC0
PTC2	FB_AD12	37	38	FB_AD10	PTC5
RESET*		39	40		
PTB0		41	42		
PTB20	CMP0_OUT/ARD_XAN4	45	46		PTB21
PTB16	UART0_RX/SDA_SOUT	47	48	UART0_TX/SDA_SIN	PTB17
PTB9		49	50		PTB22
PTB18	FB_AD15	51	52		PTB23
PTB10	ARD_DIO_6	53	54	FB_OE*	PTB19
PTB8	SW2	55	56	ARD_DIO_7	PTB11
PTB7	ARD_AN1	57	58	ARD_AN4	PTB3
PTB6	ARD_AN0	59	60	ARD_AN3	PTB5
PTB4	ARD_AN2	61	62	ARD_AN5	PTB2
		63	64		

J7 MCU_PORT2

ADC0_SE21		1	2	ADC0_DP1/ARD_XAN_0	ADC0_DP1
ADC0_DM1	ADC0_DM1/ARD_XAN_1	3	4	ADC0_DP1/ARD_XAN_2	ADC0_DP1
ADC1_DM1	ADC1_DM1/ARD_XAN_3	5	6	ADC1_DP1/ARD_XAN_2	ADC1_DP1
ADC1_DP0	ADC1_DP0/ARD_XDIO_13	7	8	ADC1_DM0/ARD_XDIO_14	ADC1_DM0
ADC0_DP0	ADC0_DP0/ARD_XDIO_10	9	10	ADC0_DM0/ARD_XDIO_11	ADC0_DM0
ADC1_SE23		11	12	VREF_OUT/ARD_XDIO_16	VREF_OUT
RTC_WAKEUP*		13	14	DAC0_OUT/ARD_XAN_5	DAC0_OUT
		15	16		
PTE6	I2S0_MCLK/ARD_XDIO_3	19	20	I2S0_RX_BCLK/ARD_XDIO_4	PTE9
PTE8	I2S0_RX_FS/ARD_XDIO_6	21	22	I2S0_TXD0/ARD_XDIO_2	PTE10
PTE12	I2S0_TX_BCLK/ARD_XDIO_0	23	24	I2S0_RXD0/ARD_XDIO_7	PTE7
PTE28		25	26	I2S0_TX_FS/ARD_XDIO_1	PTE11
PTE24	ADC0_SE17	27	28	RTC_CLKOUT/ARD_XDIO_8	PTE26
PTE26	ADC0_SE18	29	30		PTE27
PTE1	SDHC0_D0	31	32	SDHC0_D1	PTE0
PTE3	SDHC0_CMD	33	34	SDHC0_D2	PTE2
PTE4	SDHC0_D3	35	36	SDHC0_D3	PTE5
PTA15		37	38	XPTA18	
PTA17		41	42	PTA16	
PTA14		43	44	PTA5	
PTA12		45	46	PTA13	
PTA4	NMI*/SW1	47	48	JTAG_TDO	PTA2
PTA9	ARD_DIO_5	49	50	JTAG_TCLK/SWD_CLK	PTA0
PTA11	ARD_DIO_9	51	52	JTAG_TDI	PTA1
PTA3	JTAG_TMS/SWD_DIO	53	54	ARD_DIO_8	PTA10
XPTA19		55	56	ARD_DIO_4	PTA6
PTA7	ARD_DIO_2	57	58	ARD_DIO_3	PTA8
PTA28	WIFI_IRQ	59	60		PTA27
PTA24		61	62		PTA25
PTA29	WIFI_CE	63	64		PTA26

PTA0 <<> PTA0 JTAG_TCLK/SWD_CLK

PTA1[1..2] <<> PTA1 JTAG_TDI
PTA2 JTAG_TDO

PTA3 <<> PTA3 JTAG_TMS/SWD_DIO

PTA4 <<> PTA4 NMI*/SW1

PTA5 <<> PTA5

PTA6[8..11] <<> PTA6 ARD_DIO_4
PTA7 ARD_DIO_2
PTA8 ARD_DIO_3
PTA9 ARD_DIO_5
PTA10 ARD_DIO_8
PTA11 ARD_DIO_9

PTA12[1..17] <<> PTA12
PTA13
PTA14
PTA15
PTA16
PTA17

XPTA18 <<>

XPTA19 <<>

PTA24[24..27] <<> PTA24
PTA25
PTA26
PTA27

PTA28[28..29] <<> PTA28 WIFI_IRQ
PTA29 WIFI_CE

PTB0[0..1] <<> PTB0
PTB1

PTB2[2..7] <<> PTB2 ARD_AN5
PTB3 ARD_AN6
PTB4 ARD_AN4
PTB5 ARD_AN2
PTB6 ARD_AN3
PTB7 ARD_AN0
PTB8 ARD_AN1

PTB8 <<> PTB8 SW2

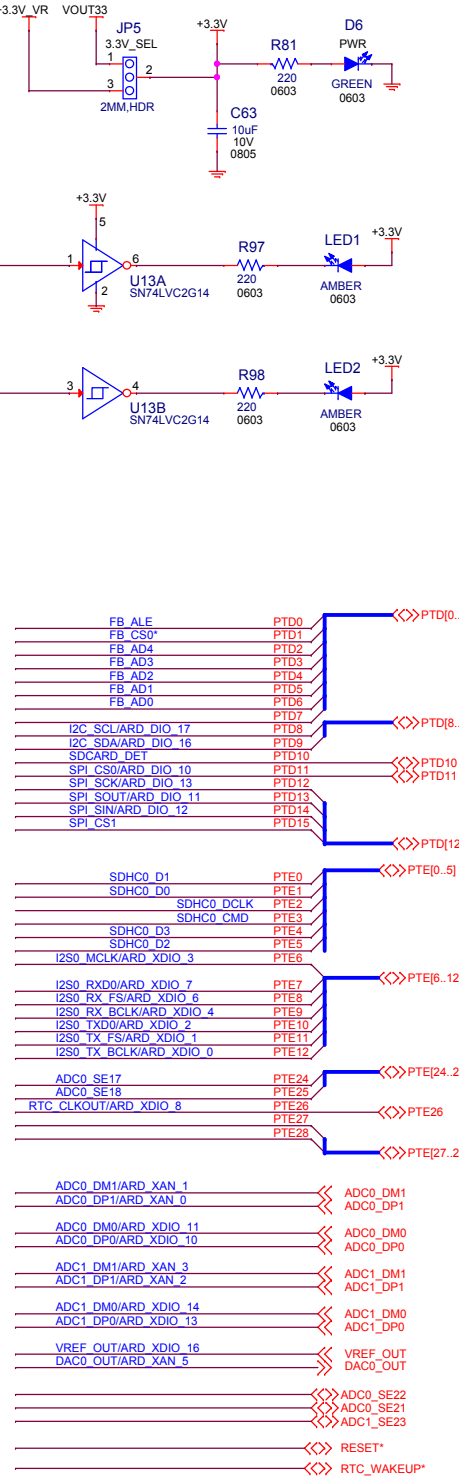
PTB9[9..11] <<> PTB9 ARD_DIO_6
PTB10 ARD_DIO_7
PTB11 ARD_DIO_8

PTB16[16..17] <<> PTB16 UART0_RX/SDA_SOUT

PTB18[18..23] <<> PTB17 UART0_TX/SDA_SIN
PTB18 FB_AD15
PTB19 FB_OE
PTB20 CMP0_OUT/ARD_XAN4
PTB21 FB_AD10
PTB22
PTB23

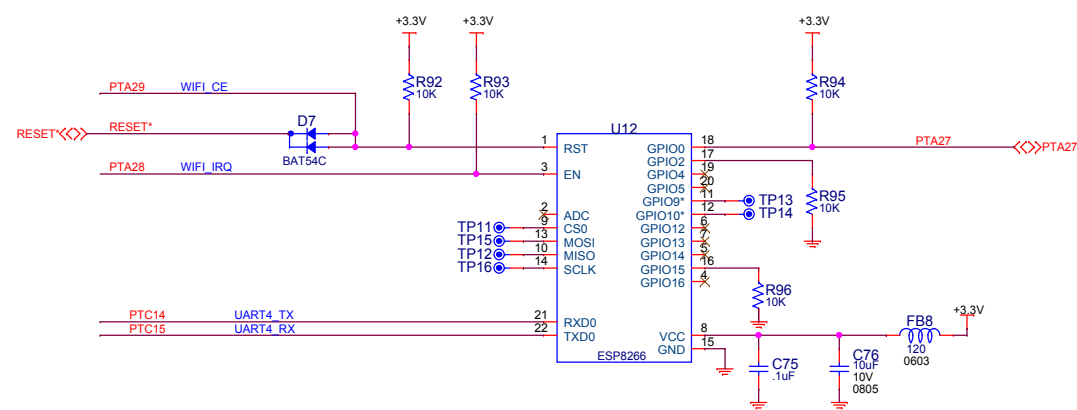
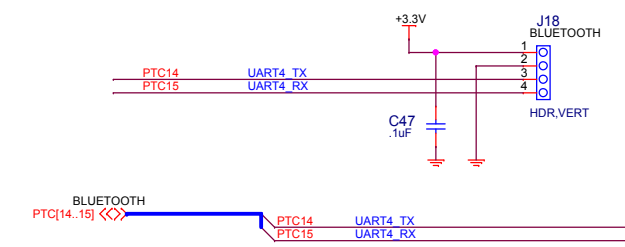
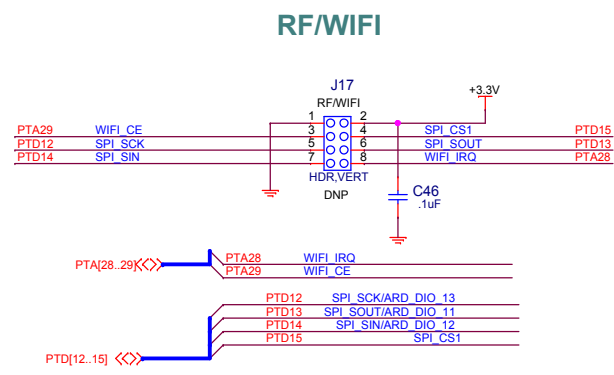
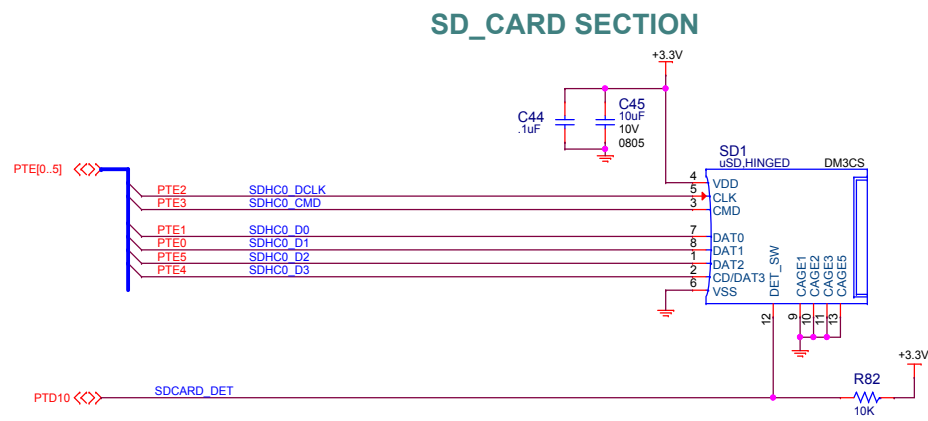
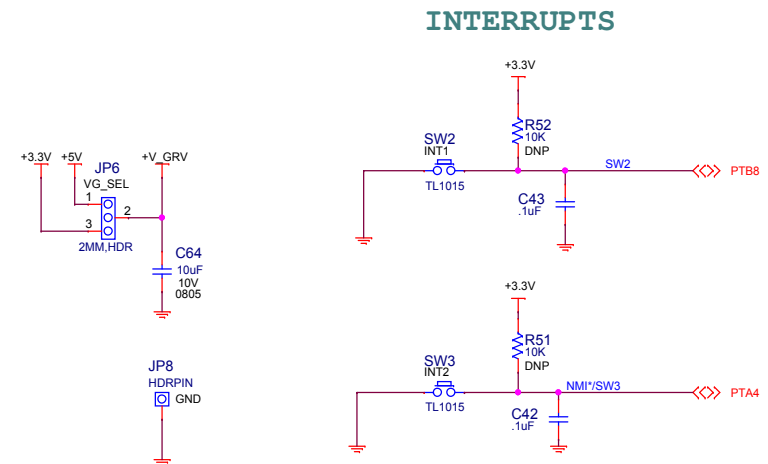
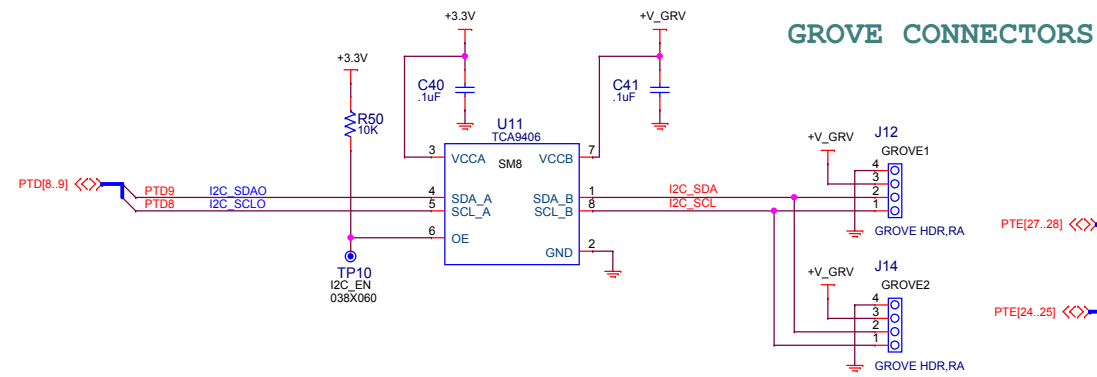
PTC0[0..17] <<> PTC0 FB_AD14
PTC1 FB_AD13
PTC2 FB_AD12
PTC3 CLKOUT
PTC4 FB_AD11
PTC5 FB_AD10
PTC6 FB_AD9
PTC7 FB_AD8/ARD_XDIO_5
PTC8 FB_AD7
PTC9 FB_AD6
PTC10 FB_AD5
PTC11 FB_RW*

PTC12[12..15] <<> PTC12 UART4_RTS*
PTC13 UART4_CTS*
PTC14 UART4_TX
PTC15 UART4_RX
PTC16 UART3_RX/ARD_DIO_0
PTC17 UART3_TX/ARD_DIO_1
PTC18
PTC19

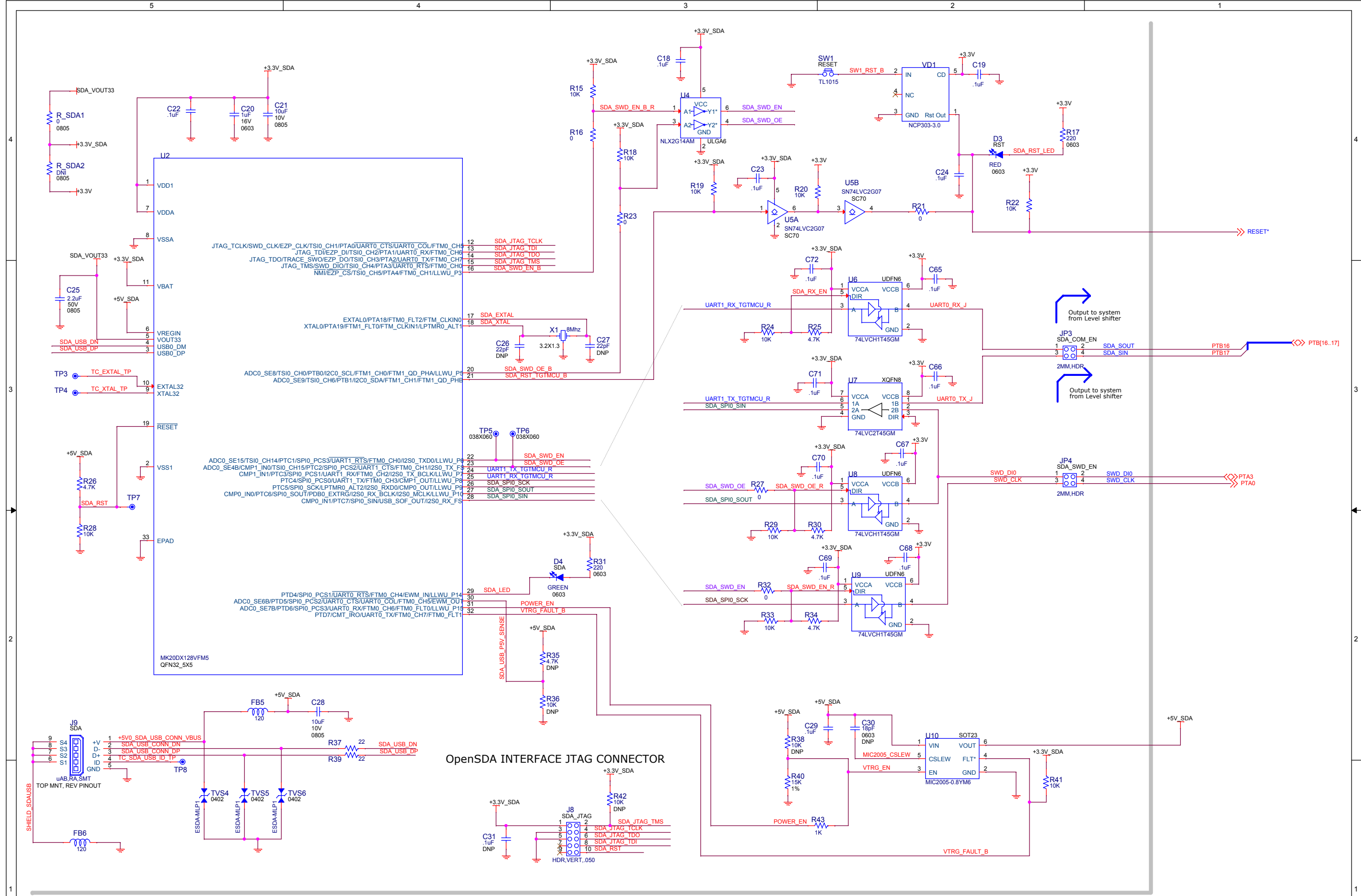


Approvals		Date	Title	
Drawn	GLG	150616	CM-K22F MODULE	
Checked	RF	150616	Size	Document Number
Finish			C	DOC-0703-030
		Date	Friday, January 22, 2016	Sheet 2 of 4





Approvals	Date	Title	
Drawn: GLG	150616	CM-K22F MODULE	
Checked: RF	150616	Size: C	Document Number: DOC-0703-030
Finish:		Date: Thursday, September 10, 2015	Rev: A
		Sheet 3 of 4	



Approvals		Date		Title	
Drawn	GLG	150616		CM-K22F MODULE	
Checked	RF	150616		Document Number	Rev
Finish				DOC-0703-030	A
Date: Friday, January 22, 2016				Sheet 4 of 4	

