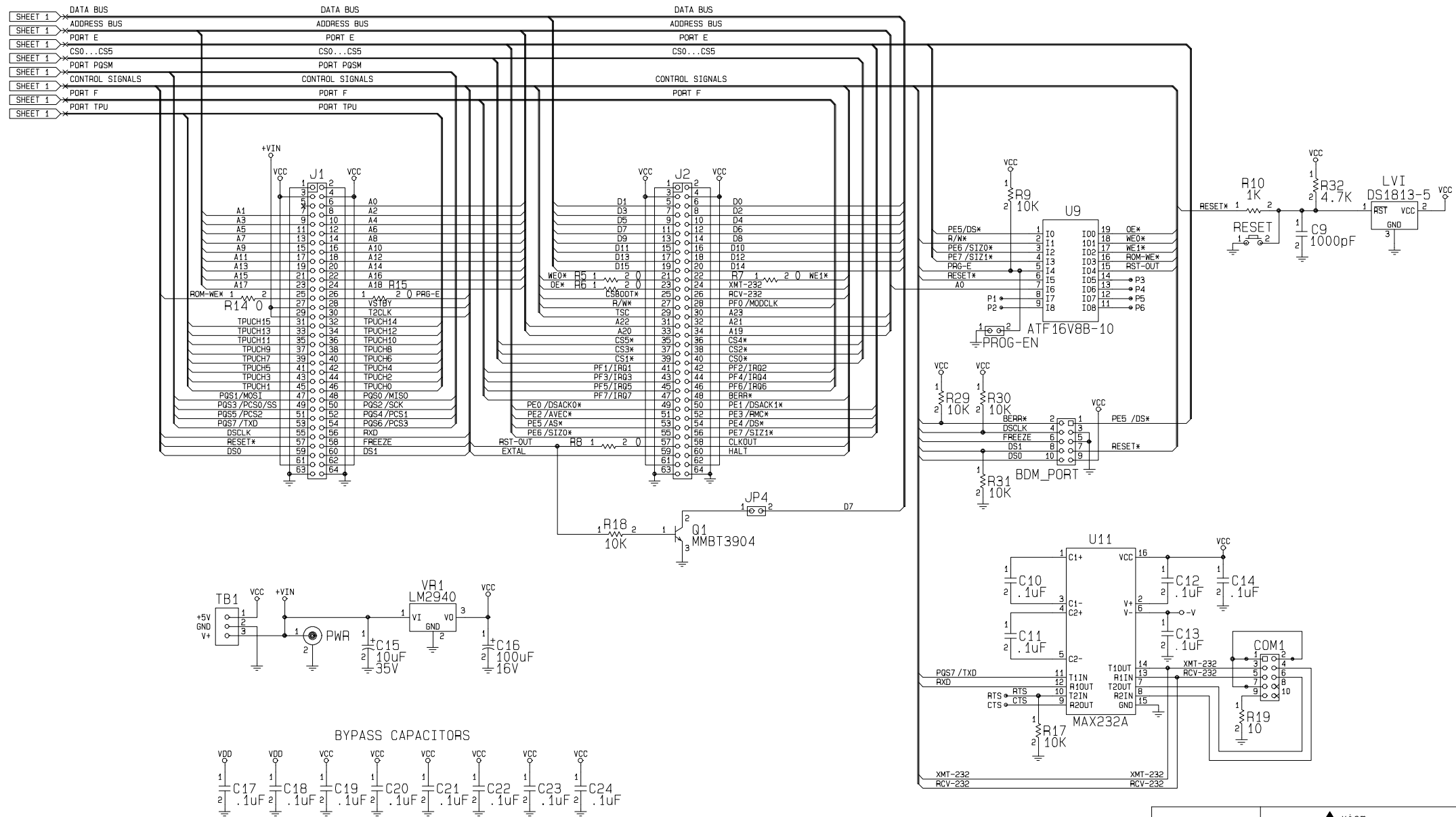


SHEET 2
SHEET 2
SHEET 2
SHEET 2
SHEET 2
SHEET 2

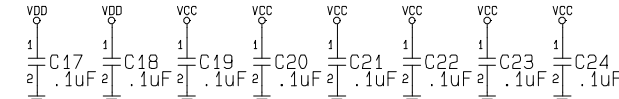
SHEET 2



APPROVALS		DATE	TITLE	
DRAWN	GLM	102703	AXM-0089 CMM68332	
CHECKED	RDF	102703	DWG. NO.	AX-SCH-0187
FINISH			SCALE	SHEET 1 OF 2



BYPASS CAPACITORS



APPROVALS		DATE	TITLE	
DRAWN	GLM	102703	AXM-0089 CMM68332	
CHECKED	RDF	102703	SIZE	DWG NO.
FINISH			D	AX-SCH-0187
SCALE			SHEET 2 OF 2	