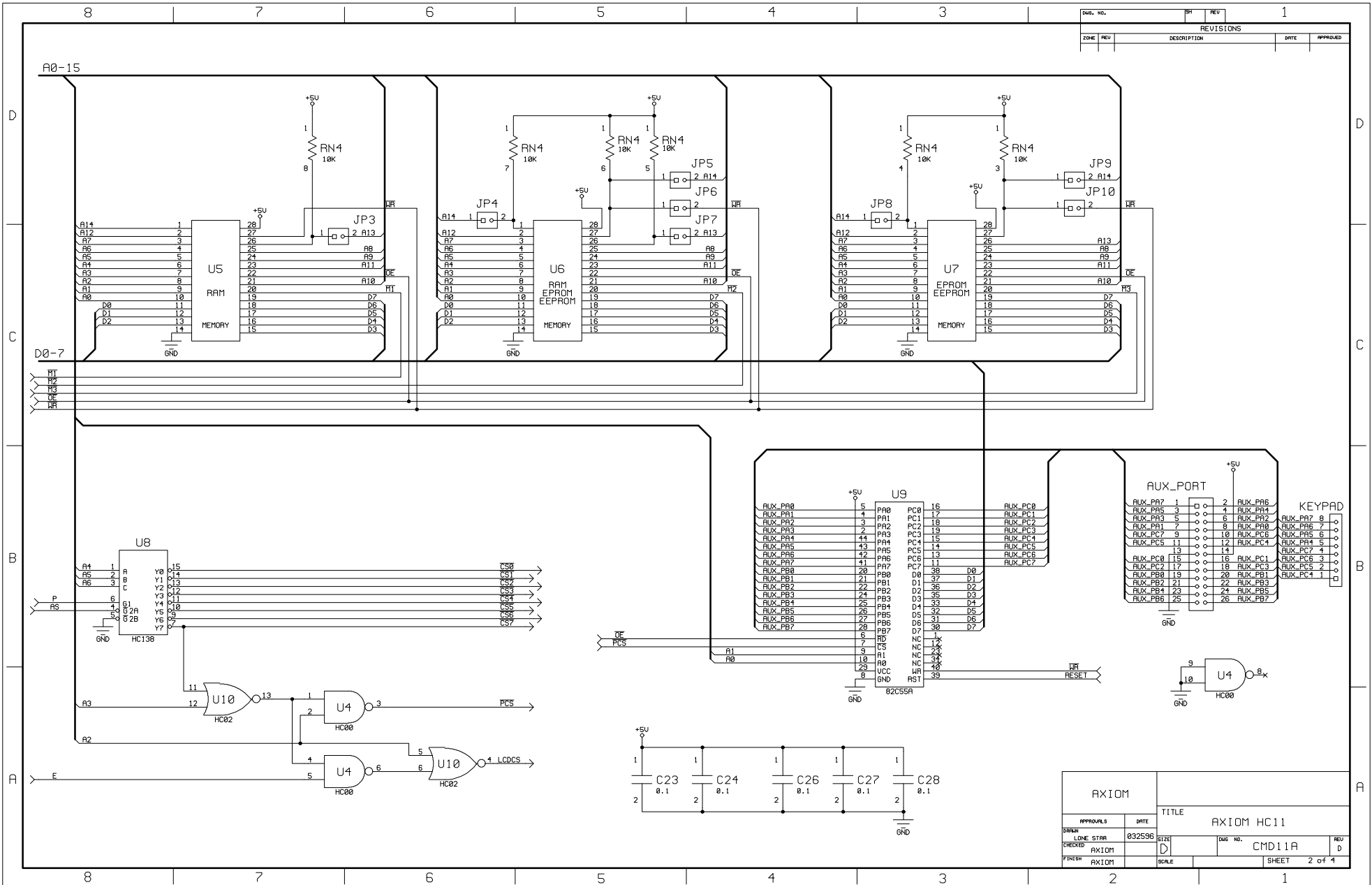
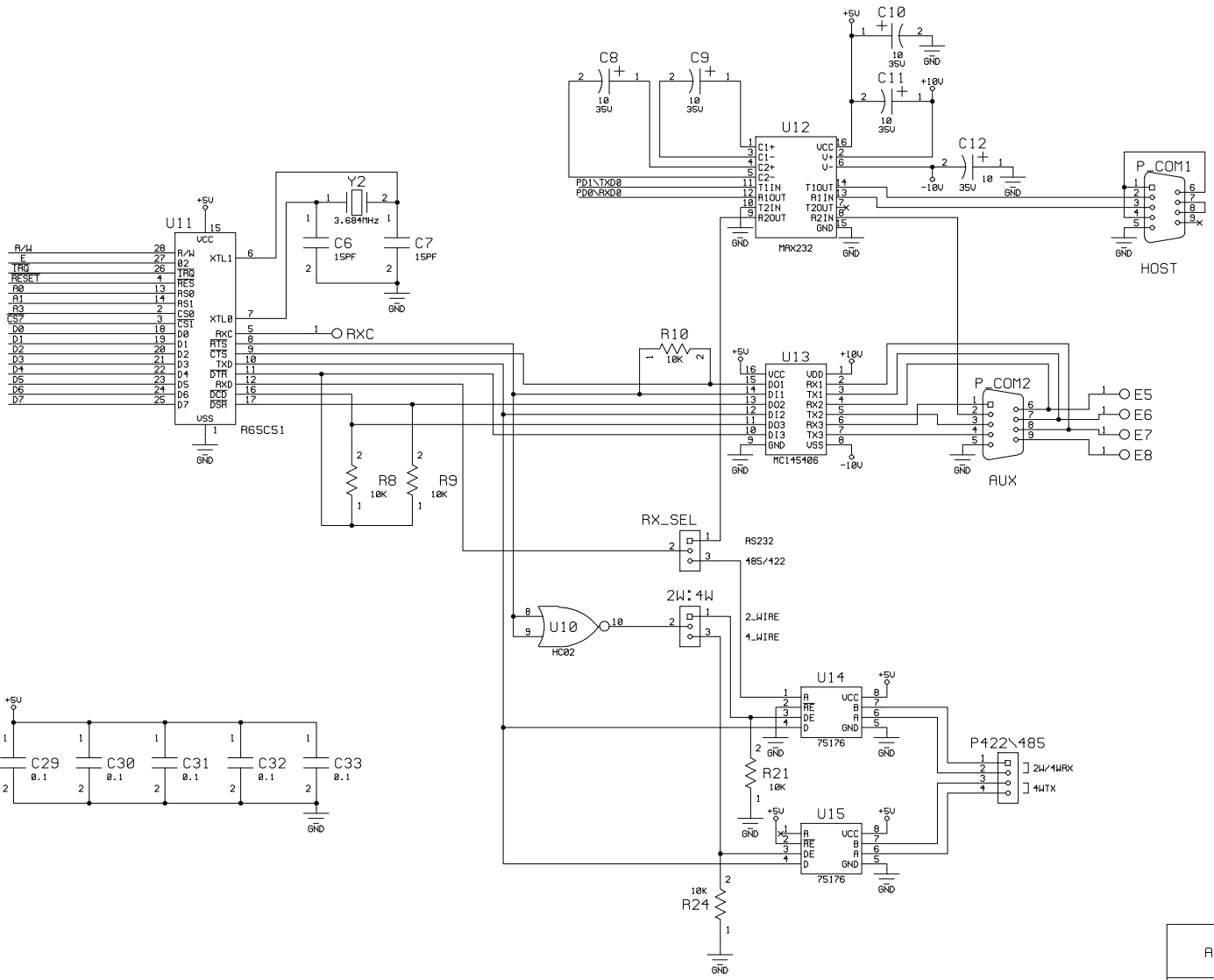


AXIOM		TITLE AXIOM HC11		
APPROVALS	DATE	SIZE	DWG NO.	REV
DRAWN LINE STAFF	032596	D	CMD11A	D
CHECKED AXIOM		SCALE	SHEET	1 of 4
FINISH AXIOM				

Dwg. No.		REV		1	
ZONE	REV	DESCRIPTION	DATE	APPROVED	

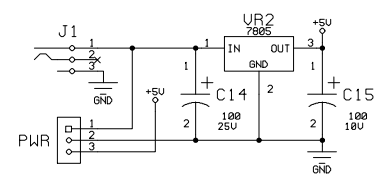
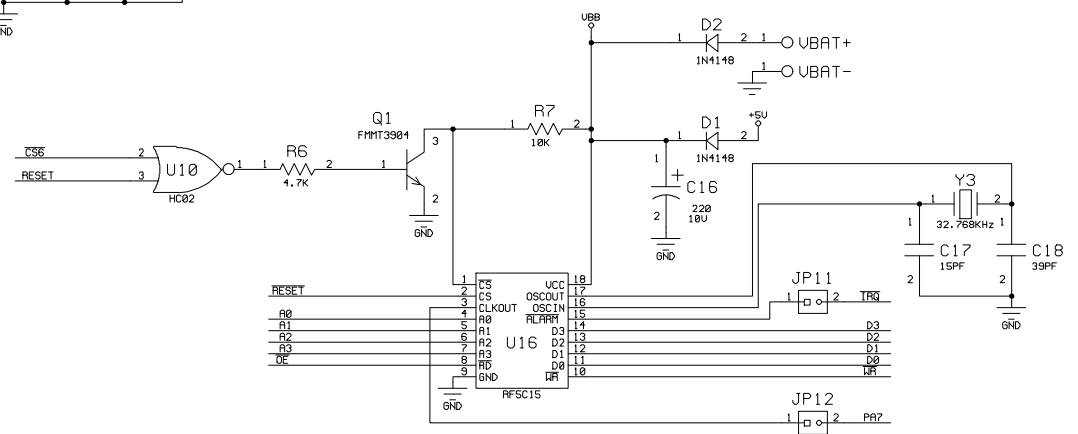
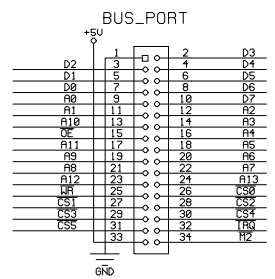
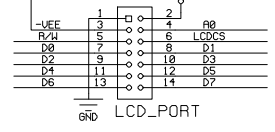
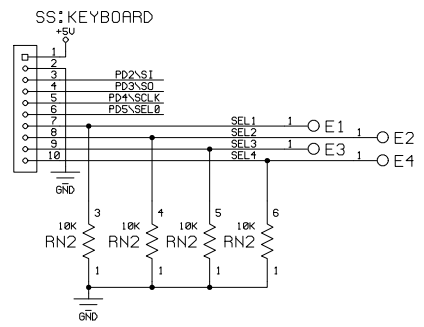
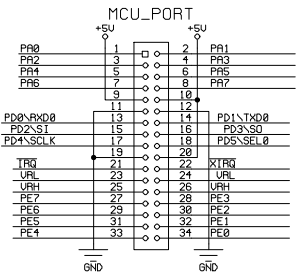


AXIOM		TITLE AXIOM HC11			
APPROVALS	DATE	SIZE	DWG. NO.	REV	
DRAWN LINE STAB	032596	D	CMD11A	D	
CHECKED AXIOM		SCALE	SHEET	2 of 4	
FINISH AXIOM					



AXIOM		TITLE AXIOM HC11		
APPROVALS	DATE	SIZE	DWG NO.	REV D
DRAWN AXIOM	032596	D	CMD11A	
CHECKED AXIOM		SCALE	SHEET	3 of 4

REV. NO.		REV	REV	1
ZONE	REV	DESCRIPTION	DATE	APPROVED



AXIOM		TITLE		
AXIOM		AXIOM HC11		
APPROVALS	DATE	SIZE	DWG NO.	REV
DRAWN	032596	D	CMD11A	D
CHECKED	AXIOM	SCALE	SHEET	4 of 4
FINISH	AXIOM			