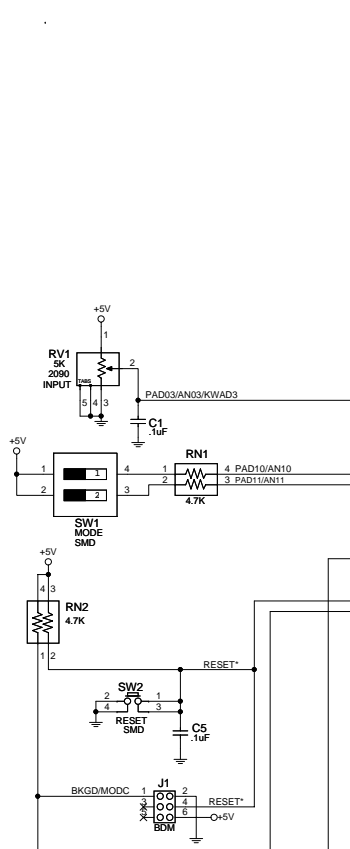
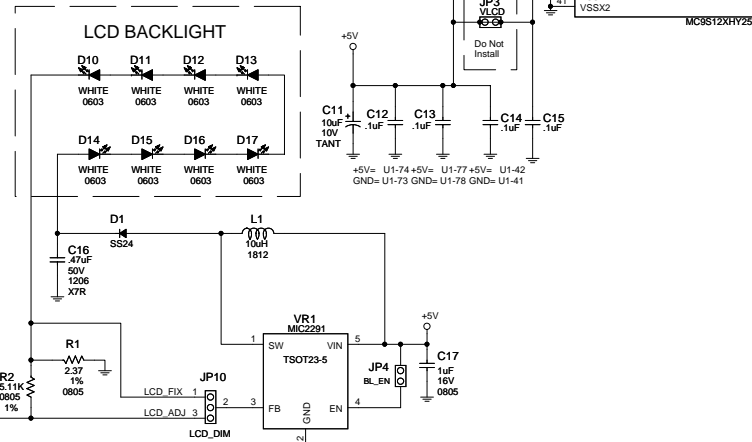


SHEET 3 MOTOR

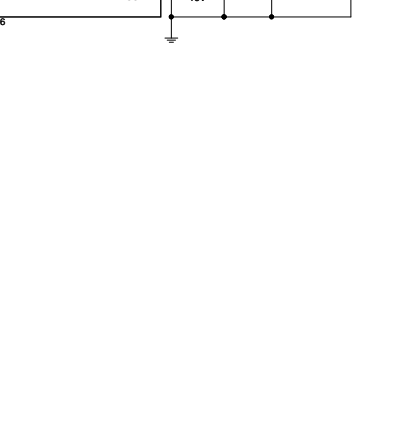


Pin	Signal	Sheet
9	PUI0IOC0_0MOC0MM0COSM	SHEET 3
10	PUI1MOC0P/MOC0SP	SHEET 3
11	PUI2IOC0_1MOC1MM0SINM	SHEET 3
12	PUI3MOC1P/M3SINP	SHEET 3
13	PUI4IOC0_2M1C0MM1COSM	SHEET 3
14	PUI5M1C0P/M1C0SP	SHEET 3
15	PUI6IOC0_3M1C1MM1SINM	SHEET 3
16	PUI7M1C1P/M1SINP	SHEET 3
17	PVI0MOS0P/M4/SCLIOC1_0M2C0MM2COSM	SHEET 3
18	PVI1PVM6/MOSIM2C0P/M2C0SP	SHEET 3
19	PVI2PVM6/SCKIOC1_1M2C1MM2SINM	SHEET 3
20	PVI3SS/PWM7/SDAM2C1P/M2SINP	SHEET 3
21	PVI4IOC1_2M3C0MM3COSM	SHEET 3
22	PVI5M3C0P/M3C0SP	SHEET 3
23	PVI6IOC1_3M3C1MM3SINM	SHEET 3
24	PVI7M3C1P/M3SINP	SHEET 3
108	VBATT MON	SHEET 3
109	IGN MON	SHEET 3
110	+5V MON	SHEET 3
111	PAD03/AN03/KWAD3	SHEET 3
112	SELECT SW	SHEET 3
1	MENU SW	SHEET 3
2	RIGHT SW	SHEET 3
3	LEFT SW	SHEET 3
4	OIL LED	SHEET 3
5	HI BEAM LED	SHEET 3
6	PAD10/AN10	SHEET 3
7	PAD11/AN11	SHEET 3

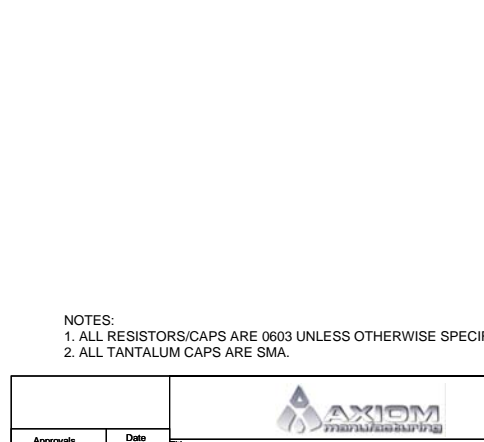
Pin	Signal	Sheet
3	LIN RxD	SHEET 2
4	LIN TxD	SHEET 2
43	RXCAN	SHEET 2
44	TXCAN	SHEET 2
47	SPEED	SHEET 3
48	FUEL	SHEET 3
50	SOUND	SHEET 2
51	RESET*	SHEET 3
105	BKGD/MODC	SHEET 3
107	VDDAVRH	SHEET 3
108	VSSAVRL	SHEET 3
13	VDDM1	SHEET 3
14	VSSM1	SHEET 3
24	VSSM2	SHEET 3
99	VDD	SHEET 3
77	VDF	SHEET 3
78	VDR	SHEET 3
42	VDDX1	SHEET 3
104	VDDX2	SHEET 3
68	VSS1	SHEET 3
69	VSS2	SHEET 3
73	VSS3	SHEET 3
41	VSSX1	SHEET 3
42	VSSX2	SHEET 3



Pin	Signal	Sheet
29	PP0/PWM0/FP0	SHEET 3
30	PP1/PWM1/FP1	SHEET 3
31	PP2/PWM2/FP2	SHEET 3
32	PP3/PWM3/FP3	SHEET 3
33	PP4/PWM4/FP4	SHEET 3
34	PP5/PWM5/FP5	SHEET 3
35	PP6/PWM6/FP6	SHEET 3
36	PP7/PWM7/FP7	SHEET 3
52	PT0IOC1_4KW1/FP8	SHEET 3
53	PT1IOC1_5KW1/FP9	SHEET 3
54	PT2IOC1_6KW12/FP10	SHEET 3
55	PT3IOC1_7KW13/FP11	SHEET 3
56	PR4KWR4/FP12	SHEET 3
57	PT4IOC0_4KW14/FP13	SHEET 3
58	PT5IOC0_5KW15/FP14	SHEET 3
59	PT6IOC0_6KW16/FP15	SHEET 3
60	PT7IOC0_7KW17/FP16	SHEET 3
61	PR5/SDA/FP17	SHEET 3
62	PR6/SCL/FP18	SHEET 3
63	PH0MISORXD1/FP19	SHEET 3
64	PH1MOSITXD1/FP20	SHEET 3
65	PH2/ECLK/SCK/FP21	SHEET 3
66	PH3/SS/FP22	SHEET 3
75	PH4/FP23	SHEET 3
76	PH5/FP24	SHEET 3
83	PH6/FP25	SHEET 3
84	PH7/FP26	SHEET 3
85	PH8/FP27	SHEET 3
86	PH9/FP28	SHEET 3
87	PA0/RO/FP29	SHEET 3
88	PA1/XIRO/FP30	SHEET 3
89	PA2/FP31	SHEET 3
90	PA3/API_EXTCLK/XCLKS/FP32	SHEET 3
91	PA4/FP33	SHEET 3
92	PA5/FP34	SHEET 3
93	PA6/FP35	SHEET 3
94	PA7/FP36	SHEET 3
95	PB1/FP37	SHEET 3
96	PB2/FP38	SHEET 3
97	PB3/FP39	SHEET 3
100	PB4/BP0	SHEET 3
101	PB5/BP1	SHEET 3
102	PB6/BP2	SHEET 3
103	PB7/BP3	SHEET 3
45	PR0IOC0_6RXCAN1/KWR0	SHEET 3
46	PR1IOC0_7TXCAN1/KWR1	SHEET 3
37	PR2IOC1_6KWR2	SHEET 3
38	PR3IOC1_7KWR3	SHEET 3
69	RXDIOC0_2P/M4/PM0	SHEET 3
70	TXDIOC0_3P/M5/PM1	SHEET 3
71	IOC1_2P/M6/PM2	SHEET 3
72	IOC1_3P/M7/PM3	SHEET 3



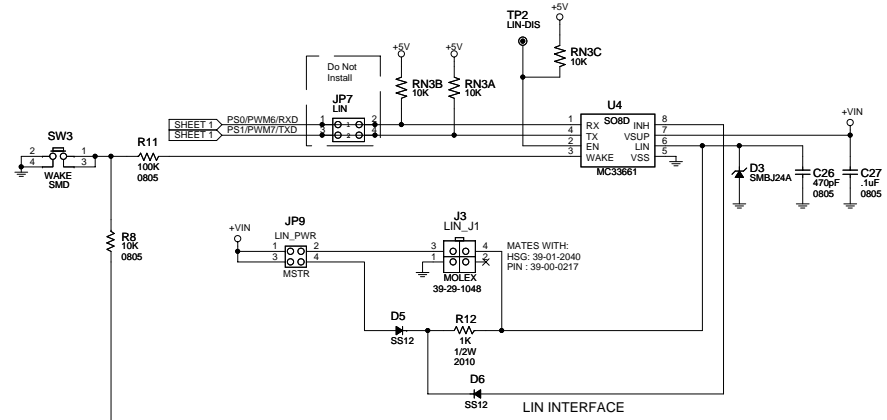
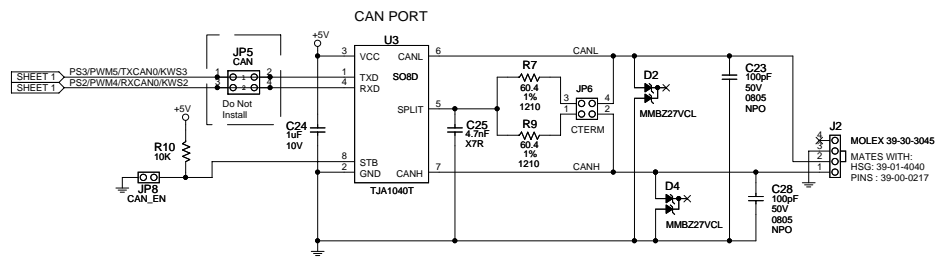
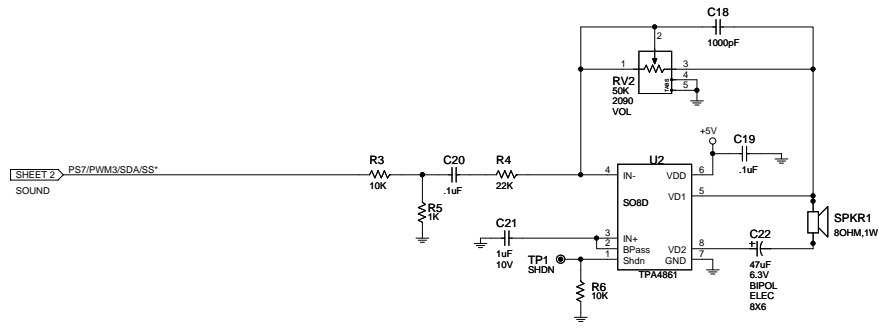
Pin	Signal	Sheet
1	PB7/BP3	SHEET 3
2	PB6/BP2	SHEET 3
3	PB5/BP1	SHEET 3
4	PB4/BP0	SHEET 3
5	PB3/FP39	SHEET 3
6	PB2/FP38	SHEET 3
7	PB1/FP37	SHEET 3
8	PA7/FP36	SHEET 3
9	PA6/FP35	SHEET 3
10	PA5/FP34	SHEET 3
11	PA4/FP33	SHEET 3
12	PA3/API_EXTCLK/XCLKS/FP32	SHEET 3
13	PA2/FP31	SHEET 3
14	PA1/XIRO/FP30	SHEET 3
15	PA0/RO/FP29	SHEET 3
16	PB0/FP28	SHEET 3
17	PR7/FP27	SHEET 3
18	PR7/FP26	SHEET 3
19	PH6/FP25	SHEET 3
20	PH5/FP24	SHEET 3
21	PH4/FP23	SHEET 3
22	PH3/SS/FP22	SHEET 3
A1	PB7/BP3	SHEET 3
A2	PB6/BP2	SHEET 3
A3	PB5/BP1	SHEET 3
A4	PB4/BP0	SHEET 3
A5	PB3/FP39	SHEET 3
A6	PB2/FP38	SHEET 3
A7	PB1/FP37	SHEET 3
A8	PA7/FP36	SHEET 3
A9	PA6/FP35	SHEET 3
A10	PA5/FP34	SHEET 3
A11	PA4/FP33	SHEET 3
A12	PA3/API_EXTCLK/XCLKS/FP32	SHEET 3
A13	PA2/FP31	SHEET 3
A14	PA1/XIRO/FP30	SHEET 3
A15	PA0/RO/FP29	SHEET 3
A16	PB0/FP28	SHEET 3
A17	PR7/FP27	SHEET 3
A18	PR7/FP26	SHEET 3
A19	PH6/FP25	SHEET 3
A20	PH5/FP24	SHEET 3
A21	PH4/FP23	SHEET 3
A22	PH3/SS/FP22	SHEET 3
44	PH0/MISORXD1/FP19	SHEET 3
43	PR6/SCL/FP18	SHEET 3
42	PR5/SDA/FP17	SHEET 3
41	PT7IOC0_7KW17/FP16	SHEET 3
40	PT6IOC0_6KW16/FP15	SHEET 3
39	PT5IOC0_5KW15/FP14	SHEET 3
38	PT4IOC0_4KW14/FP13	SHEET 3
37	PR4KWR4/FP12	SHEET 3
36	PT3IOC1_7KW13/FP11	SHEET 3
35	PT2IOC1_6KW12/FP10	SHEET 3
34	PT1IOC1_5KW11/FP9	SHEET 3
33	PT0IOC1_4KW10/FP8	SHEET 3
32	PP7/PWM7/FP7	SHEET 3
31	PP6/PWM6/FP6	SHEET 3
30	PP5/PWM5/FP5	SHEET 3
29	PP4/PWM4/FP4	SHEET 3
28	PP3/PWM3/FP3	SHEET 3
27	PP2/PWM2/FP2	SHEET 3
26	PP1/PWM1/FP1	SHEET 3
25	PP0/PWM0/FP0	SHEET 3
24	PH1MOSITXD1/FP20	SHEET 3
23	PH2/ECLK/SCK/FP21	SHEET 3



NOTES:
 1. ALL RESISTORS/CAPS ARE 0603 UNLESS OTHERWISE SPECIFIED.
 2. ALL TANTALUM CAPS ARE SMA.

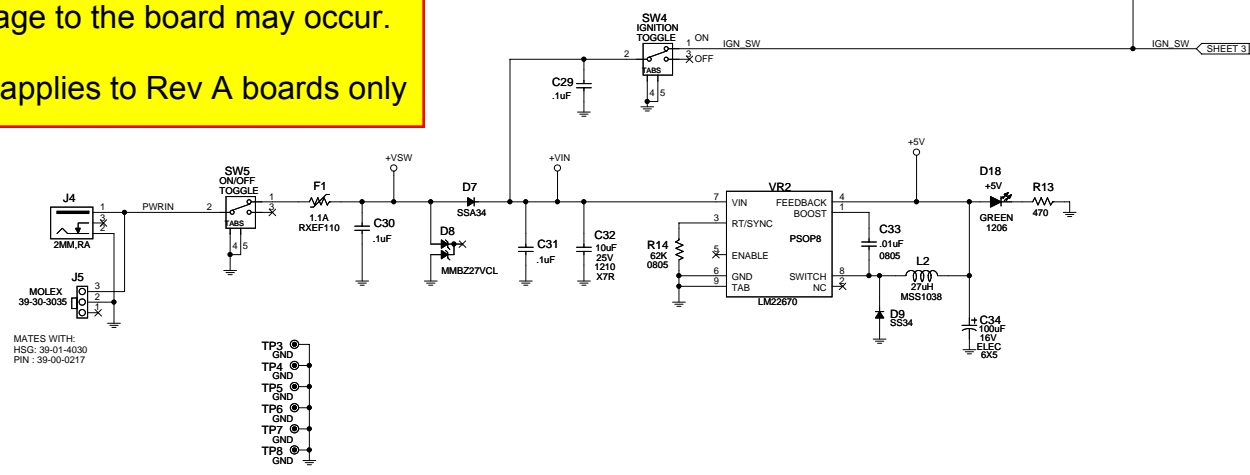
Approvals	Date	File	S12XHY-DEMO-V1 AXM-0510	
Drawn GLG	030110	Doc Number	DOC-0510-030	Rev A
Checked DSR	030110	Date:	Wednesday, March 17, 2010	Sheet 1 of 3
Finish				





CAUTION:
Do not apply Vin > +12VDC.
Damage to the board may occur.

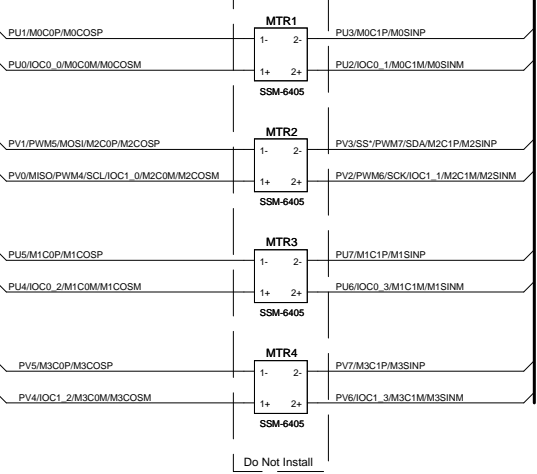
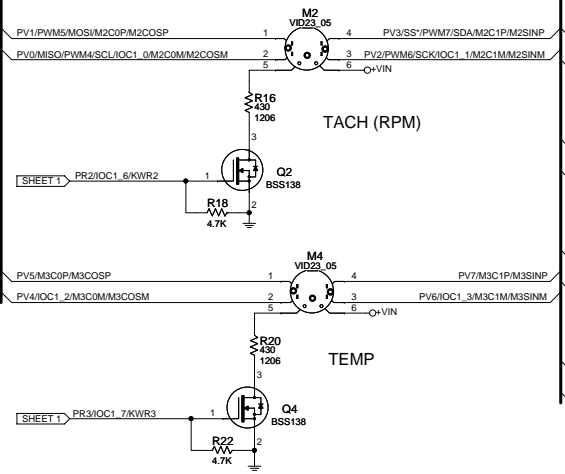
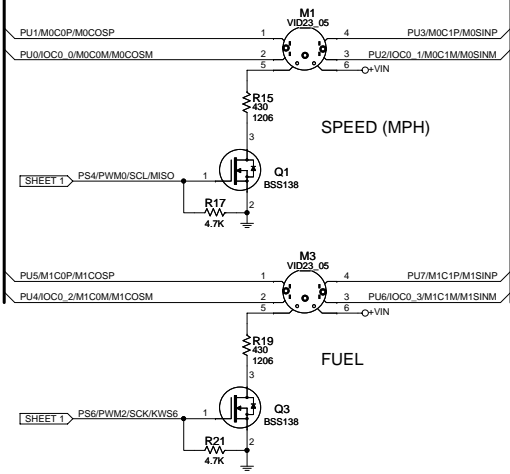
This applies to Rev A boards only



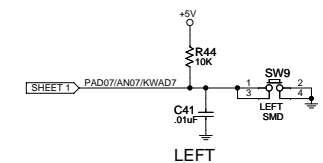
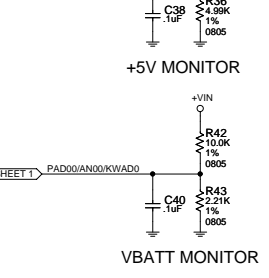
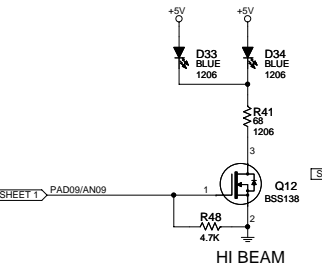
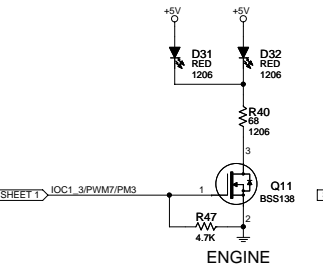
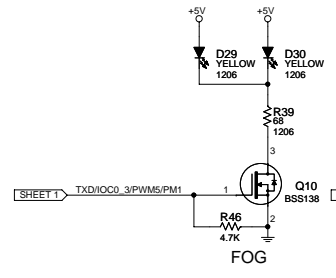
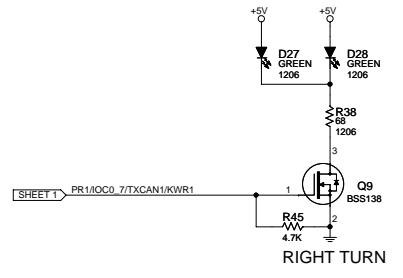
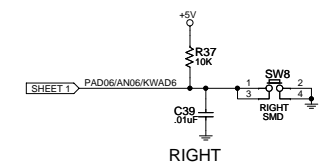
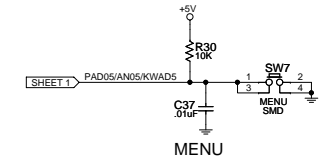
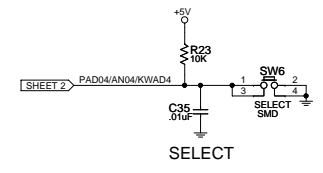
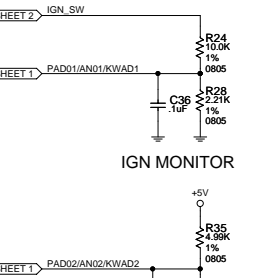
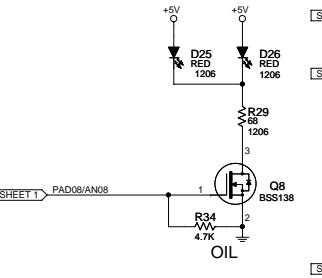
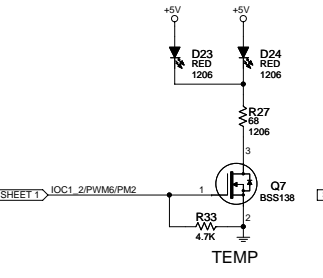
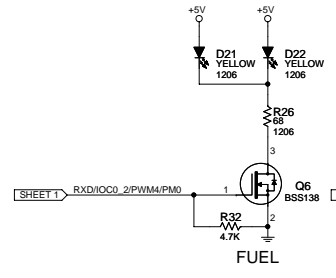
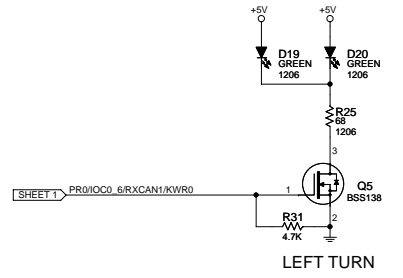
NOTES:
1. ALL RESISTORS/CAPS ARE 0603 UNLESS OTHERWISE SPECIFIED.
2. ALL TANTALUM CAPS ARE SMA.

Approvals		Date	Title	
Drawn	GLR	030110	S12XHY-DEMO-V1 AXM-0510	
Checked	DSR	030110	Size	Document Number
Finish			C	DOC-0510-030
			Date:	Wednesday, March 17, 2010
			Page:	2 of 3

SHEET 1 MOTOR



Do Not Install



NOTES:
 1. ALL RESISTORS/CAPS ARE 0603 UNLESS OTHERWISE SPECIFIED.
 2. ALL TANTALUM CAPS ARE SMA.

Approvals		Date	File	
Drawn	GLG	030110	S12XHY-DEMO-V1 AXM-0510	
Checked	DSR	030110	Size	Document Number
Finish			C	DOC-0510-030
Date: Wednesday, March 17, 2010			Sheet	3 of 3

