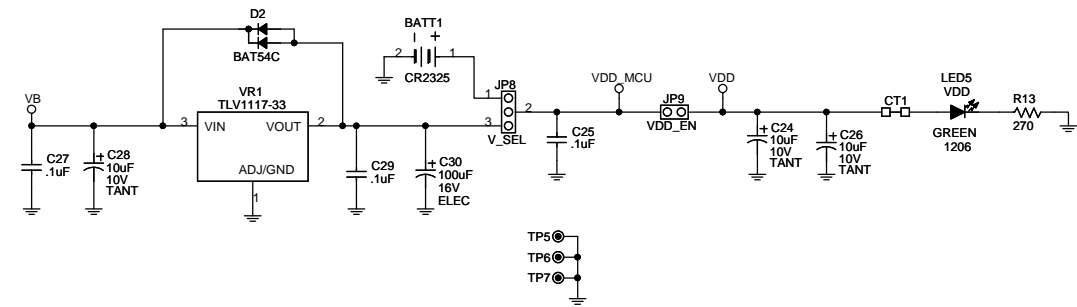
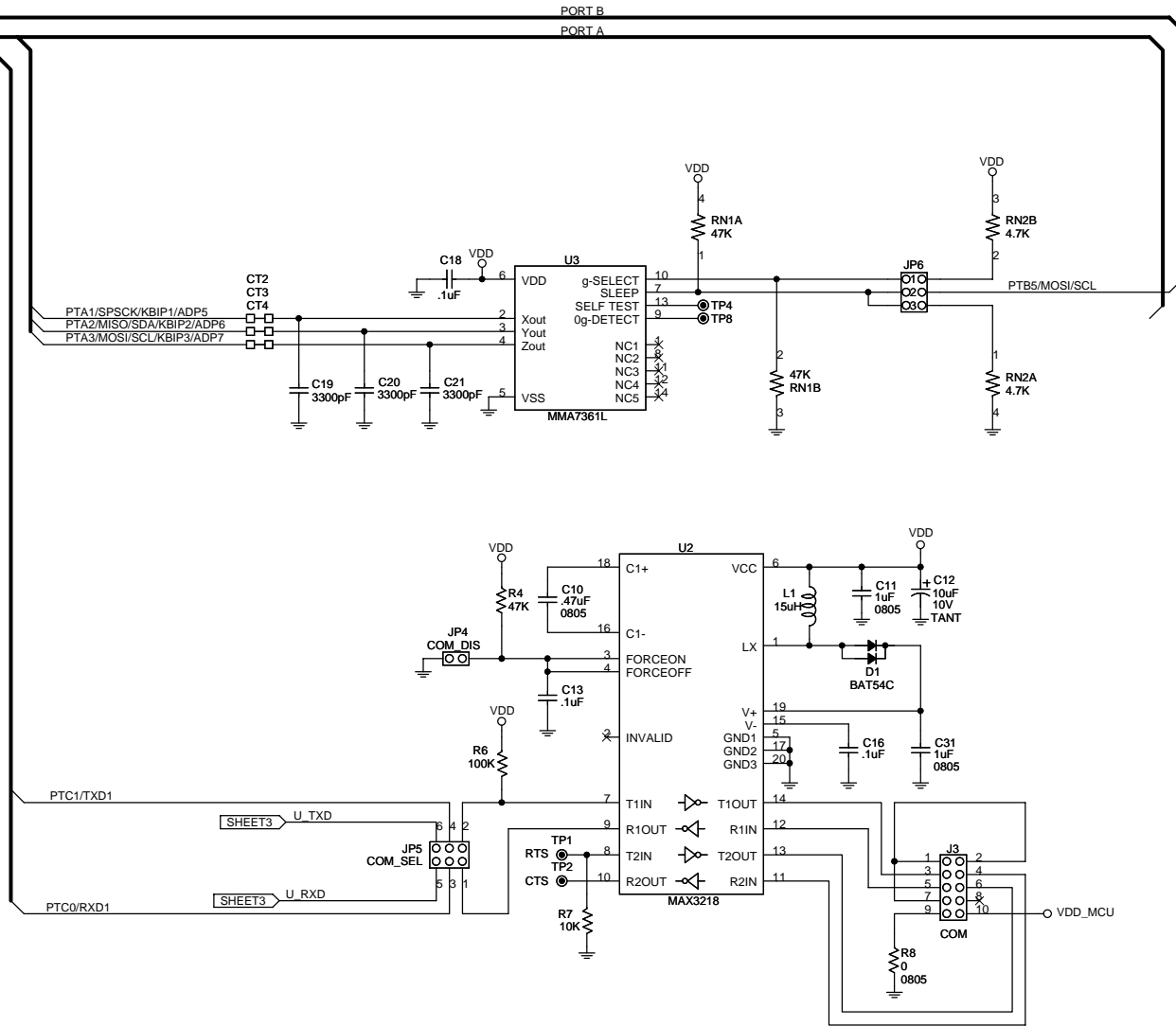
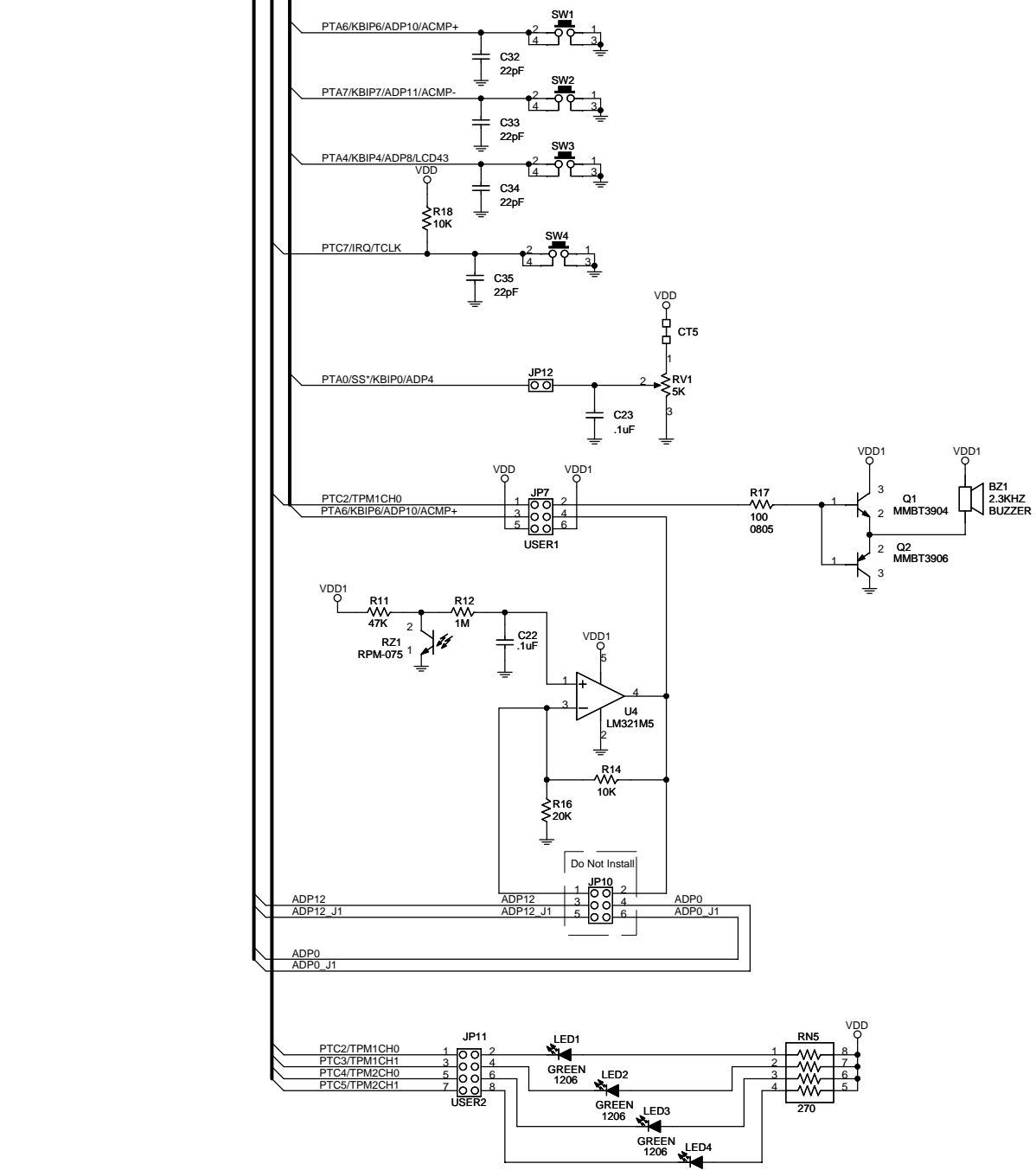


NOTE:

1. ALL RESISTORS AND CAPACITORS ARE 0603 UNLESS OTHERWISE INDICATED
2. TANTALUM CAPACITORS SMA UNLESS OTHERWISE INDICATED

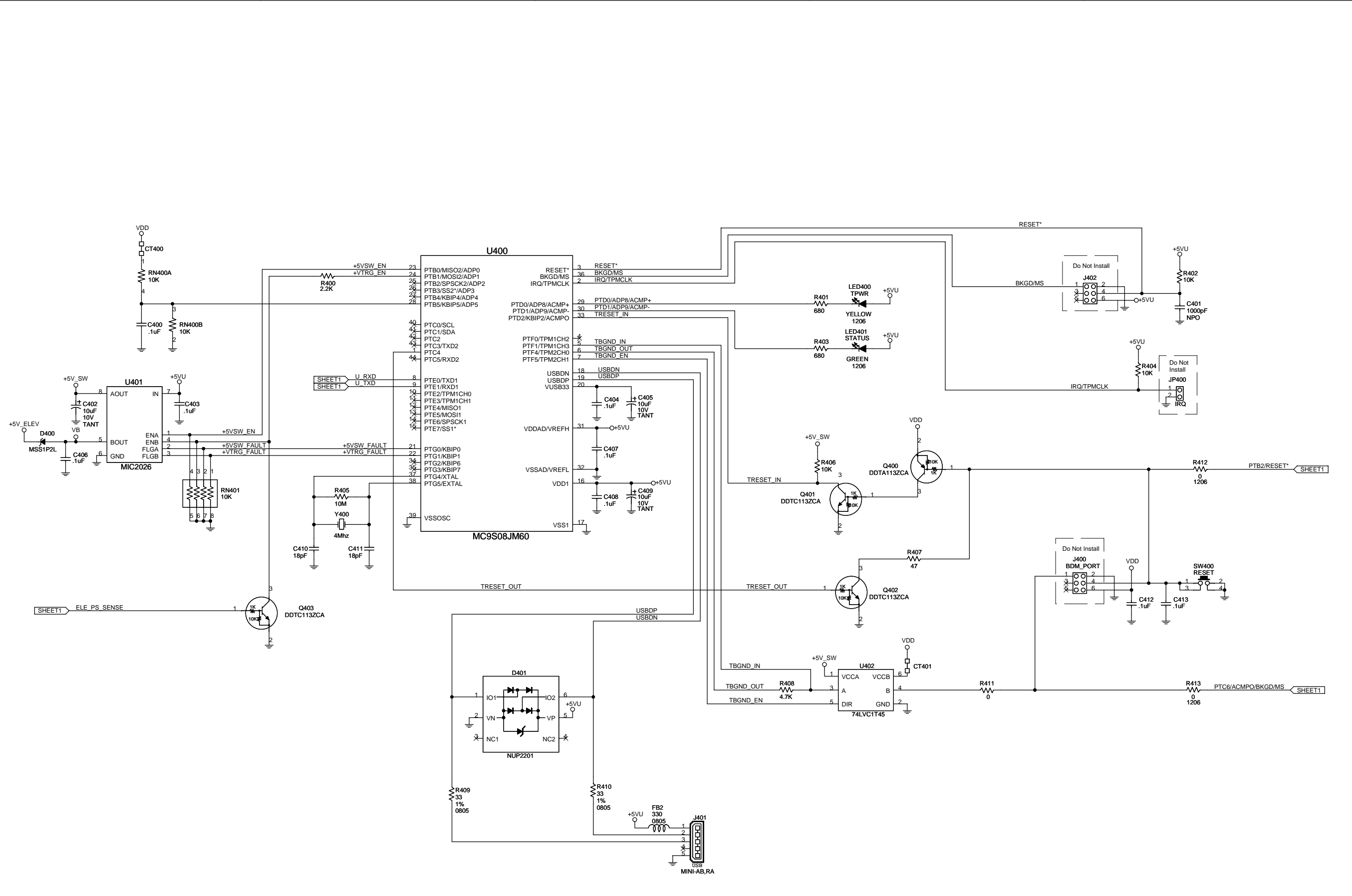
Approvals	Date
Drawn GLM	081408
Checked DSR	081408
Finish	
Title	
TWR-MC9S08LL/LH AXM-0500	
Size C	Document Number
	DOC-0500-030
Date: Tuesday, September 15, 2009	Sheet 1 of 3

SHEET1
SHEET1
SHEET1
SHEET1



NOTE:
1. ALL RESISTORS AND CAPACITORS ARE 0603 UNLESS OTHERWISE INDICATED
2. TANTALUM CAPACITORS SMA UNLESS OTHERWISE INDICATED

Approvals	Date
Drawn GLM	081408
Checked DSR	081408
Finish	
Title TWR-MC9S08LL/LH AXM-0500	
Document Number DOC-0500-030	
Date: Tuesday, September 15, 2009 Sheet 2 of 3	



- NOTE:
1. ALL RESISTORS AND CAPACITORS ARE 0603 UNLESS OTHERWISE INDICATED
 2. TANTALUM CAPACITORS SMA UNLESS OTHERWISE INDICATED

		TWR-MC9S08LL/LH AXM-0500															
<table border="1"> <tr> <th>Approvals</th> <th>Date</th> </tr> <tr> <td>Drawn GLM</td> <td>081409</td> </tr> <tr> <td>Checked DSR</td> <td>081409</td> </tr> <tr> <td>Finish</td> <td></td> </tr> </table>	Approvals	Date	Drawn GLM	081409	Checked DSR	081409	Finish		<table border="1"> <tr> <th>Title</th> <th>Document Number</th> <th>Rev</th> </tr> <tr> <td>TWR-MC9S08LL/LH AXM-0500</td> <td>DOC-0500-030</td> <td>B</td> </tr> </table>	Title	Document Number	Rev	TWR-MC9S08LL/LH AXM-0500	DOC-0500-030	B	Date: Tuesday, September 15, 2009 Sheet 3 of 3	
Approvals	Date																
Drawn GLM	081409																
Checked DSR	081409																
Finish																	
Title	Document Number	Rev															
TWR-MC9S08LL/LH AXM-0500	DOC-0500-030	B															