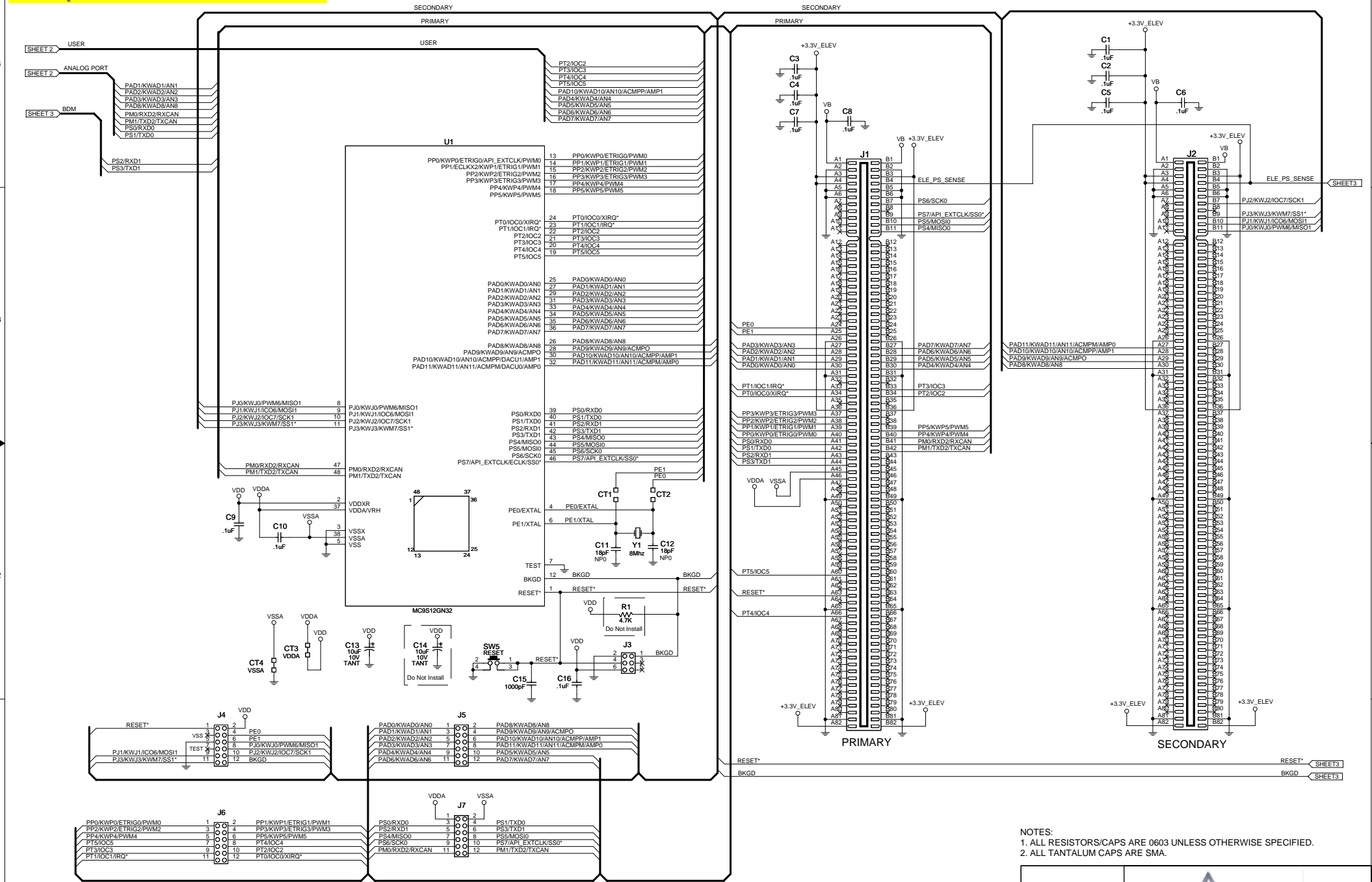
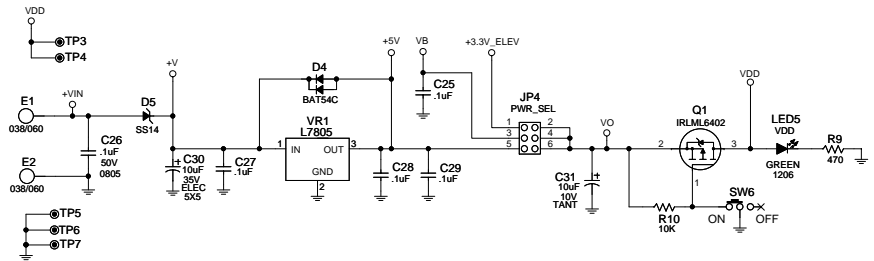
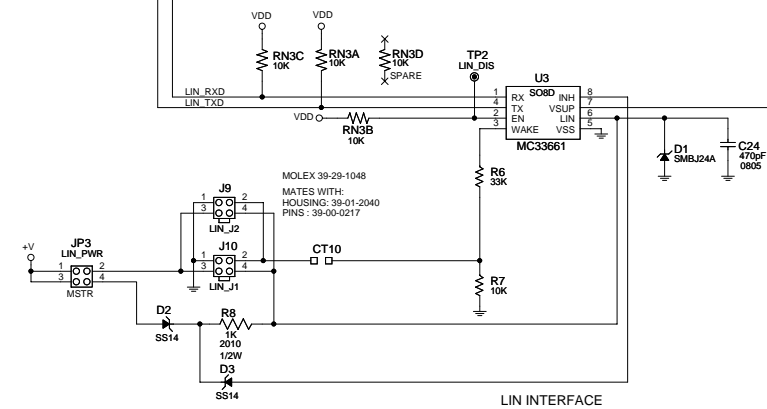
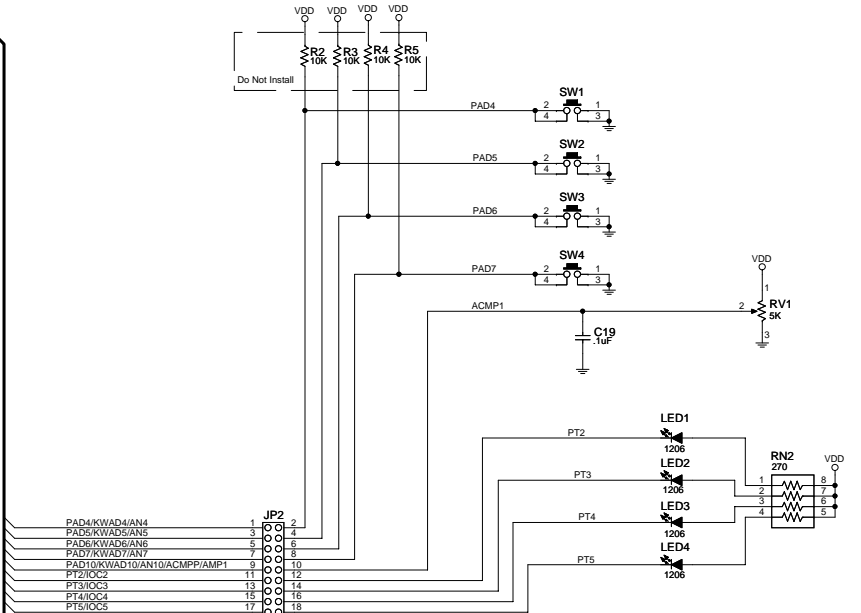
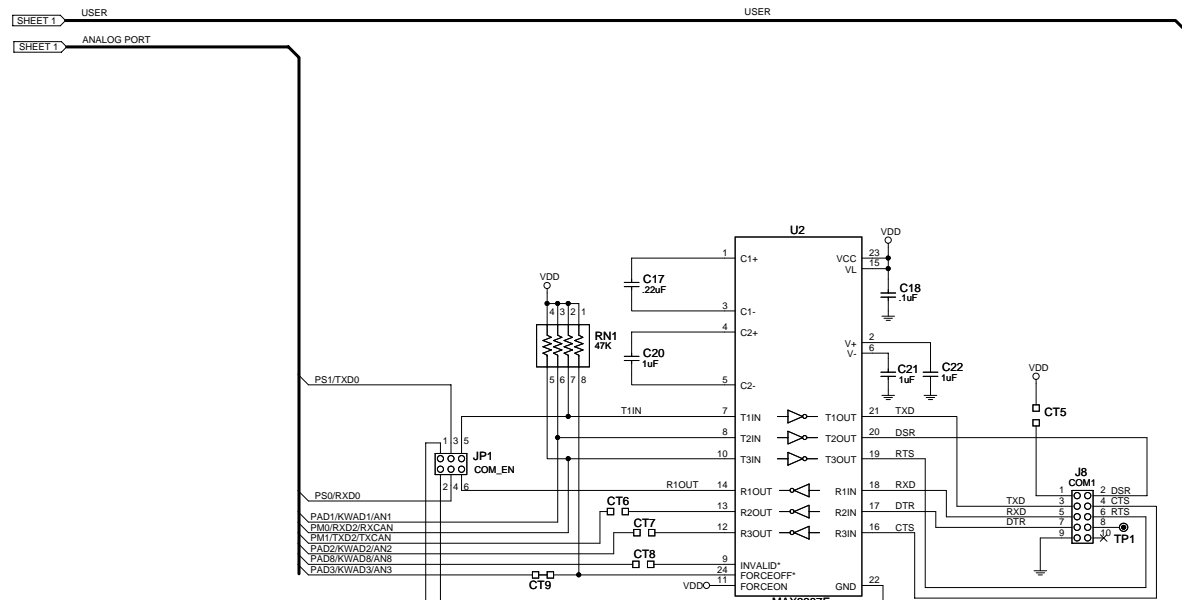


12/2011
 Signal Name at U1-30 is incorrect.
 Refer to MC9S12G Family RM for correct
 device pin-out




NOTES:
 1. ALL RESISTORS/CAPS ARE 0603 UNLESS OTHERWISE SPECIFIED.
 2. ALL TANTALUM CAPS ARE SMA.

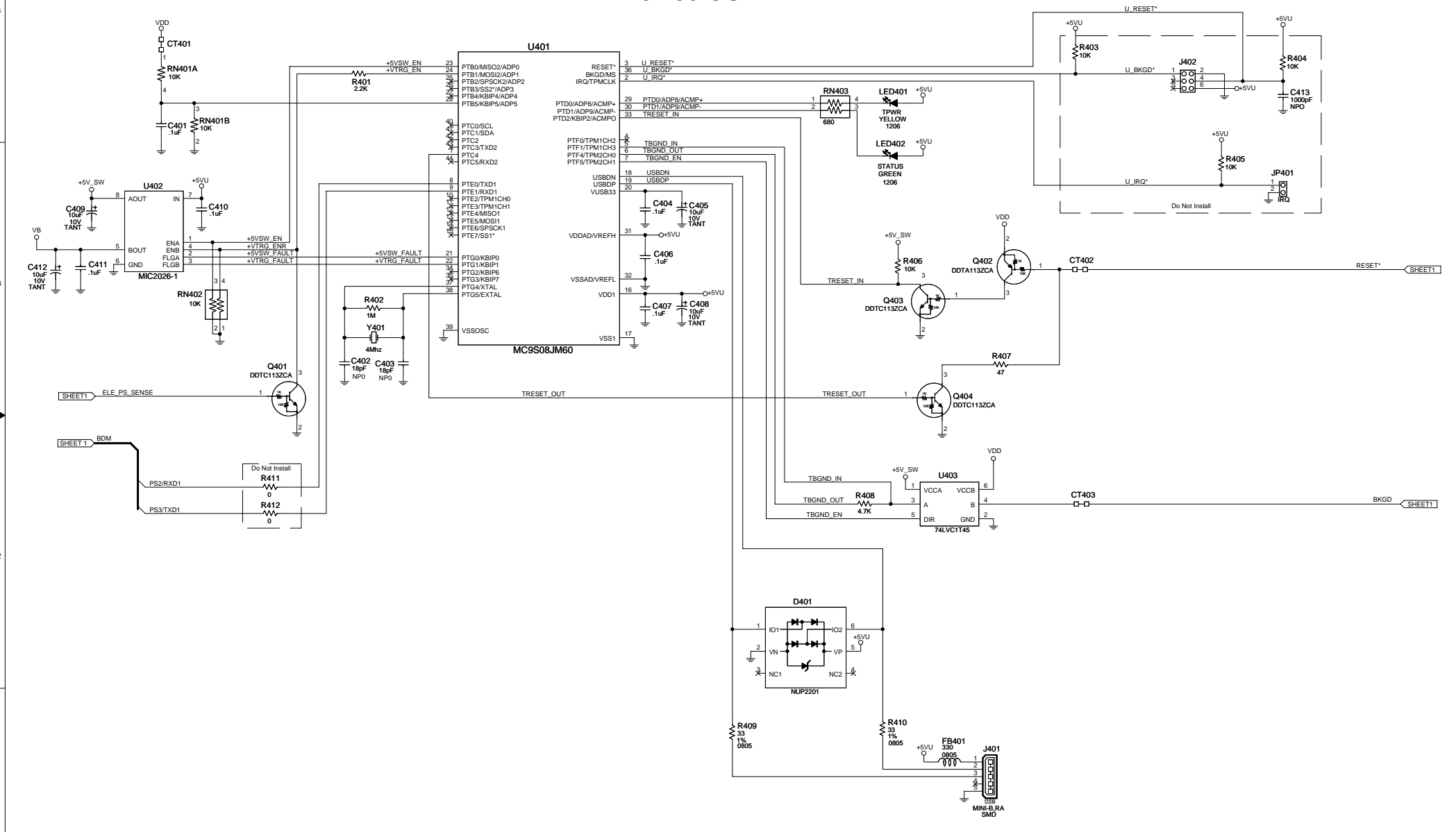
Approvals		Date	File	
Drawn GLG		051710	TWR-S12GN32	
Checked DSR	051710	Size C	Document Number	DOC-0520-030
Finish		Date: Wednesday, May 26, 2010	Sheet	1 of 3




NOTES:
 1. ALL RESISTORS/CAPS ARE 0603 UNLESS OTHERWISE SPECIFIED.
 2. ALL TANTALUM CAPS ARE SMA.

Approvals		Date	 TWR-S12GN32
Drawn	GLG	051710	
Checked	DSR	051710	Document Number DOC-0520-030
Finish			Date: Wednesday, May 26, 2010 Sheet 2 of 3

JM60 OSBDM



NOTES:
 1. ALL RESISTORS/CAPS ARE 0603 UNLESS OTHERWISE SPECIFIED.
 2. ALL TANTALUM CAPS ARE SMA.

		TWR-S12GN32	
Approvals Drawn: GLG Checked: DSR Finish:	Date 051710 051710	Title TWR-S12GN32	Document Number DOC-0520-030
Date: Wednesday, May 26, 2010		Sheet 3 of 3	