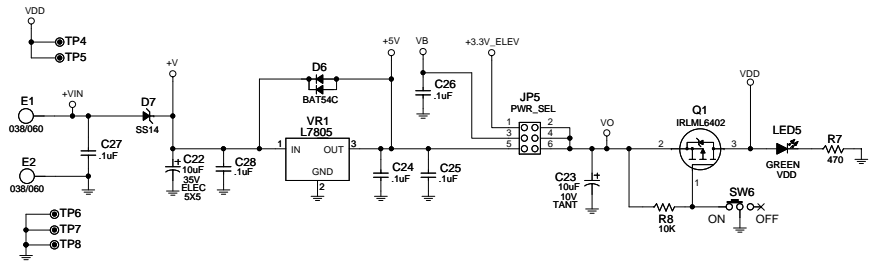
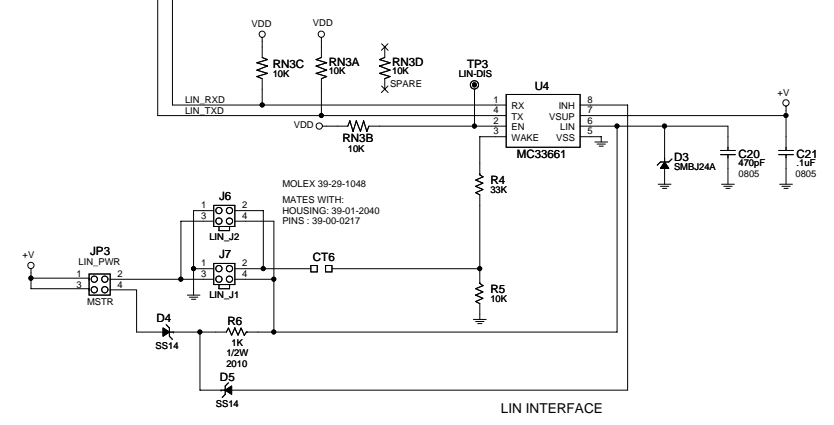
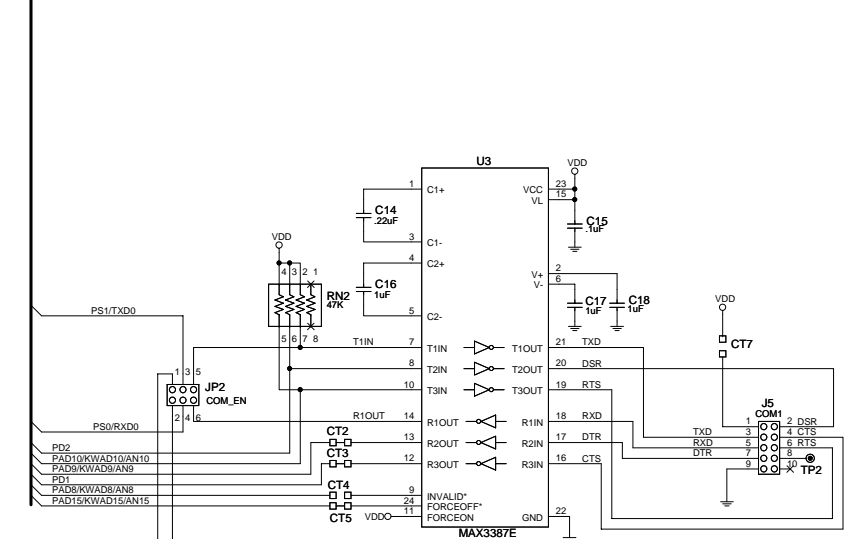
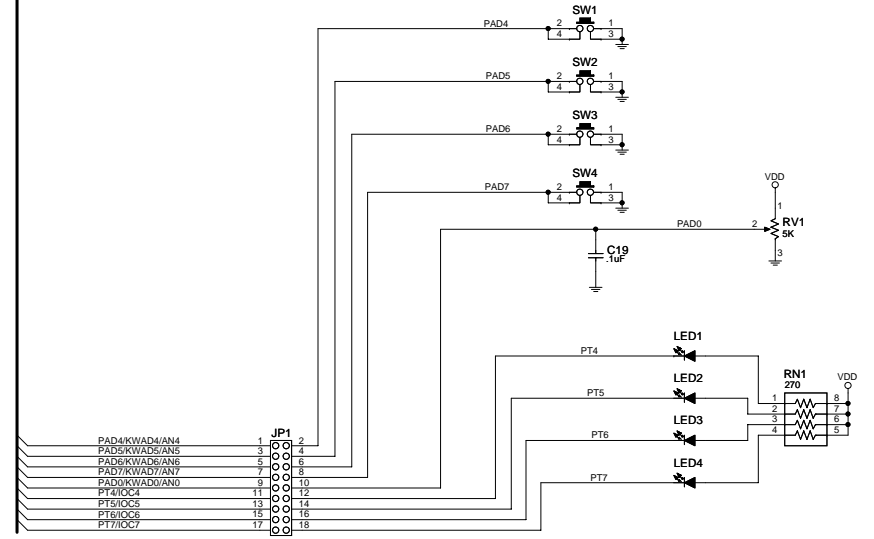


NOTES:  
 1. ALL RESISTORS/CAPS ARE 0603 UNLESS OTHERWISE SPECIFIED.  
 2. ALL TANTALUM CAPS ARE SMA.

Approvals		Date	File	
Drawn	GLG	050710	TWR-S12G128	
Checked	DSR	111609	Size	Document Number
Finish			C	DOC-0508-030
Date: Friday, May 14, 2010			Sheet	1 of 3

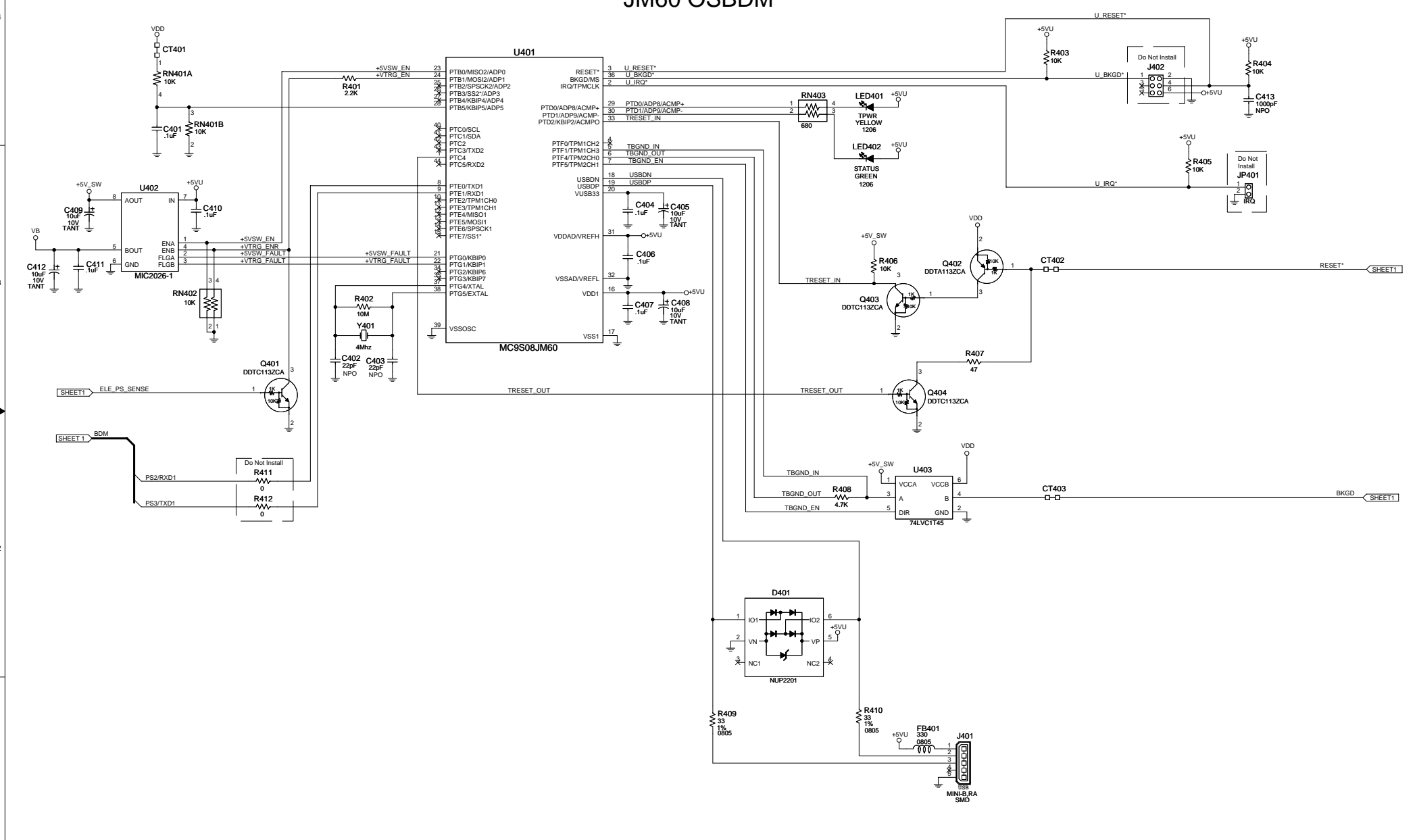


NOTES:  
 1. ALL RESISTORS/CAPS ARE 0603 UNLESS OTHERWISE SPECIFIED.  
 2. ALL TANTALUM CAPS ARE SMA.



Approvals	Date
Drawn GLG	050710
Checked DSR	111609
Finish	
File	TWR-S12G128
Size C	Document Number DOC-0508-030
Date: Friday, May 07, 2010	Rev B
	Sheet 2 of 3

# JM60 OSBDM



NOTES:  
 1. ALL RESISTORS/CAPS ARE 0603 UNLESS OTHERWISE SPECIFIED.  
 2. ALL TANTALUM CAPS ARE SMA.

Approvals		Date	Title	
Drawn	GLG	050710	TWR-S12G128	
Checked	DSR	111609	Size	Document Number
Finish			C	DOC-0508-030
		Date:	Friday, May 07, 2010	Sheet 3 of 3

