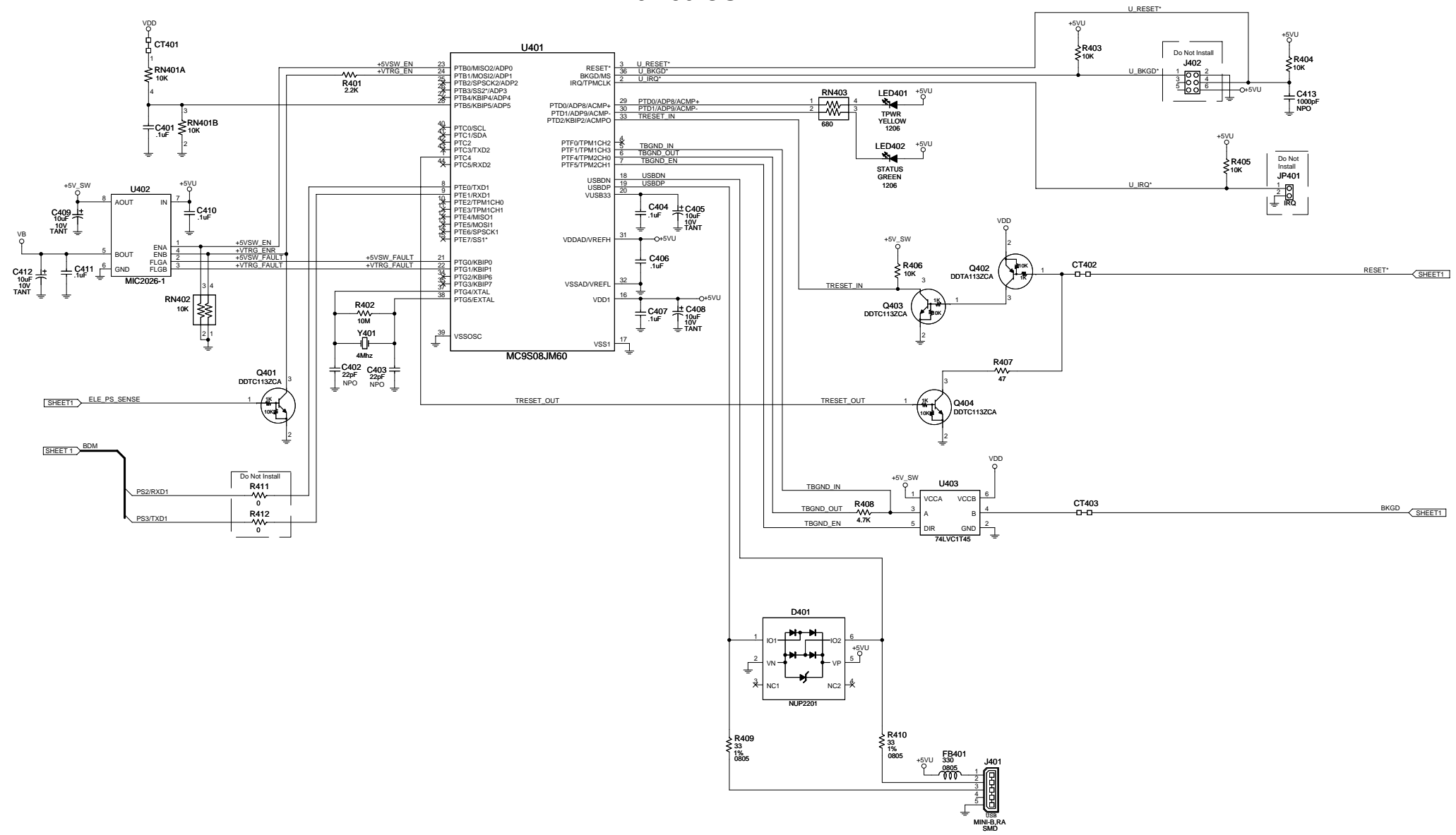


NOTES:
 1. ALL RESISTORS/CAPS ARE 0603 UNLESS OTHERWISE SPECIFIED.
 2. ALL TANTALUM CAPS ARE SMA.

Approvals	Date
Drawn: GLG	111609
Checked: DSR	111609
Finish	
File: TWR-S12G128	
Size: C	Document Number: DOC-0508-030
Date: Tuesday, January 05, 2010	Sheet: 2 of 3

JM60 OSBDM



NOTES:
 1. ALL RESISTORS/CAPS ARE 0603 UNLESS OTHERWISE SPECIFIED.
 2. ALL TANTALUM CAPS ARE SMA.

		Title	
		TWR-S12G128	
Drawn	GLG	Date	111609
Checked	DSR	Date	111609
Finish		Date	Tuesday, January 05, 2010
Document Number		DOC-0508-030	
Sheet		3 of 3	
Row		A	