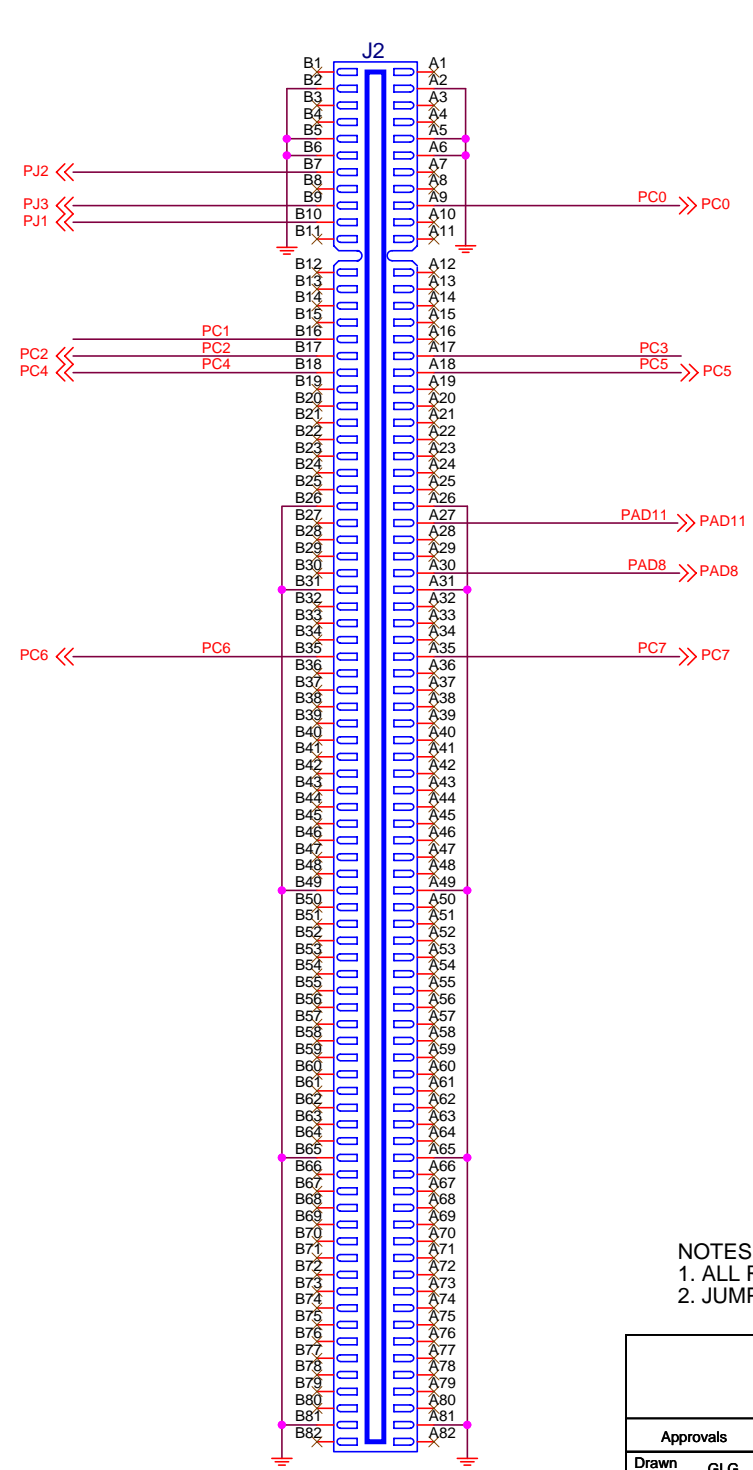
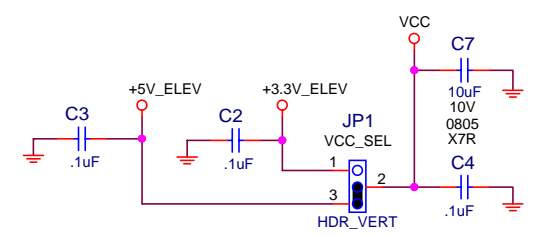


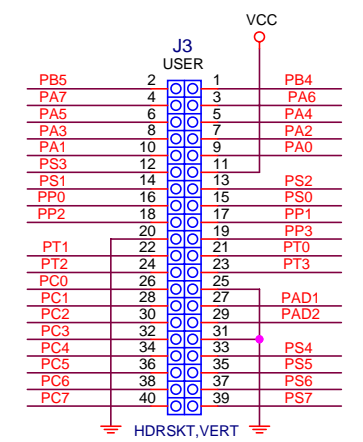
PRIMARY



SECONDARY



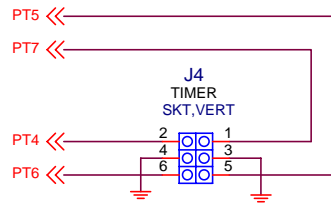
VCC_SELECT



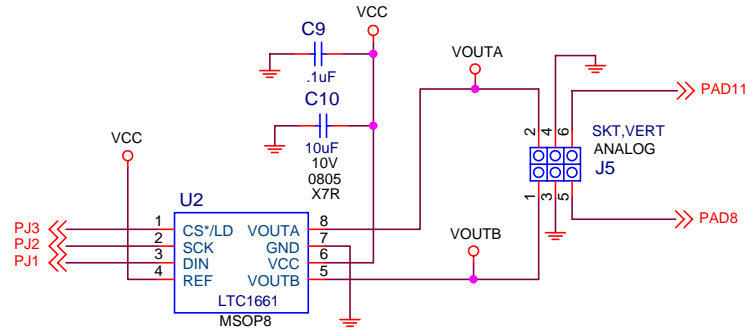
NOTE:
J3 SIGNAL ASSIGNMENTS
SUBJECT TO CHANGE

- NOTES:
1. ALL RESISTORS/CAPS ARE 0603 UNLESS OTHERWISE SPECIFIED.
2. JUMPERS SHOWN WITH DEFAULT SHUNT POSITION.

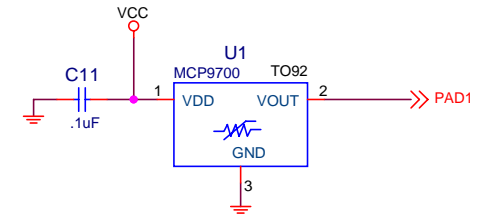
Approvals	Date	Title	
Drawn GLG	072312	TWR-DEV-PERIPH	
Checked DSR	072312	Size B	Document Number
Finish			DOC-0585-030
		Date:	Wednesday, August 01, 2012
		Sheet	1 of 2
		Rev	A



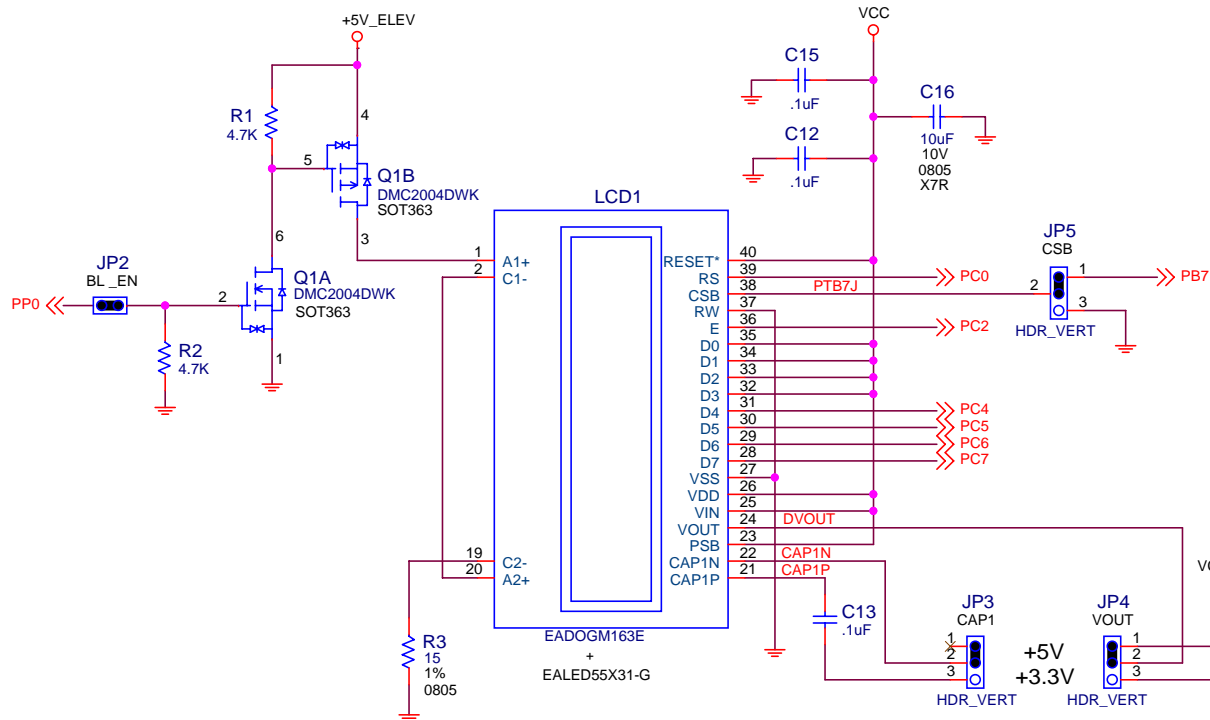
TIMER



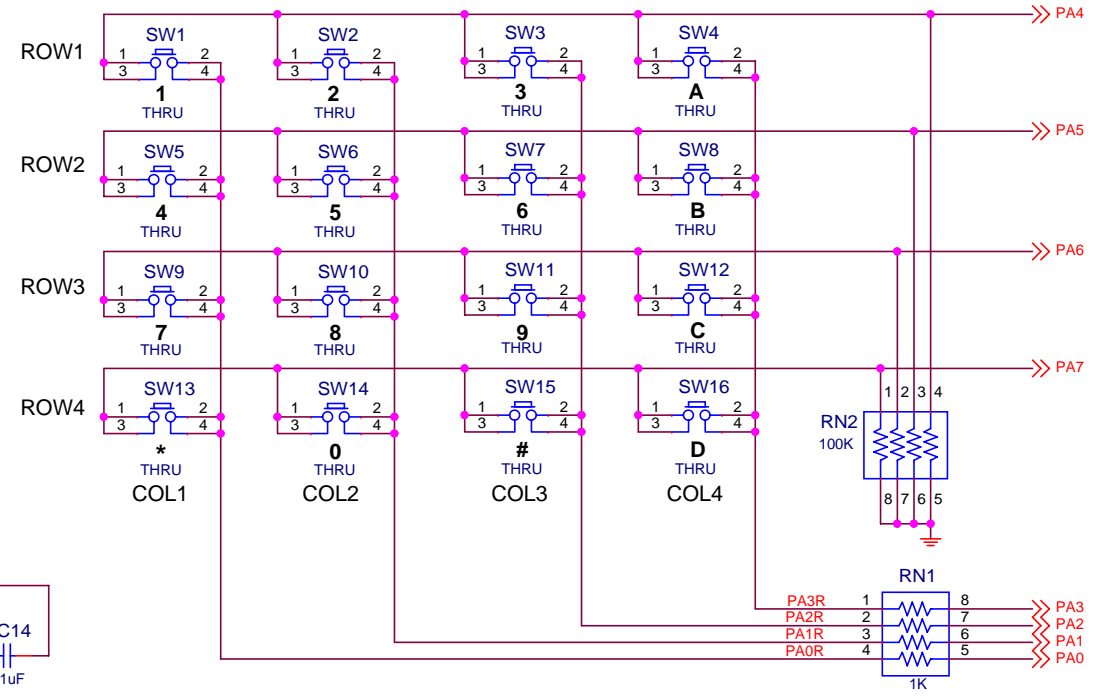
DAC



THERMISTOR
10mV/°C



LCD



KEYPAD

Approvals		Date	Title	
Drawn	GLG	072312	TWR-DEV-PERIPH	
Checked	DSR	072312	Size B	Document Number
Finish				DOC-0585-030
Date: Wednesday, August 01, 2012			Sheet	2 of 2
				Rev A

