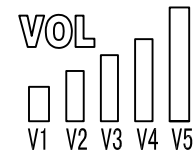
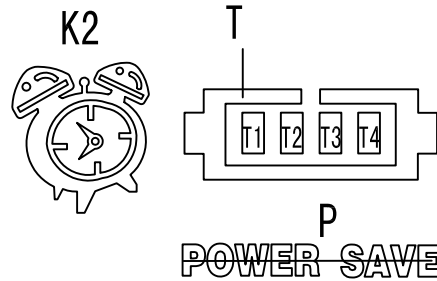
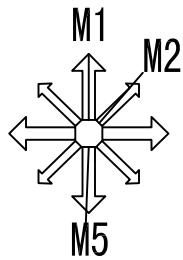


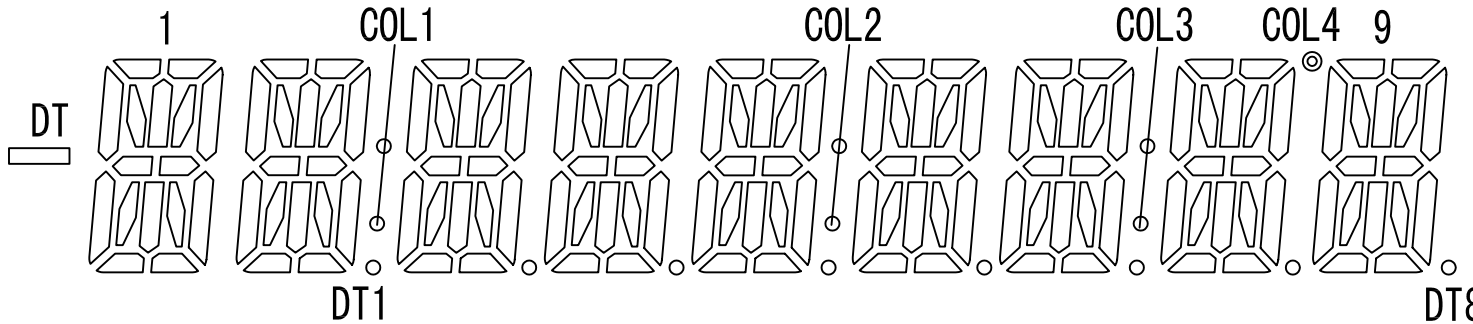
NOTES:

1. VIEWING ANGLE: 6:00 O' CLOCK
2. DISPLAY MODE: POSITIVE/REFLECTIVE/TN TYPE
3. DRIVING VOLTAGE: 3.0V, DUTY: 1/8, BIAS: 1/3, FREQUENCY: 64Hz
4. OPERATING TEMP.: 0° C TO 50° C
5. STORAGE TEMP.: -10° C TO 60° C
6. CONNECTOR: PIN TYPE
7. SOME CROSSING IN THE VIEW

6									
5	MODIFY BIAS	11/10-07	Y. L. F						
4	MODIFY FIGURE	18/07-07	Y. L. F						
3	MODIFY LOGIC	16/07-07	Y. L. F						
2	MODIFY LOGIC	11/07-07	X. W. D						
1	MODIFY LOGIC	06/07-07	G. W. H						
VER.	MODIFY CONTENTS	DATE	DESIGN	APP	BY				
				PART NO.	GD-4935P		TOLERANCES UNLESS OTHERWISE STATED X ± 0.20 XX ± 0.10 ANGLES $\pm 1^{\circ}$		APPLICATION:
				DESIGN BY	F. C 03/07-07		ALL DIMENSIONS IN MM UNLESS OTHERWISE STATED		<input type="checkbox"/> Instrument <input type="checkbox"/> Audio Equipment <input type="checkbox"/> Watch/Clock <input type="checkbox"/> Telephone <input type="checkbox"/> Automobile <input type="checkbox"/> Other <input type="checkbox"/> Home Appliances <input type="checkbox"/> Air-condition
				CHECKED BY			CUSTOMER: S-TEK		SAMPLE: <input type="checkbox"/> Yes <input checked="" type="checkbox"/> No
				APP			COMPOSE TYPE: <input type="checkbox"/> KING <input type="checkbox"/> LONG		SHEET 1 OF 2
							MM		



K6 PROGRAM

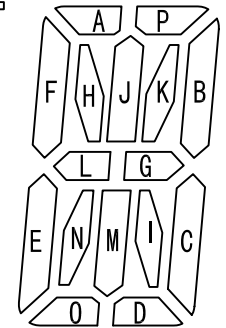


K5 CONTRAST

DATE

DATE&DAY

K4 VOLUME



PIN	1	2	3	4	5	6	7	8	9	10	11	12	13	14	15	16	17	18	19	20	21	22	23	24	25	26	27	28	29	30	31	32
COM1	COM1								1A	1P	2A	2P	3A	3P	4A	4P	K6	PM	COL4	M5	AMPS	9P	9A	8P	8A	7P	7A	6P	6A	5P	5A	L1
COM2		COM2							1F	1B	2F	2B	3F	3B	4F	4B	MODE	AM	P	M4	VOLTS	9B	9F	8B	8F	7B	7F	6B	6F	5B	5F	DT
COM3			COM3						1H	1K	2H	2K	3H	3K	4H	4K	K5	KWH	VOL	M3	K3	9K	9H	8K	8H	7K	7H	6K	6H	5K	5H	TIME
COM4				COM4					1J	1G	2J	2G	3J	3G	4J	4G	K4	V1	T	M2	DT8	9G	9J	8G	8J	7G	7J	6G	6J	5G	5J	DATE
COM5					COM5				1L	1C	2L	2C	3L	3C	4L	4C	DT3	V2	T4	M1	COL3	9C	9L	8C	8L	7C	7L	6C	6L	5C	5L	TEMP
COM6						COM6			1E	1I	2E	2I	3E	3I	4E	4I	COL2	V3	T3	M8	DT6	9I	9E	8I	8E	7I	7E	6I	6E	5I	5E	COL1
COM7							COM7		1N	1M	2N	2M	3N	3M	4N	4M	DT4	V4	T2	M7	DT7	9M	9N	8M	8N	7M	7N	6M	6N	5M	5N	DT1
COM8								COM8	1O	1D	2O	2D	3O	3D	4O	4D	DT5	V5	T1	M6	K2	9D	9O	8D	8O	7D	7O	6D	6O	5D	5O	DT2

6					
5	MODIFY BIAS	11/10-07	Y. L. F		
4	MODIFY FIGURE	18/07-07	Y. L. F	PART NO.	GD-4935P
3	MODIFY LOGIC	16/07-07	Y. L. F	DESIGN BY	F. C 03/07-07
2	MODIFY LOGIC	11/07-07	X. W. D	CHECKED BY	
1	MODIFY LOGIC	06/07-07	G. W. H	APP BY	
VER.	MODIFY CONTENTS	DATE	DESIGN		

TOLERANCES UNLESS OTHERWISE STATED

.X ±0.20

.XX ±0.10 ANGLES ±1°

ALL DIMENSIONS IN MM UNLESS OTHERWISE STATED

CUSTOMER: S-TEK

APPLICATION:

Instrument Audio Equipments Watch&Clock

Telephone Automobile Other

Home Appliances Air-condition

SAMPLE: Yes No

COMPOSE TYPE:

W/D X-STEP: # MM

A/LONG Y-STEP: # MM

SHEET 2 OF 2