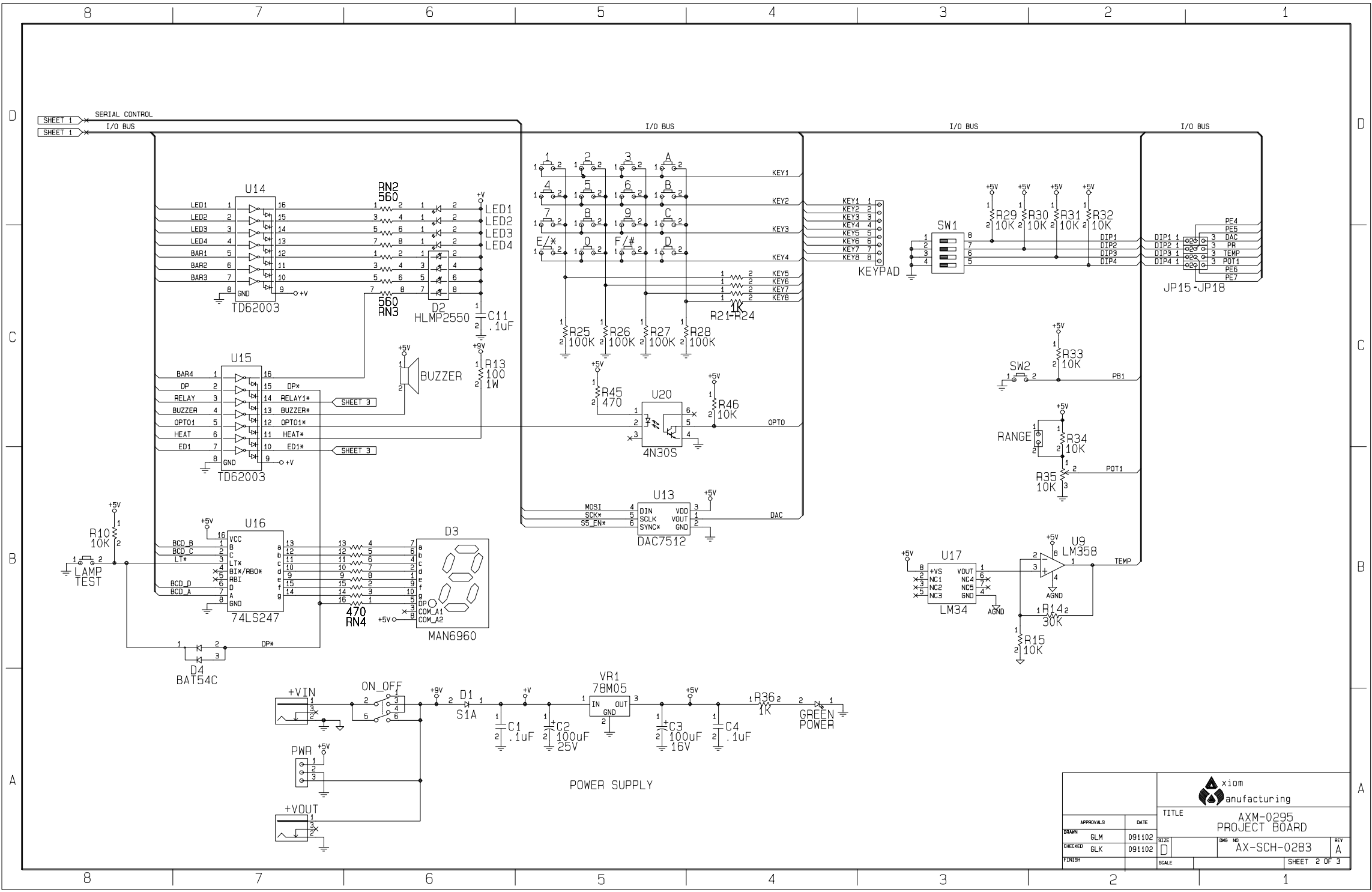
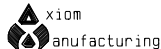


APPROVALS		DATE		TITLE	
DRAWN	GLM	092502		AXM-0295 PROJECT BOARD	
CHECKED	GLK	092502		DWG NO	AX-SCH-0283
DESIGNED				REV	B
SCALE				SHEET 1 OF 3	



APPROVALS		DATE		TITLE	
DRAWN	GLM	091102		AXM-0295 PROJECT BOARD	
CHECKED	GLK	091102		SIZE	D
FINISH				DWG NO	AX-SCH-0283
				REV	A
				SCALE	
					SHEET 2 OF 3

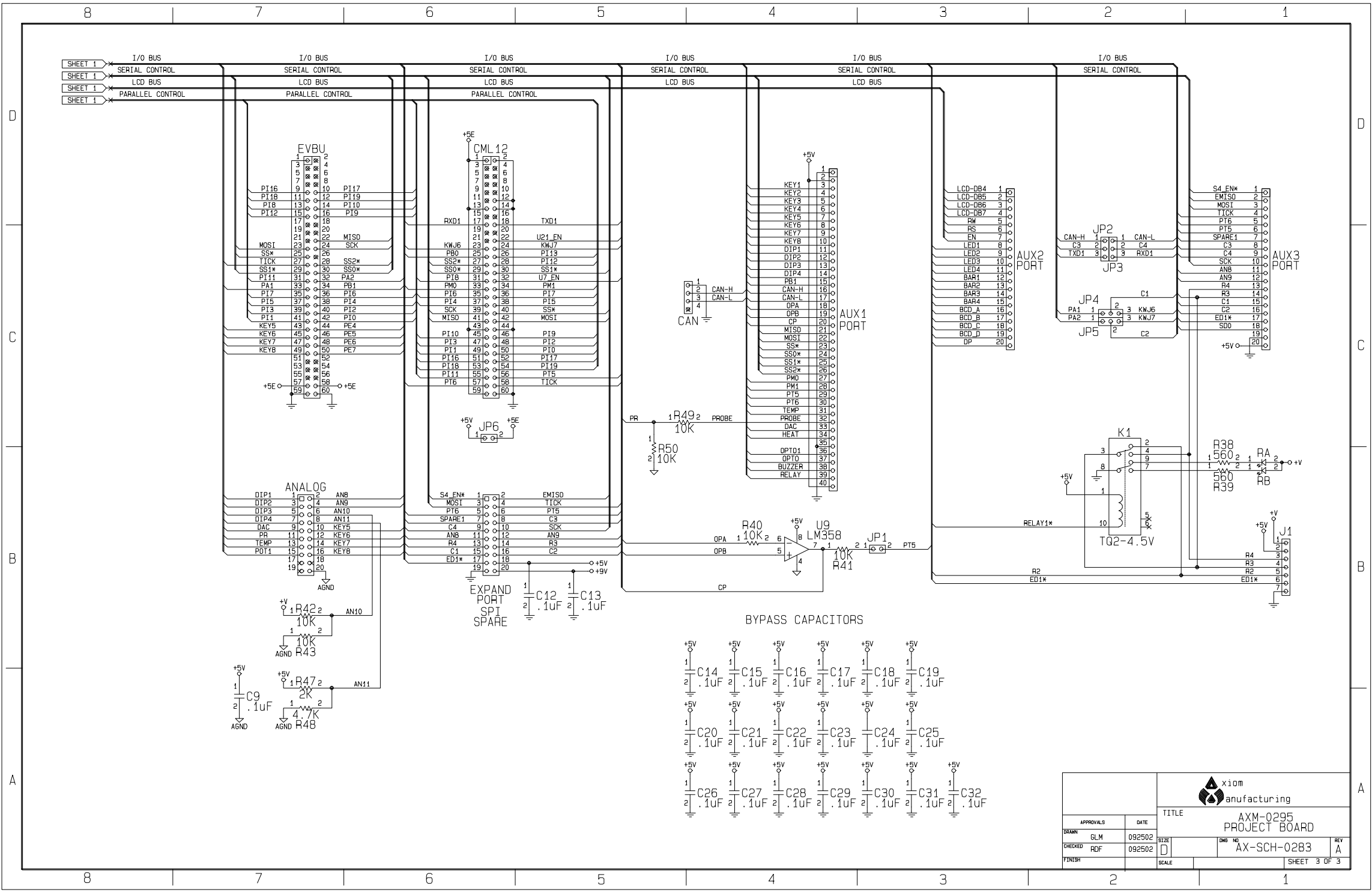


AXM-0295
PROJECT BOARD

AX-SCH-0283

A

SHEET 2 OF 3



APPROVALS		DATE	TITLE	
DRAWN	GLM	092502	AXM-0295 PROJECT BOARD	
CHECKED	PDF	092502	DWG NO	AX-SCH-0283
FINISH			SCALE	SHEET 3 OF 3