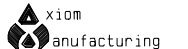
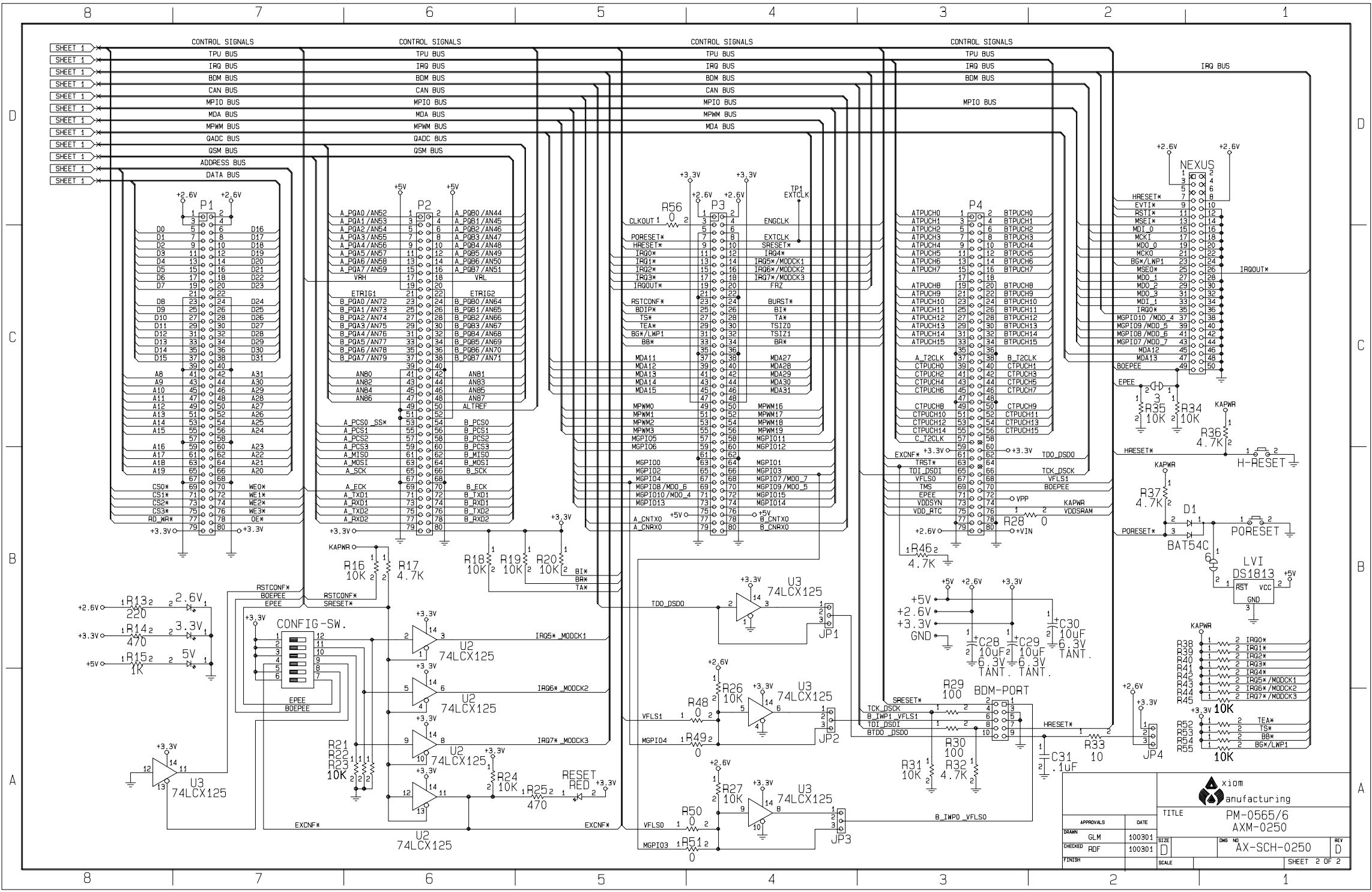


APPROVALS		DATE	TITLE	
DRAWN	GLM	100301	PM-0565/6 AXM-0250	
CHECKED	PDF	100301	SIZE	DWG NO
FINISH	SCALE		D	AX-SCH-0250
			REV	D
			SHEET 1 OF 2	

NOTES:
 ● OR () = TEST POINTS
 ⊗ OR ⊕ = CUT AWAY CONNECTION



PM-0565/6
AXM-0250



APPROVALS		DATE		TITLE	
DRAWN	GLM	100301		PM-0565/6 AXM-0250	
CHECKED	PDF	100301		DWG NO	AX-SCH-0250
DESIGNED				REV	D
SCALE				SHEET 2 OF 2	

