

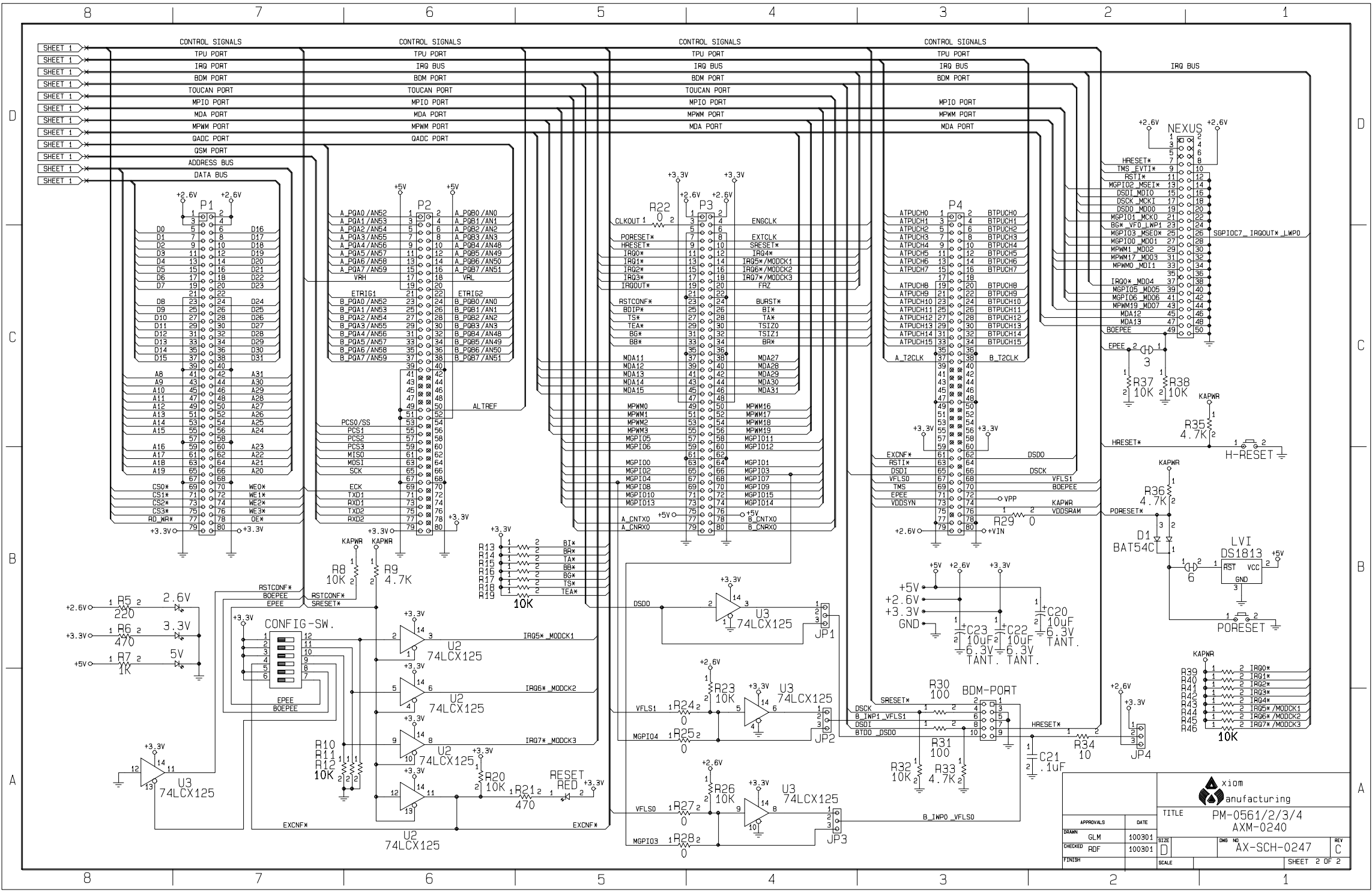
U1  
MPC561/2/3/4

**TI** **Manufacturing**

APPROVALS	DATE	TITLE
DRAWN GLM	100301	PM-0561/2/3/4 AXM-0240
CHECKED RDF	100301	DWG NO AX-SCH-0247
FTN/SR		SCALE

REV C  
SHEET 1 OF 2

NOTES:  
• OR • = TEST POINTS  
Ⓛ OR ⊗ = CUT AWAY CONNECTION



APPROVALS		DATE	TITLE	
DRAWN	GLM	100301	PM-0561/2/3/4 AXM-0240	
CHECKED	PDF	100301	DWG NO	AX-SCH-0247
DESIGNED	PDF	100301	REV	C
SCALE		SHEET 2 OF 2		