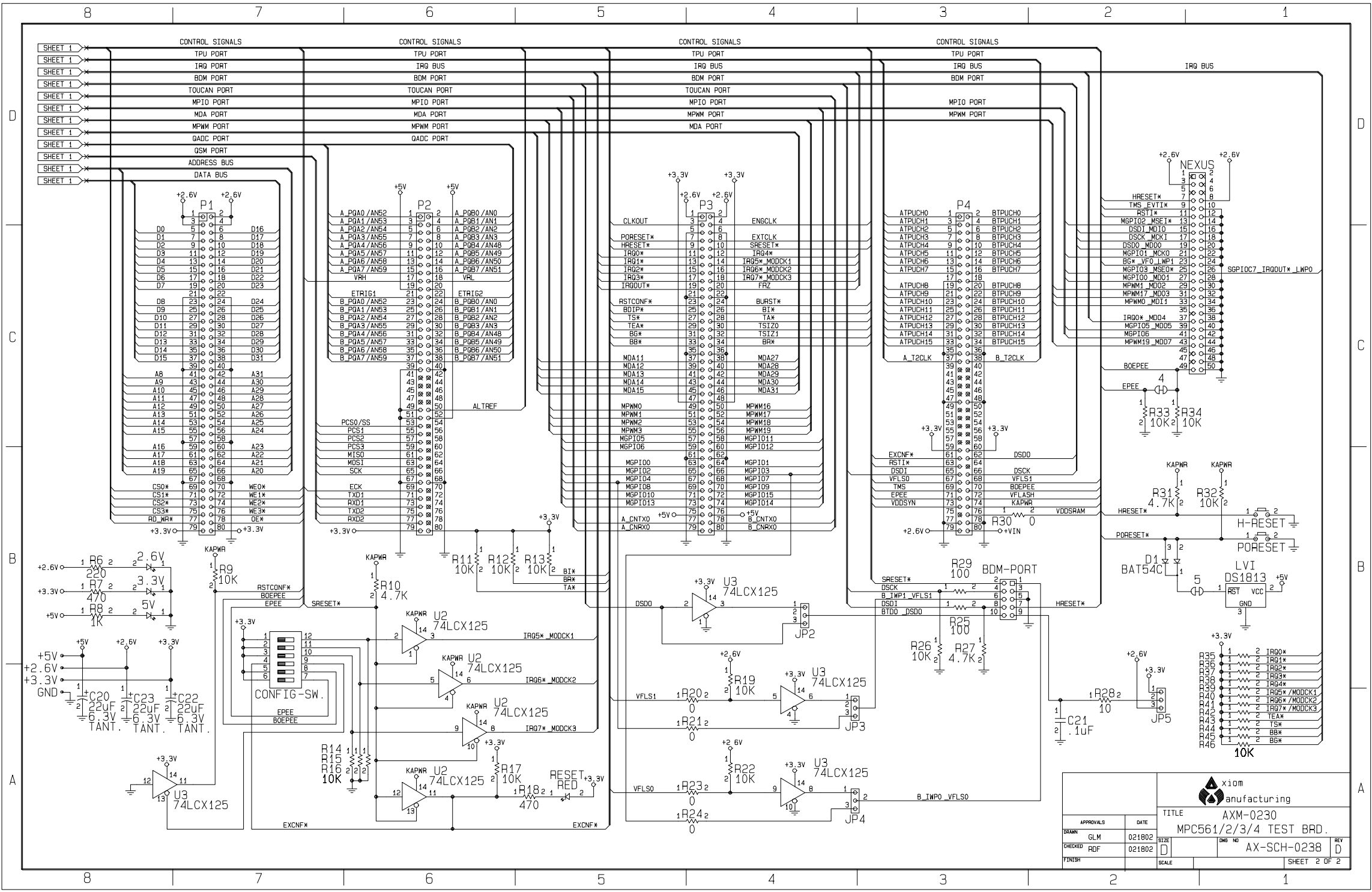


U1
MPC561/2/3/4

NOTES:
● OR ● = TEST POINTS
Ⓢ OR Ⓣ = CUT AWAY CONNECTION

APPROVALS		DATE	SIZE	DWG NO	REV
DRAWN	GLM	021802	D	AXM-0230	D
CHECKED	PDF	021802		AX-SCH-0238	
FTN/ST			SCALE		SHEET 1 OF 2



APPROVALS		DATE		TITLE	
DRAWN	GLM	021802		AXM-0230	
CHECKED	PDF	021802		MPC561/2/3/4 TEST BRD.	
DESIGNED	PDF	021802		REV	D
SCALE				SHEET 2 OF 2	