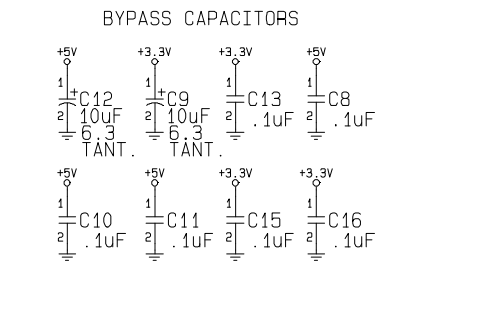
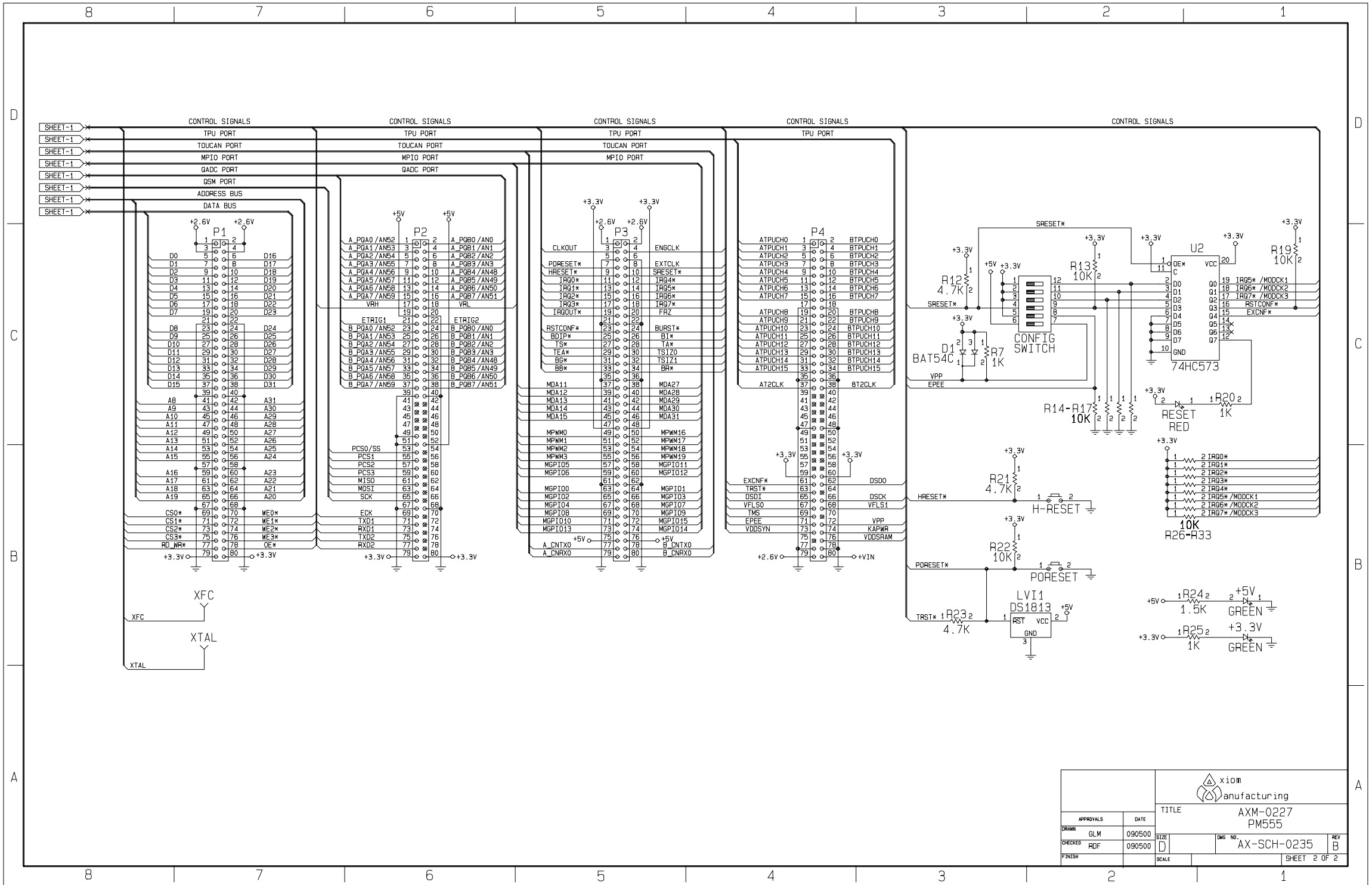


U1  
MPC555



|           |     |        |  |                   |              |
|-----------|-----|--------|--|-------------------|--------------|
| APPROVALS |     | DATE   |  | TITLE             |              |
| DRAWN     | GLM | 090500 |  | AXM-0227<br>PM555 |              |
| CHECKED   | PDF | 090500 |  | DWG NO.           | AX-SCH-0235  |
| FINISH    |     |        |  | SCALE             | SHEET 1 OF 2 |



|             |        |                            |              |
|-------------|--------|----------------------------|--------------|
|             |        |                            |              |
|             |        | TITLE<br>AXM-0227<br>PM555 |              |
| APPROVALS   | DATE   | SIZE                       | DWG NO.      |
| DRAWN GLM   | 090500 | D                          | AX-SCH-0235  |
| CHECKED PDF | 090500 |                            | REV B        |
| FINISH      |        | SCALE                      | SHEET 2 OF 2 |