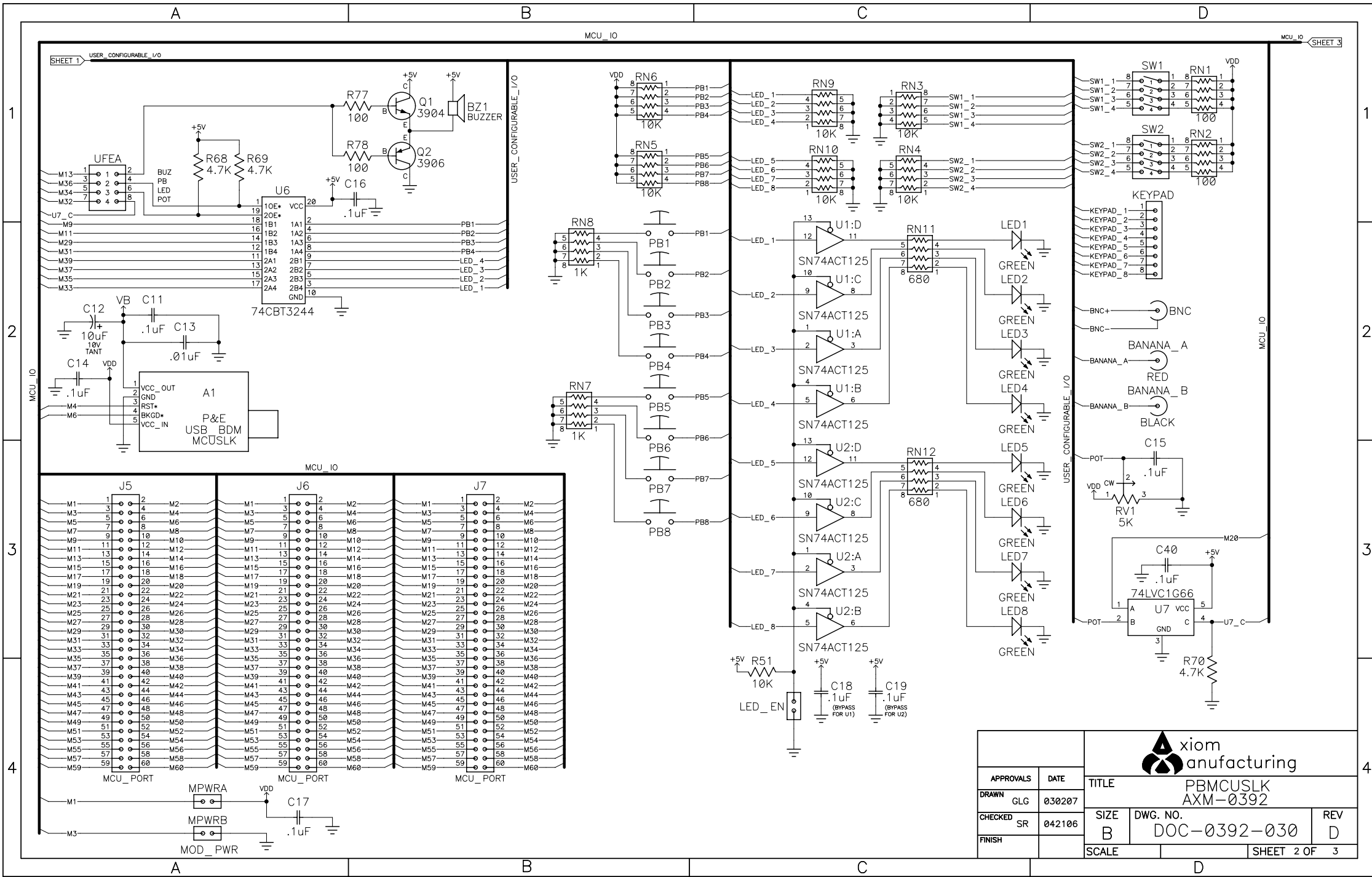
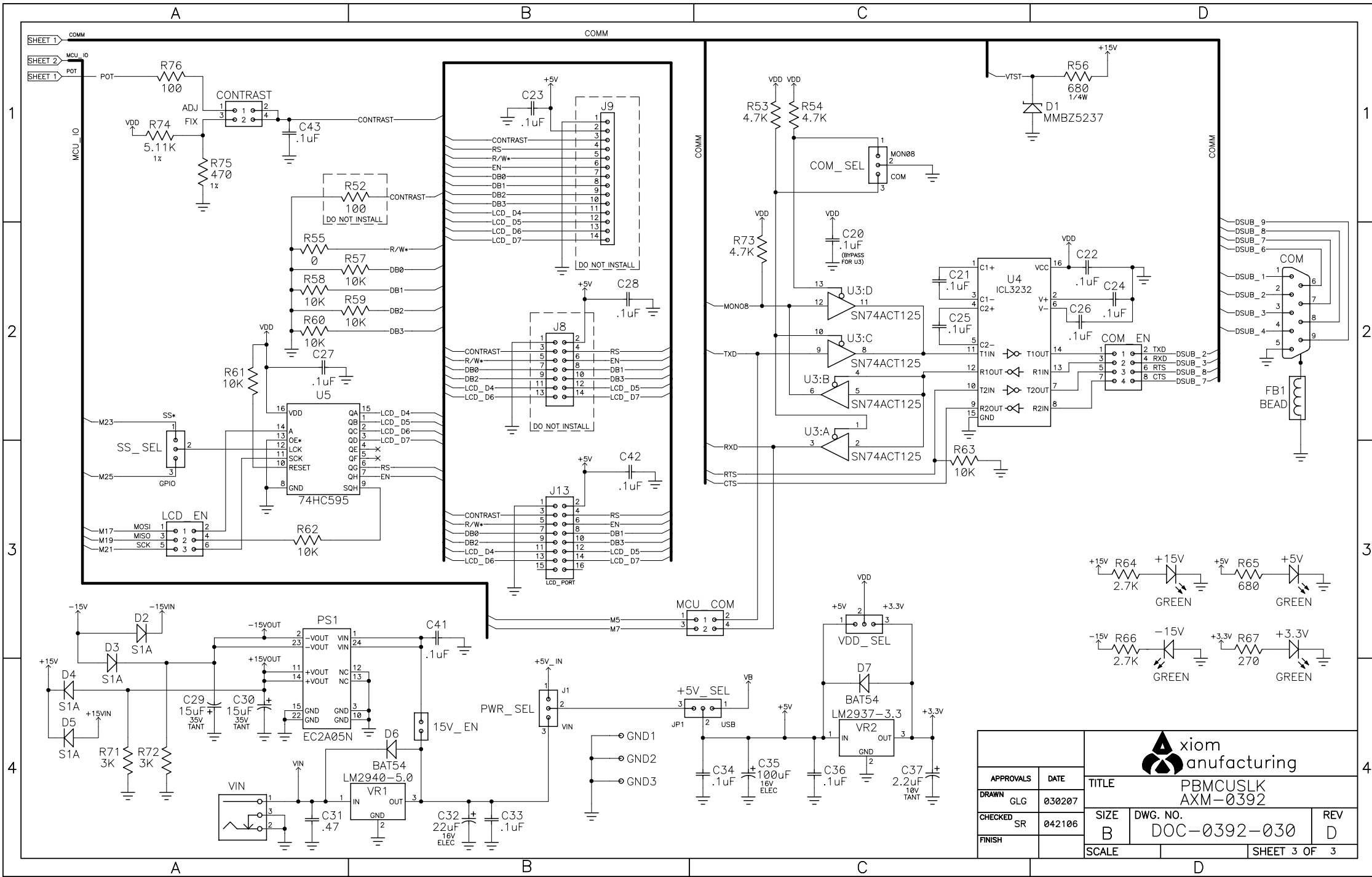



APPROVALS		DATE	TITLE	
DRAWN	GLG	031707	PBMCSLK AXM-0392	
CHECKED	SR	042106	SIZE	DWG. NO.
FINISH			B	DOC-0392-030
			SCALE	REV
				D
			SHEET 1 OF 3	





		TITLE		
		PBMCSLK AXM-0392		
APPROVALS	DATE	SIZE	DWG. NO.	REV
DRAWN	GLG	030207	B	DOC-0392-030
CHECKED	SR	042106	SCALE	SHEET 2 OF 3
FINISH				



APPROVALS		DATE		 PBMCUSLK AXM-0392		
DRAWN		GLG		030207		B
CHECKED		SR		042106		
FINISH						SHEET 3 OF 3