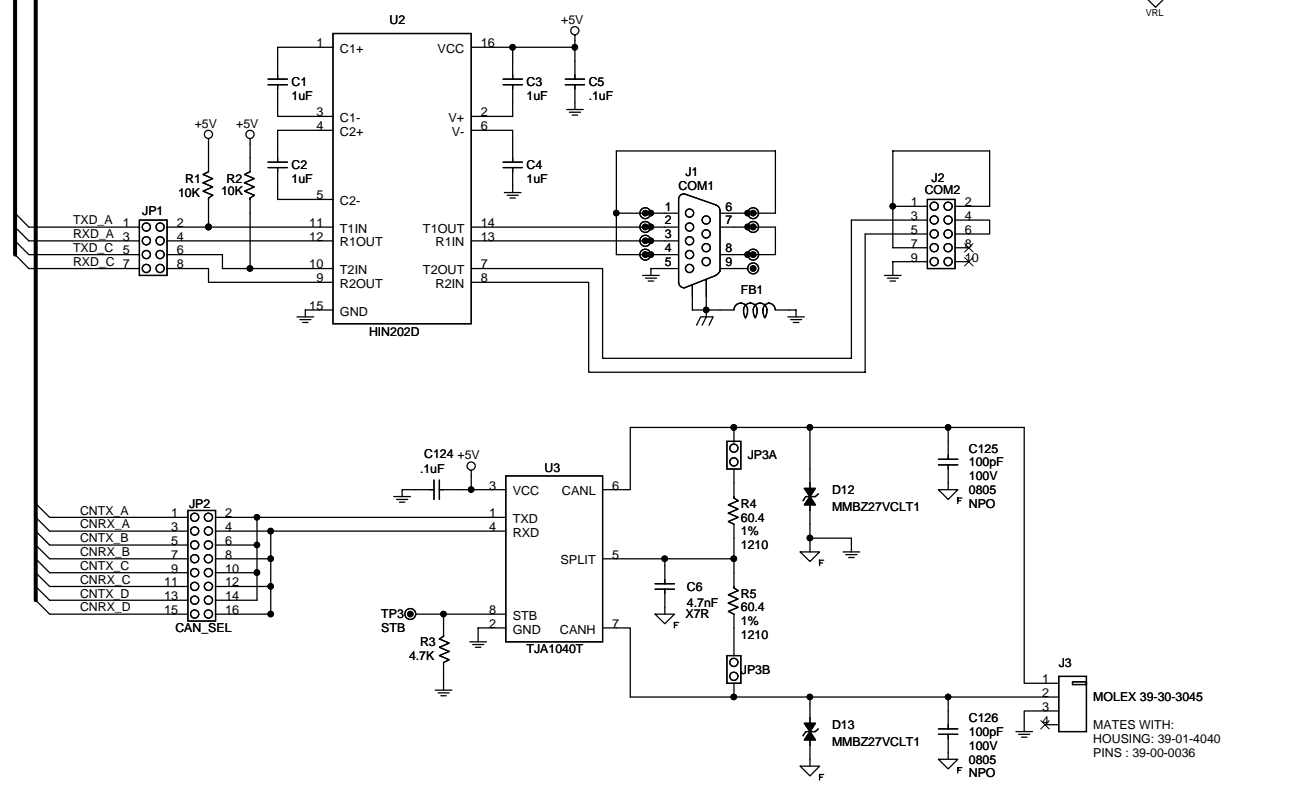
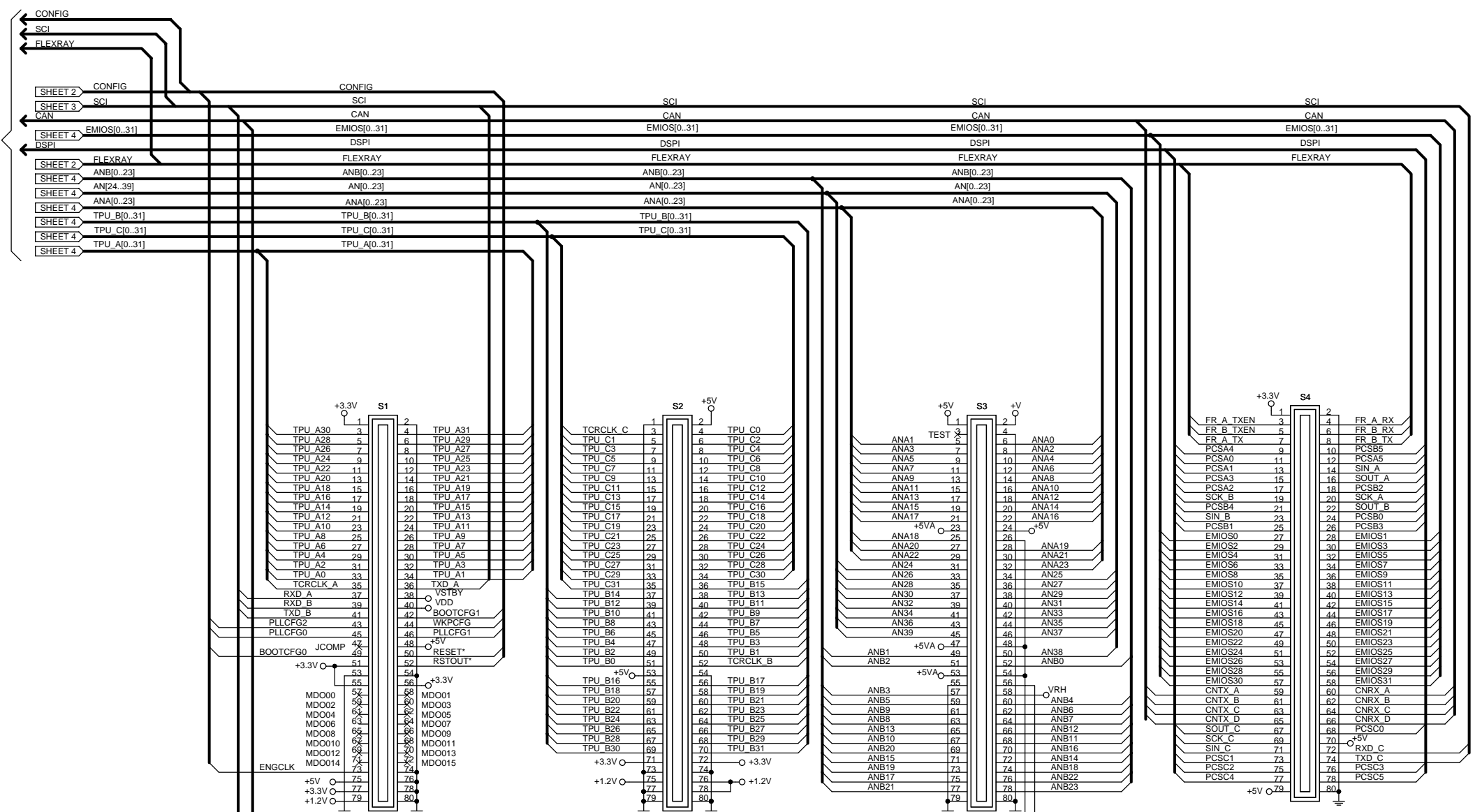
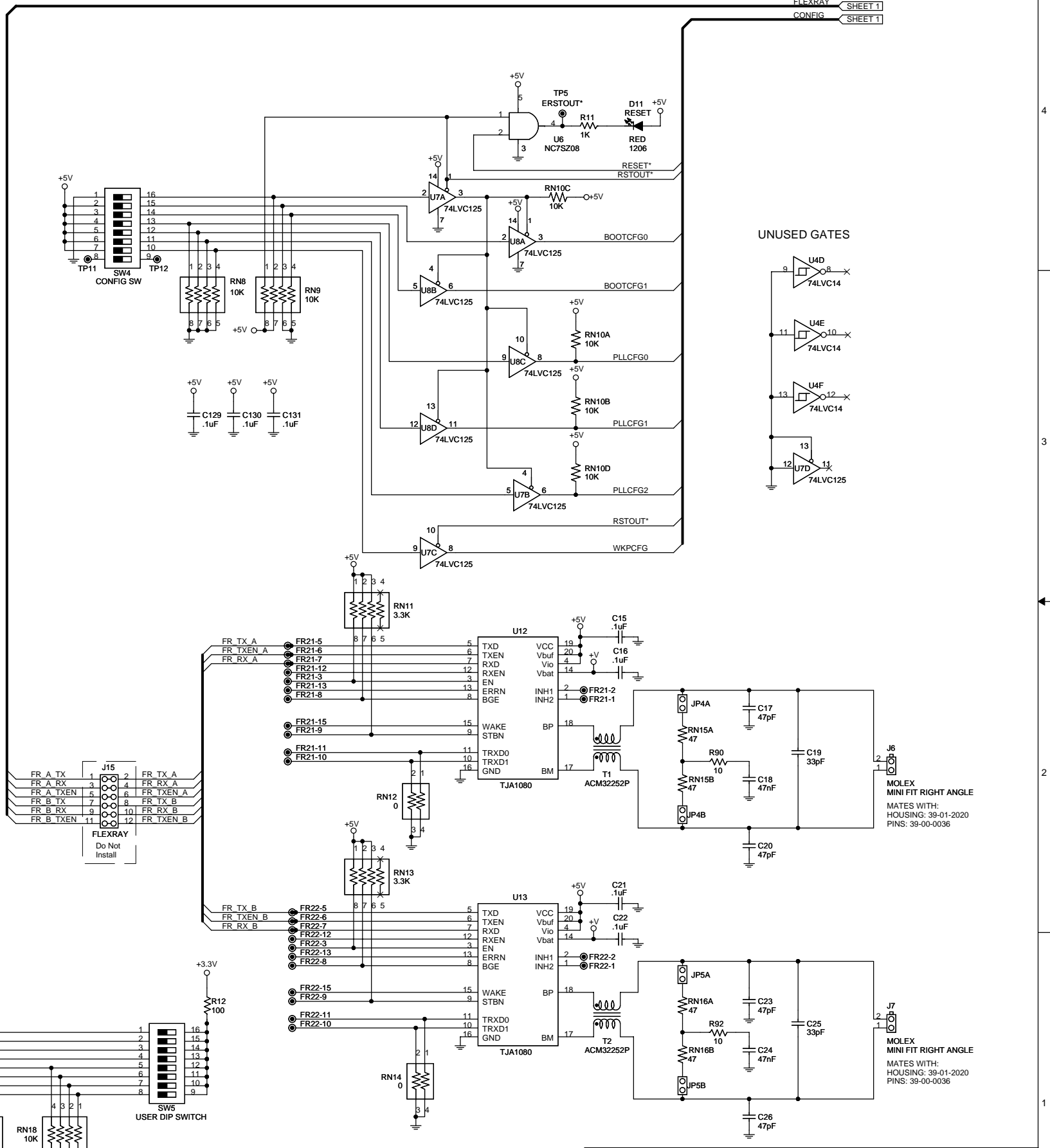
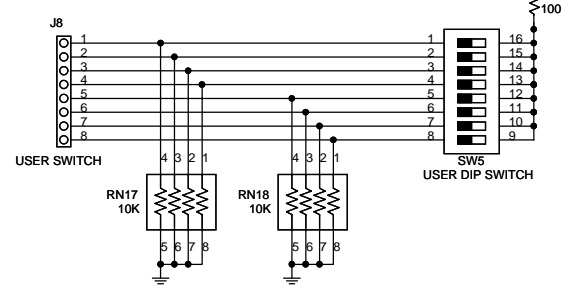
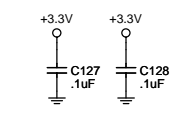
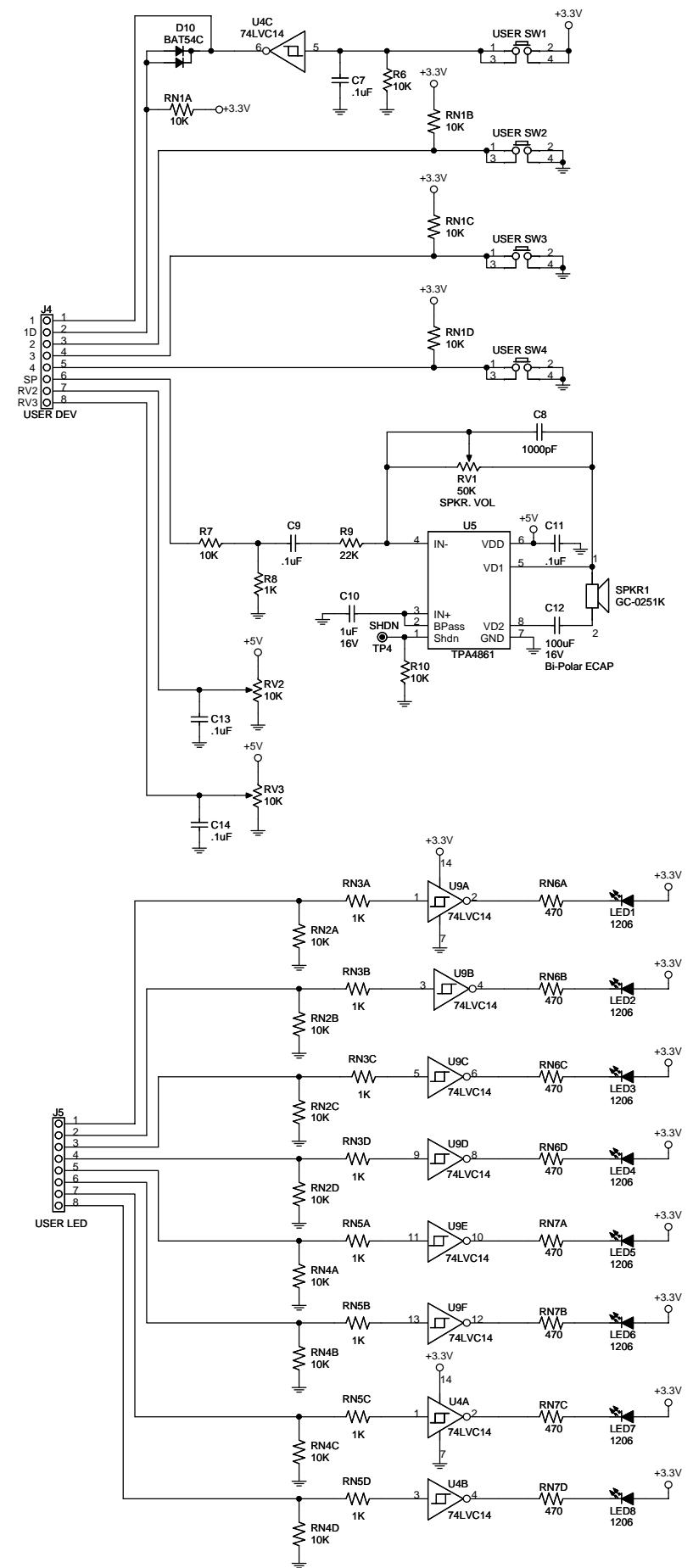


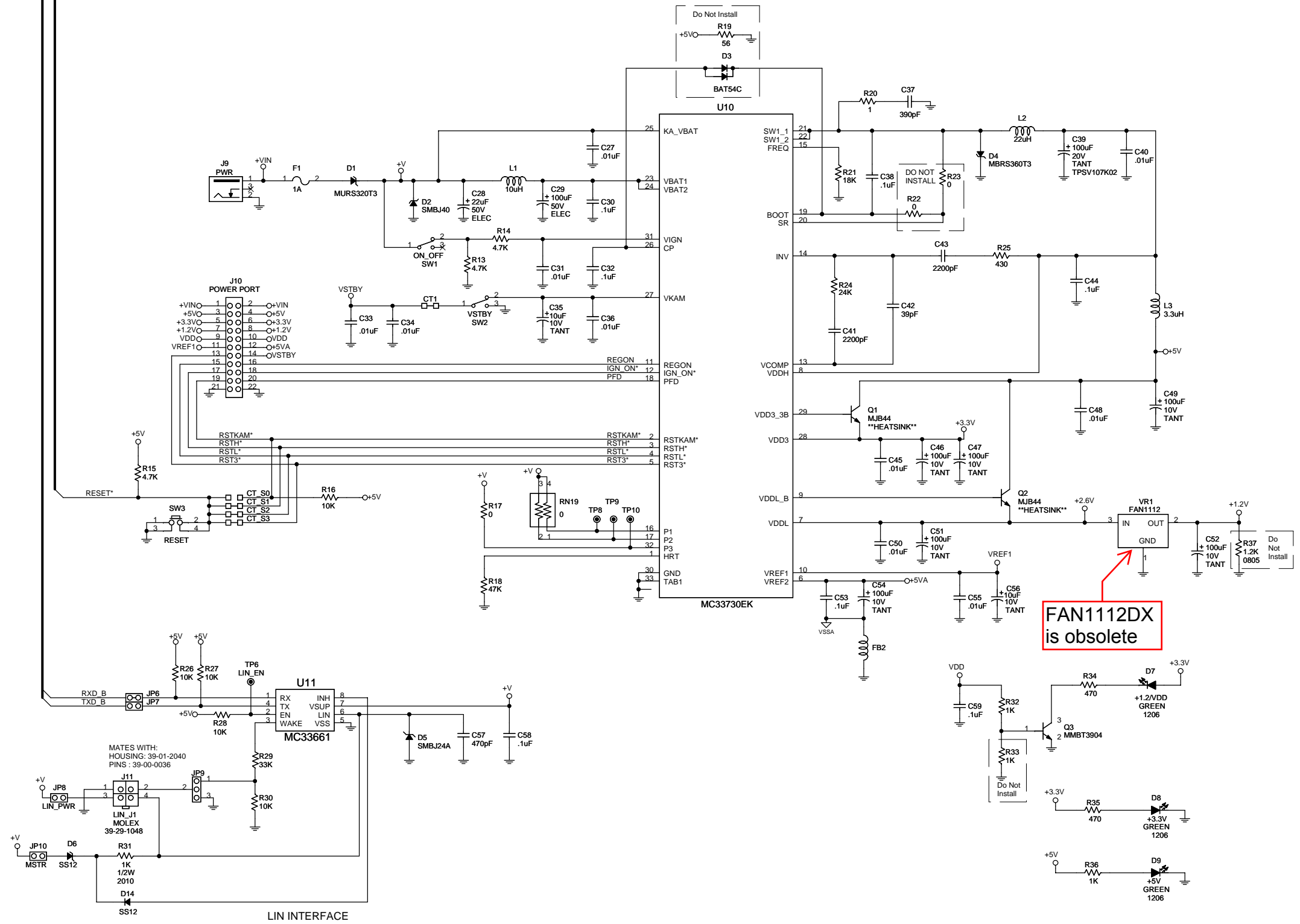
TO DAUGHTER BOARDS:
MPC5467DAT416
MPC5467DAT516



| | | | |
|--|-----|-----------------------|----------------------------|
| | | Title | |
| | | MPC567XEVBMB AXM-0473 | |
| Drawn | GLM | Date | 111610 |
| Checked | DSR | Date | 111610 |
| Finish | | Date | Tuesday, November 16, 2010 |
| Size C | | Document Number | DOC-0473-030 |
| MATES WITH: HOUSING: 39-01-4040 PINS: 39-00-0036 | | Rev | C |
| Date: Tuesday, November 16, 2010 | | Sheet | 1 of 4 |

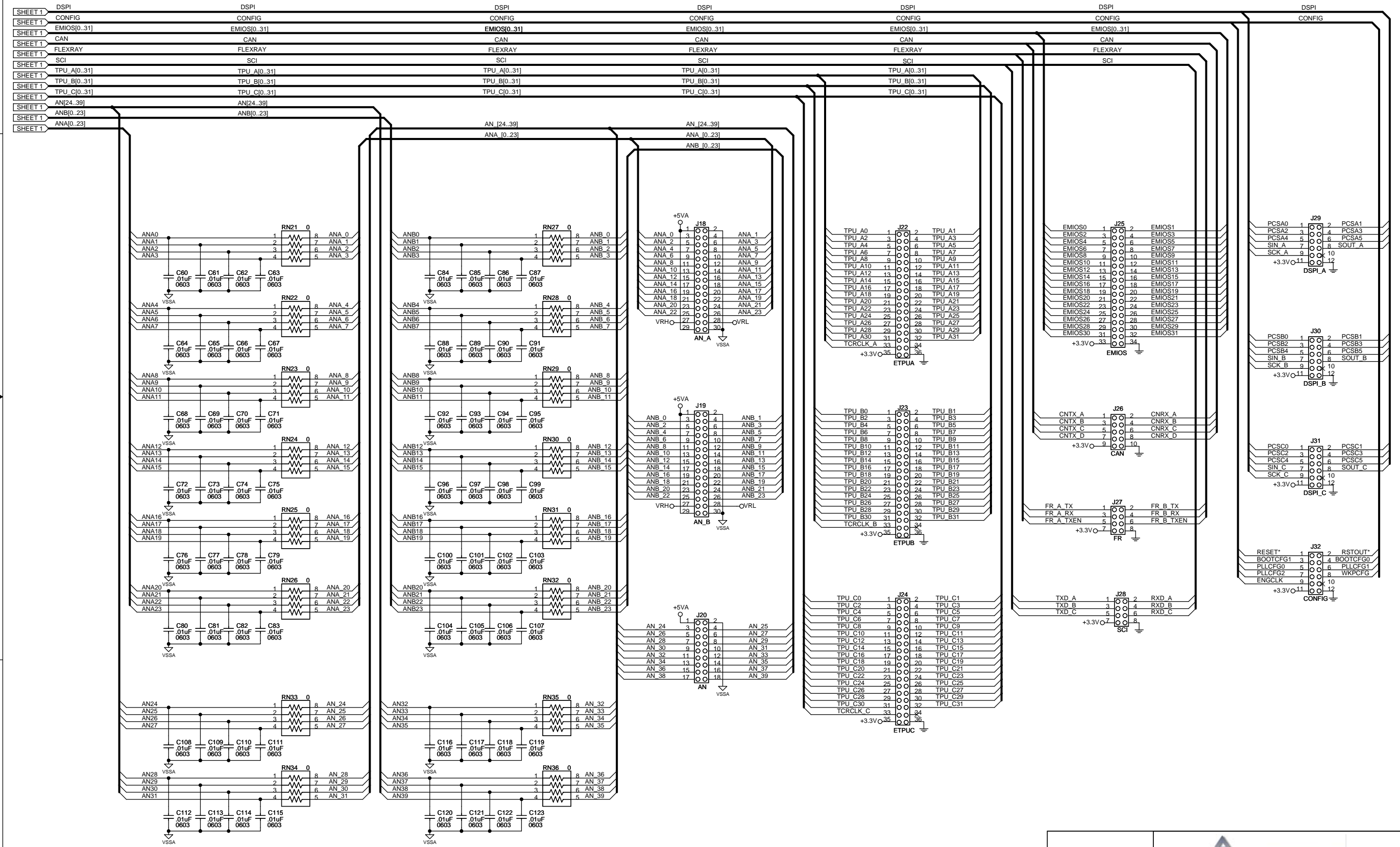


| | | | |
|----------------------------------|-----|-----------------------|--------------|
| | | Title | |
| | | MPC567XEVBMB AXM-0473 | |
| Drawn | GLM | Date | 111610 |
| Checked | DSR | Size | C |
| Finish | | Document Number | DOC-0473-030 |
| Date: Tuesday, November 16, 2010 | | Sheet 2 of 4 | |



FAN112DX is obsolete

| | | | |
|----------------------------------|-----|-----------------------|--------|
| | | Title | |
| | | MPC567XEVBMB AXM-0473 | |
| Drawn | GLM | Date | 111610 |
| Checked | DSR | Date | 111610 |
| Finish | | Date | |
| Document Number | | Rev | |
| DOC-0473-030 | | C | |
| Date: Tuesday, November 16, 2010 | | Sheet 3 of 4 | |



| | |
|----------------------------------|--------|
| | |
| Approvals | Date |
| Drawn GLM | 111610 |
| Checked DSR | 111610 |
| Finish | |
| Title | |
| MPC567XEVBMB AXM-0473 | |
| Document Number | |
| DOC-0473-030 | |
| Rev C | |
| Date: Tuesday, November 16, 2010 | |
| Sheet 4 of 4 | |