

U1
MPC5674 or
MPC5676
516 BGA

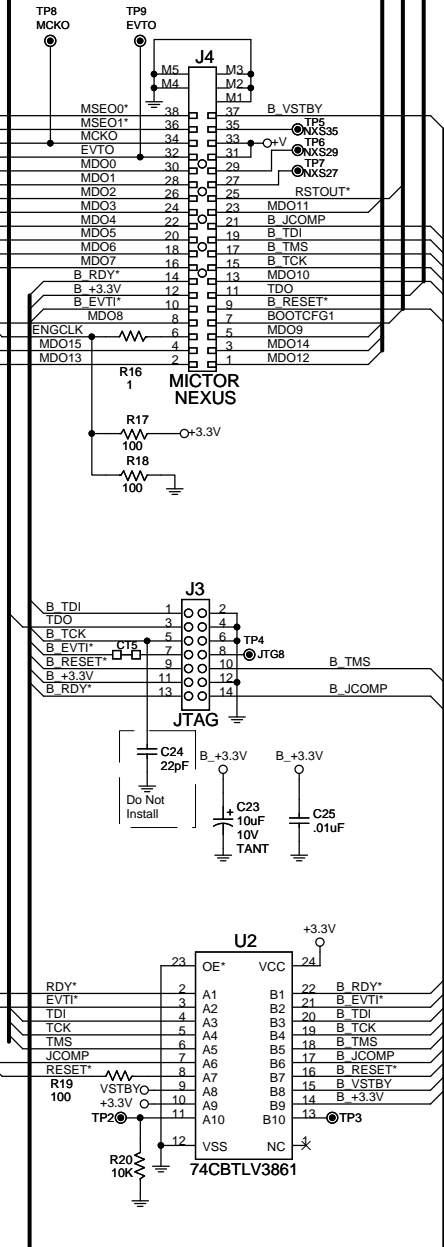
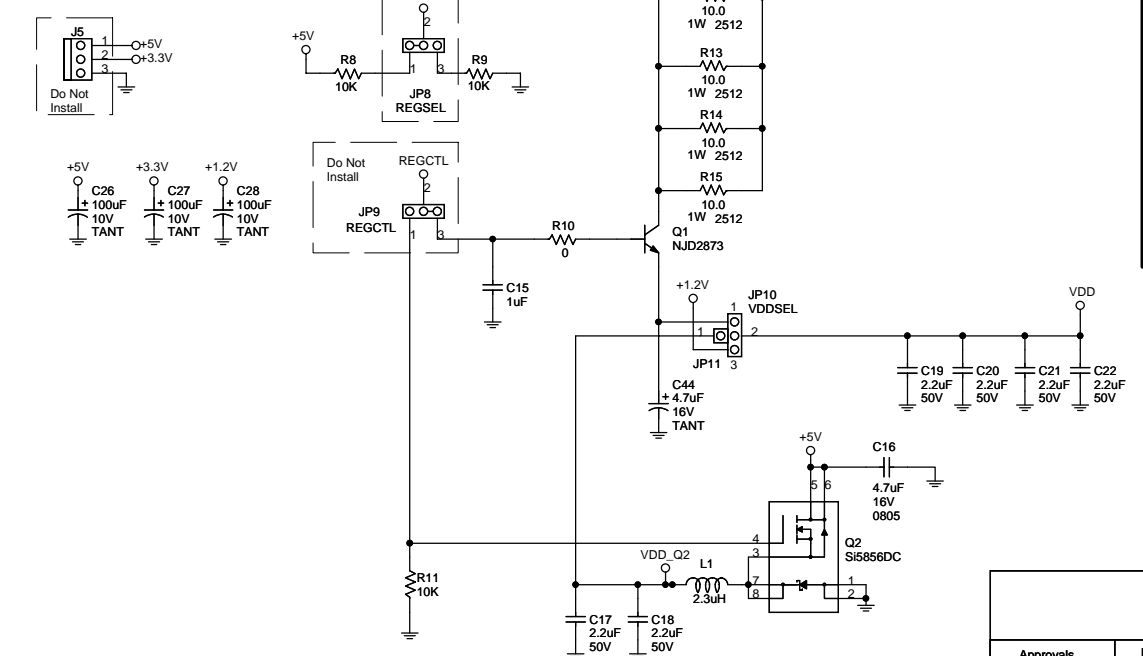
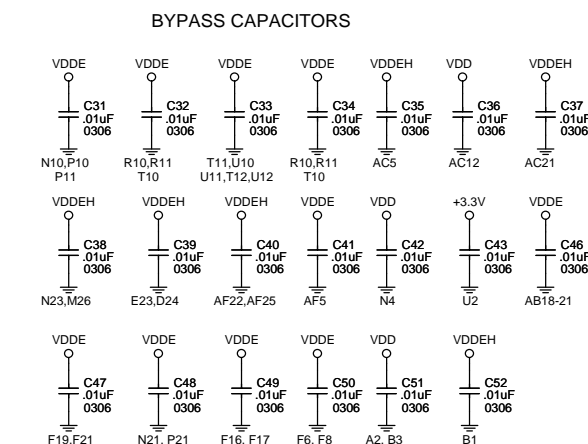
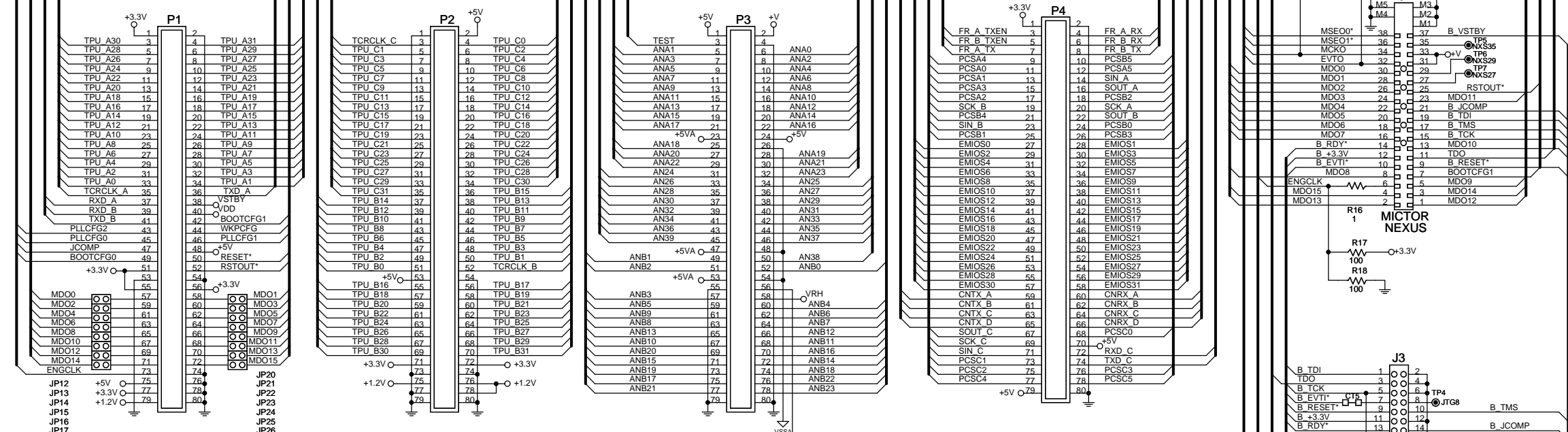


Approvals	Date	Title	
Drawn GLM	111610	MPC567XADAT516 AXM-0472	
Checked DSR	111610	Size C	Document Number DOC-0472-030
Finish		Date: Tuesday, November 16, 2010	Sheet 1 of 3

SHEET2	D_ADD9[30]
SHEET2	TPU_A0[31]
SHEET2	TPU_B0[31]
SHEET2	TPU_C0[31]

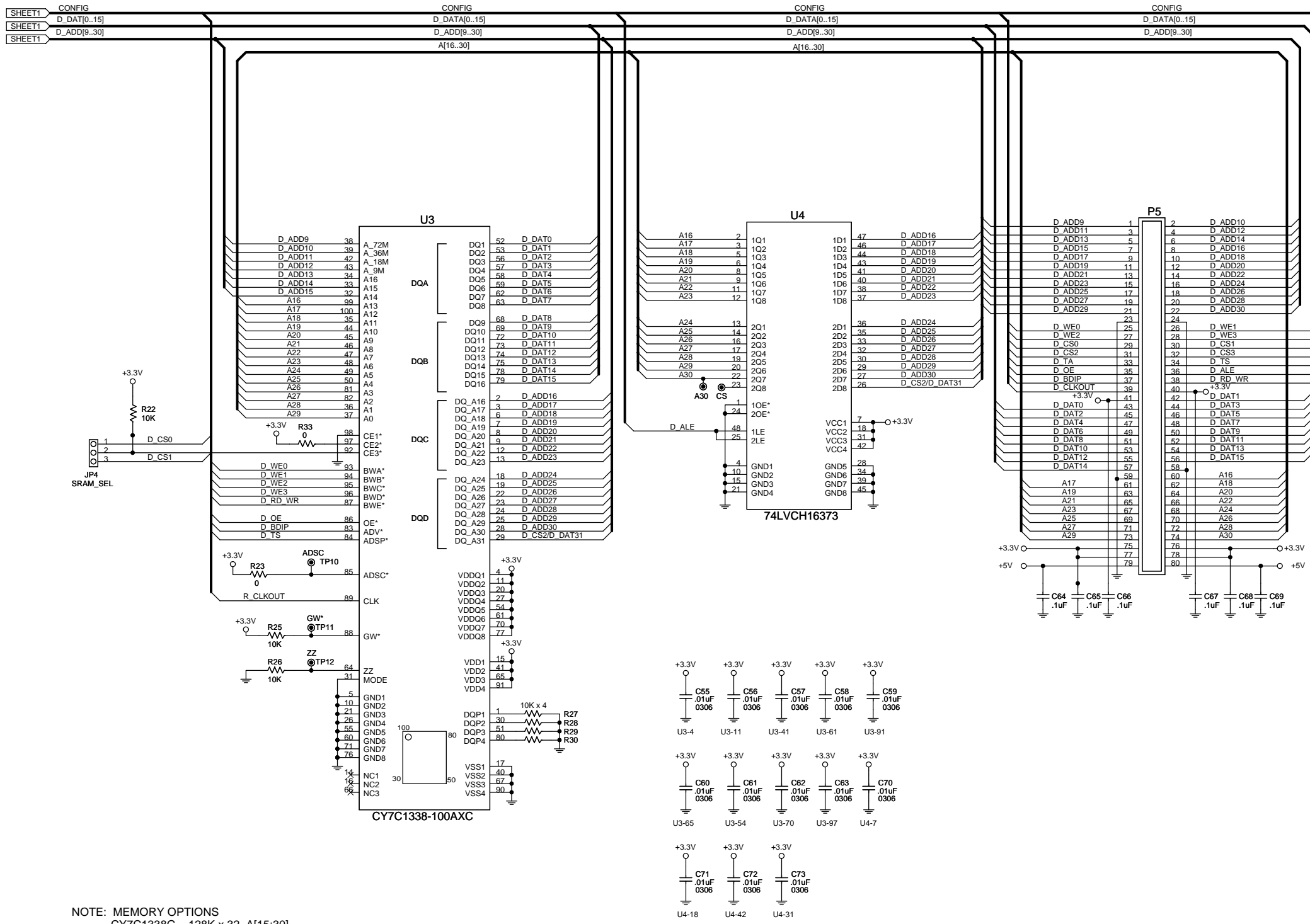
D_DAT0[15]	SHEET2
ANA[24_39]	SHEET2
ANB0_23	SHEET2
ANA0_23	SHEET2
EMOS0_31	SHEET2
MDO0[15]	SHEET2
DSP1	SHEET2
CAN	SHEET2
SCI	SHEET2
FLEXRAY	SHEET2
JTAG	SHEET2
NEXUS	SHEET2
CONFIG	SHEET2

SHEET1	JTAG	JTAG	JTAG	JTAG	JTAG	JTAG
SHEET1	CONFIG	CONFIG	CONFIG	CONFIG	CONFIG	CONFIG
SHEET1	NEXUS	NEXUS	NEXUS	NEXUS	NEXUS	NEXUS
SHEET1	MDO[0..15]	MDO[0..15]	MDO[0..15]	MDO[0..15]	MDO[0..15]	MDO[0..15]
SHEET1	SCI	SCI	SCI	SCI	SCI	SCI
SHEET1	CAN	CAN	CAN	CAN	CAN	CAN
SHEET1	EMIOS[0..31]	EMIOS[0..31]	EMIOS[0..31]	EMIOS[0..31]	EMIOS[0..31]	EMIOS[0..31]
SHEET1	DSP	DSP	DSP	DSP	DSP	DSP
SHEET1	FLEXRAY	FLEXRAY	FLEXRAY	FLEXRAY	FLEXRAY	FLEXRAY
SHEET1	ANB[0..23]	ANB[0..23]	ANB[0..23]	ANB[0..23]	ANB[0..23]	ANB[0..23]
SHEET1	ANA[24..39]	ANA[24..39]	ANA[24..39]	ANA[24..39]	ANA[24..39]	ANA[24..39]
SHEET1	ANA[0..23]	ANA[0..23]	ANA[0..23]	ANA[0..23]	ANA[0..23]	ANA[0..23]
SHEET1	TPU B[0..31]	TPU B[0..31]	TPU B[0..31]	TPU B[0..31]	TPU B[0..31]	TPU B[0..31]
SHEET1	TPU C[0..31]	TPU C[0..31]	TPU C[0..31]	TPU C[0..31]	TPU C[0..31]	TPU C[0..31]
SHEET1	TPU A[0..31]	TPU A[0..31]	TPU A[0..31]	TPU A[0..31]	TPU A[0..31]	TPU A[0..31]



Approvals		Date	Title			
			Drawn GLM	111610	MPC567XADAT516	AXM-0472
Checked	DSR	111610	Size C	Document Number	DOC-0472-030	Rev D
Finish				Date:	Tuesday, November 16, 2010	Sheet 2 of 3





NOTE: MEMORY OPTIONS
 CY7C1338G, 128K x 32 A[15:30]
 CY7C1471V33, 2M x 36 A[10:30]

Approvals	Date	Title	
Drawn GLM	111610	MPC567XADAT516 AXM-0472	
Checked DSR	111610	Size C	Document Number
Finish		DOC-0472-030	
		Date: Tuesday, November 16, 2010	Sheet 3 of 3