

SHEET2 DSP1
SHEET2 NEXUS
SHEET2 MDO0_15
SHEET2 EMOS0_31
SHEET2 ANA0_23
SHEET2 ANB0_23
SHEET2 ANJ24_39

FLEXRAY SHEET2
CAN SHEET2
SCI SHEET2
JTAG SHEET2
CONFIG SHEET2

ANA0 A4 ANA0
ANA1 B5 ANA1
ANA2 C5 ANA2
ANA3 D6 ANA3
ANA4 A6 ANA4
ANA5 B6 ANA5
ANA6 C6 ANA6
ANA7 D7 ANA7
ANA8 A6 ANA8
ANA9 C7 ANA9
ANA10 B7 ANA10
ANA11 D8 ANA11
ANA12 D8 ANA12
ANA13 C8 ANA13
ANA14 B8 ANA14
ANA15 D9 ANA15
ANA16 C9 ANA16
ANA17 D9 ANA17
ANA18 D10 ANA18
ANA19 C10 ANA19
ANA20 B10 ANA20
ANA21 D11 ANA21
ANA22 C11 ANA22
ANA23 B11 ANA23

ANB0 C18 ANB0
ANB1 D17 ANB1
ANB2 D18 ANB2
ANB3 C19 ANB3
ANB4 C19 ANB4
ANB5 C20 ANB5
ANB6 B19 ANB6
ANB7 A20 ANB7
ANB8 B20 ANB8
ANB9 D20 ANB9
ANB10 B21 ANB10
ANB11 A21 ANB11
ANB12 C21 ANB12
ANB13 A22 ANB13
ANB14 B22 ANB14
ANB15 B22 ANB15
ANB16 C22 ANB16
ANB17 A23 ANB17
ANB18 B23 ANB18
ANB19 C23 ANB19
ANB20 D22 ANB20
ANB21 A24 ANB21
ANB22 B24 ANB22
ANB23 A25 ANB23

AN24 B12 AN24
AN25 D13 AN25
AN26 C13 AN26
AN27 B13 AN27
AN28 A13 AN28
AN29 C14 AN29
AN30 D14 AN30
AN31 B14 AN31
AN32 A14 AN32
AN33 B15 AN33
AN34 C15 AN34
AN35 D15 AN35
AN36 C16 AN36
AN37 B16 AN37
AN38 D16 AN38
AN39 A16 AN39

EMOS0 AEL0
EMOS1 AEL0
EMOS2 AEL1
EMOS3 AEL1
EMOS4 AEL1
EMOS5 AEL2
EMOS6 AEL2
EMOS7 AEL3
EMOS8 AEL3
EMOS9 AEL3
EMOS10 AEL3
EMOS11 AEL3
EMOS12 AEL4
EMOS13 AEL4
EMOS14 AEL4
EMOS15 AEL5
EMOS16 AEL5
EMOS17 AEL5
EMOS18 AEL5
EMOS19 AEL6
EMOS20 AEL6
EMOS21 AEL6
EMOS22 AEL6
EMOS23 AEL6
EMOS24 AEL7
EMOS25 AEL7
EMOS26 AEL7
EMOS27 AEL7
EMOS28 AEL8
EMOS29 AEL8
EMOS30 AEL8
EMOS31 AEL8

MDO0 U3
MDO1 U4
MDO2 V2
MDO3 V2
MDO4 V3
MDO5 V4
MDO6 W1
MDO7 W2
MDO8 W2
MDO9 Y1
MDO10 Y2
MDO11 Y3
MDO12 AA1
MDO13 AA2
MDO14 AA3
MDO15 Y4

RDY* RDY*
MCKO T2 MCKO*
MSECO1 T3 MSECO1*
MSECO2 T4 MSECO2*
EV1* EV1*
EV10 EV10

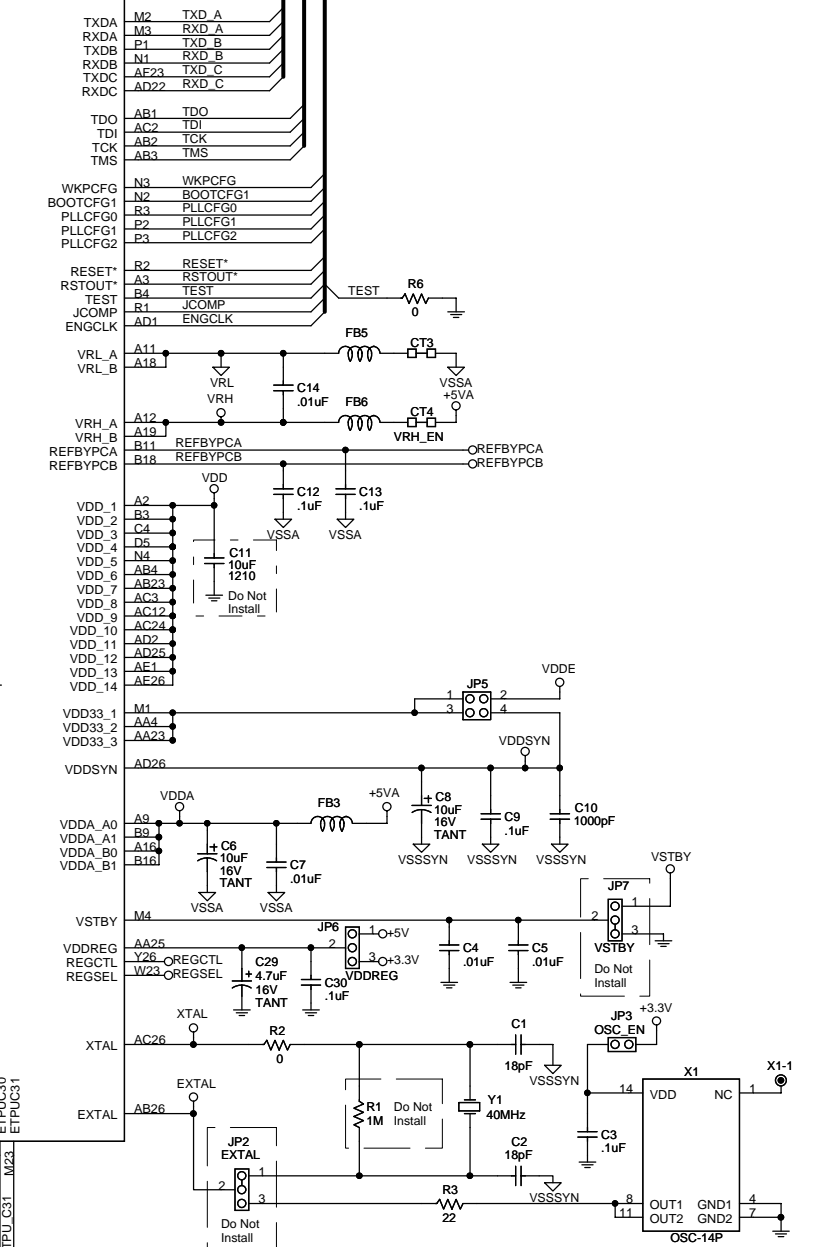
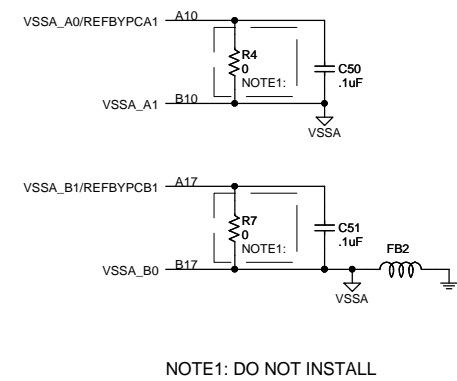
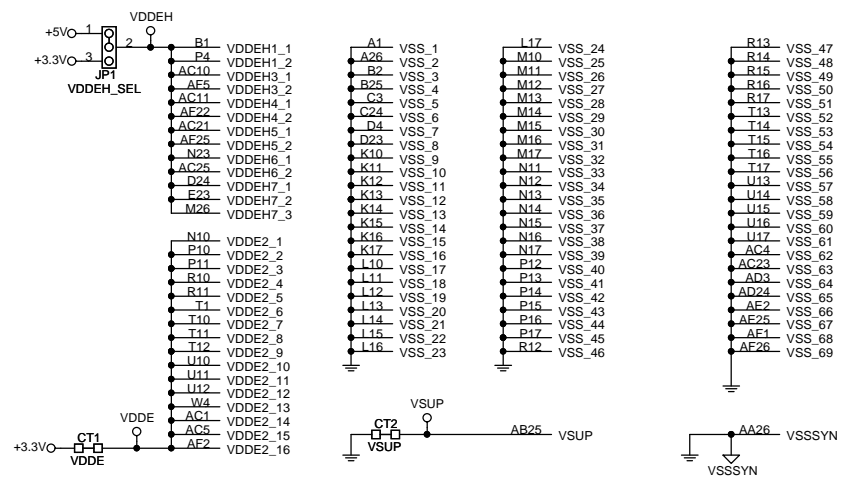
PCSA0 AEB
PCSA1 AEB
PCSA2 AEB
PCSA3 AEB
PCSA4 AEB
PCSA5 AEB
PCSA6 AEB
PCSB0 AEB
PCSB1 AEB
PCSB2 AEB
PCSB3 AEB
PCSB4 AEB
PCSB5 AEB
PCSC0 AEB
PCSC1 AEB
PCSC2 AEB
PCSC3 AEB
PCSC4 AEB
PCSC5 AEB

SOUT A AD7
SOUT A SIN A
SOUT B AD7
SOUT B SIN B
SOUT C AD7
SOUT C SIN C
SOUT D AD7
SOUT D SIN D

FR A TX AD4
FR A RX AD4
FR A TXEN AEB
FR A RXEN AEB
FR B TX AEB
FR B RX AEB
FR B TXEN AEB
FR B RXEN AEB

CNTX A AEB
CNTX B AEB
CNTX C AEB
CNTX D AEB
CNTX E AEB
CNTX F AEB
CNTX G AEB
CNTX H AEB
CNTX I AEB
CNTX J AEB

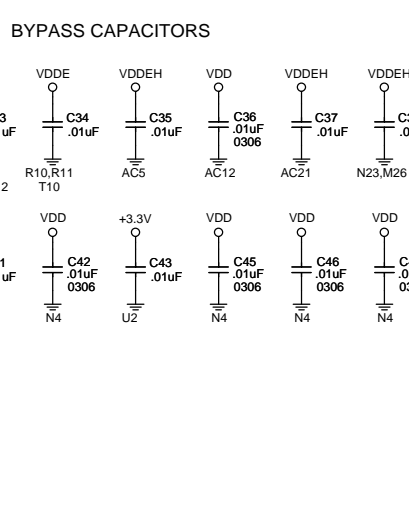
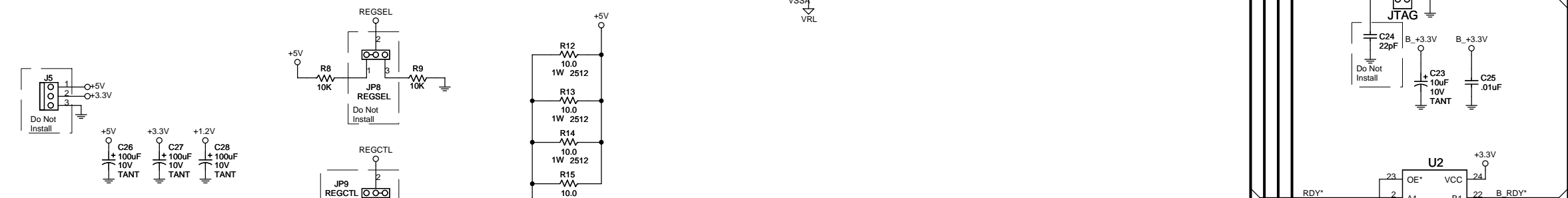
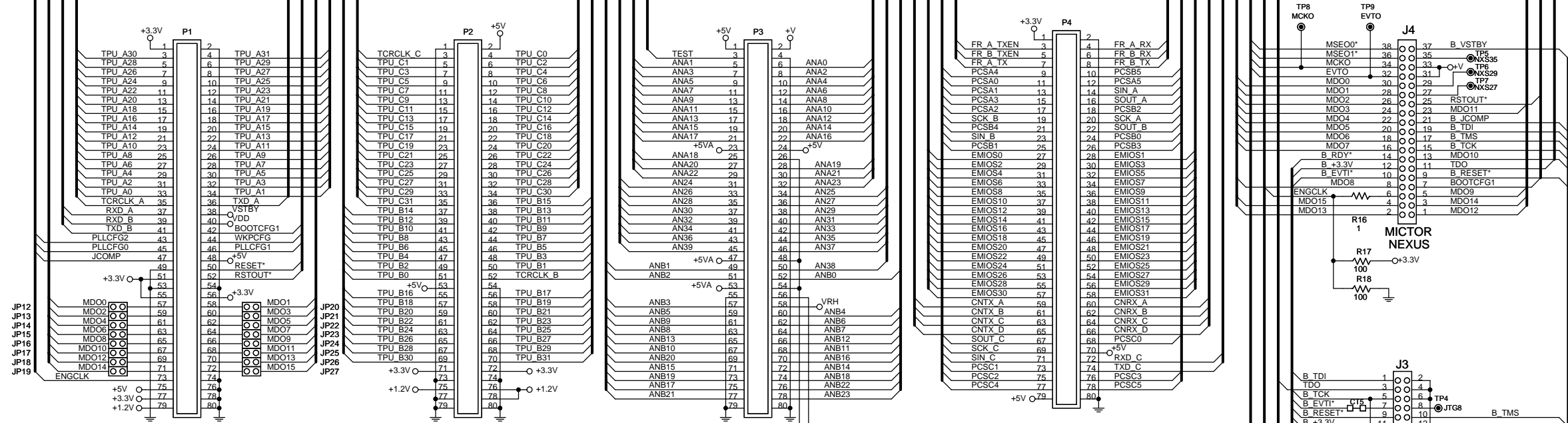
U1
MPC5674 OR MPC5676
416 BGA



SHEET2 TPU A(0..31)
SHEET2 TPU B(0..31)
SHEET2 TPU C(0..31)

Approvals		Date	Title	
Drawn	GLM	111610	MPC5674XADAT416 AXM-0471	
Checked	DSR	111610	Size	Document Number
Finish			C	DOC-0471-030
		Date:	Tuesday, November 16, 2010	Sheet 1 of 2

SHEET1	JTAG	JTAG	JTAG	JTAG	JTAG	JTAG
SHEET1	CONFIG	CONFIG	CONFIG	CONFIG	CONFIG	CONFIG
SHEET1	NEXUS	NEXUS	NEXUS	NEXUS	NEXUS	NEXUS
SHEET1	MDO[0..15]	MDO[0..15]	MDO[0..15]	MDO[0..15]	MDO[0..15]	MDO[0..15]
SHEET1	SCI	SCI	SCI	SCI	SCI	SCI
SHEET1	CAN	CAN	CAN	CAN	CAN	CAN
SHEET1	EMIOS[0..31]	EMIOS[0..31]	EMIOS[0..31]	EMIOS[0..31]	EMIOS[0..31]	EMIOS[0..31]
SHEET1	DSP	DSP	DSP	DSP	DSP	DSP
SHEET1	FLEXRAY	FLEXRAY	FLEXRAY	FLEXRAY	FLEXRAY	FLEXRAY
SHEET1	ANB[0..23]	ANB[0..23]	ANB[0..23]	ANB[0..23]	ANB[0..23]	ANB[0..23]
SHEET1	ANA[24..39]	ANA[0..23]	ANA[0..23]	ANA[0..23]	ANA[0..23]	ANA[0..23]
SHEET1	ANA[0..23]	ANA[0..23]	ANA[0..23]	ANA[0..23]	ANA[0..23]	ANA[0..23]
SHEET1	TPU B[0..31]	TPU B[0..31]	TPU B[0..31]	TPU B[0..31]	TPU B[0..31]	TPU B[0..31]
SHEET1	TPU C[0..31]	TPU C[0..31]	TPU C[0..31]	TPU C[0..31]	TPU C[0..31]	TPU C[0..31]
SHEET1	TPU A[0..31]	TPU A[0..31]	TPU A[0..31]	TPU A[0..31]	TPU A[0..31]	TPU A[0..31]



		Title		AXM-0471	
		MPC567XADAT416			
Drawn	GLM	Date	111610	Size	C
Checked	DSR	Date	111610	Document Number	DOC-0471-030
Finish		Date	Tuesday, November 16, 2010	Sheet	2 of 2