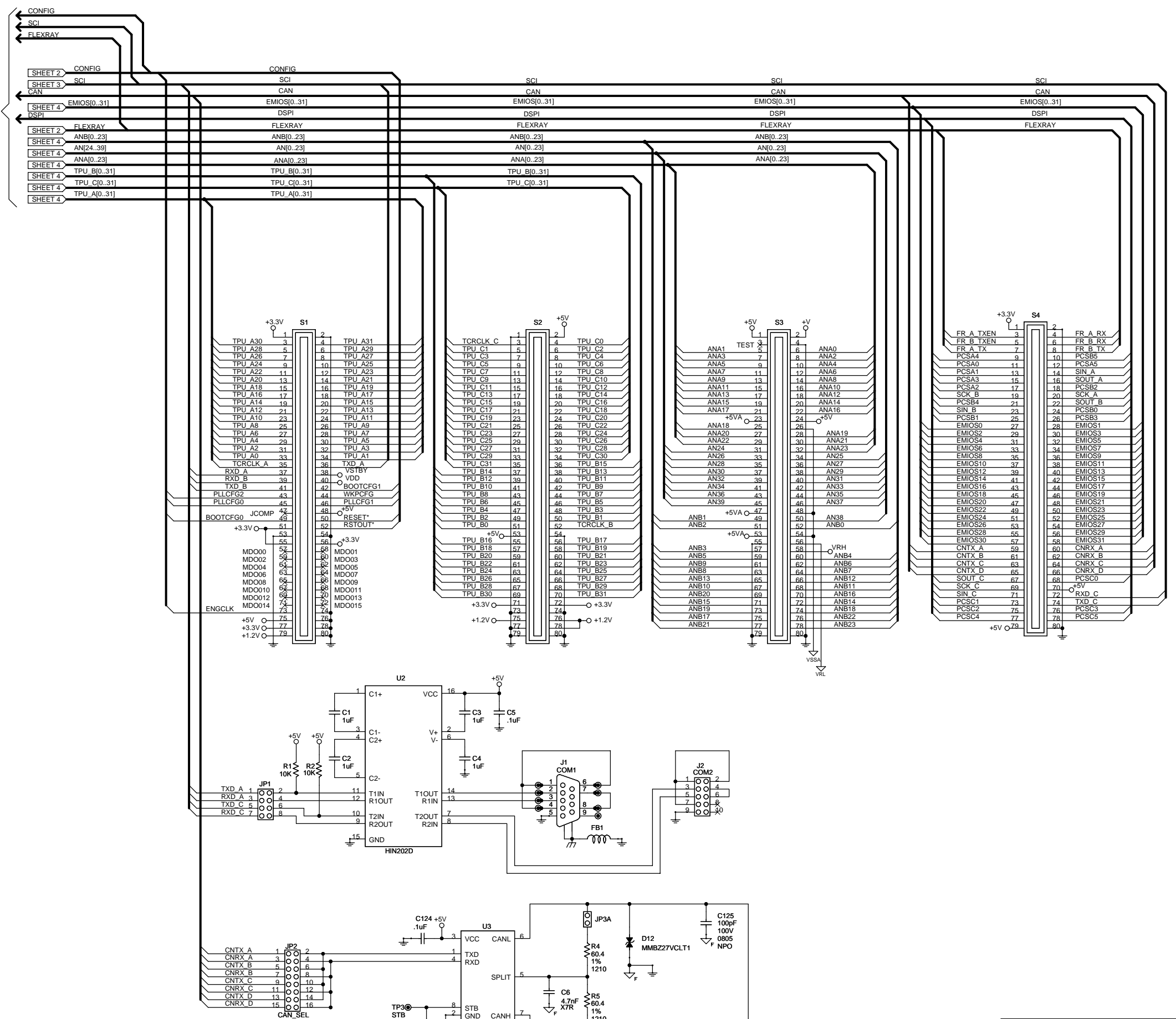
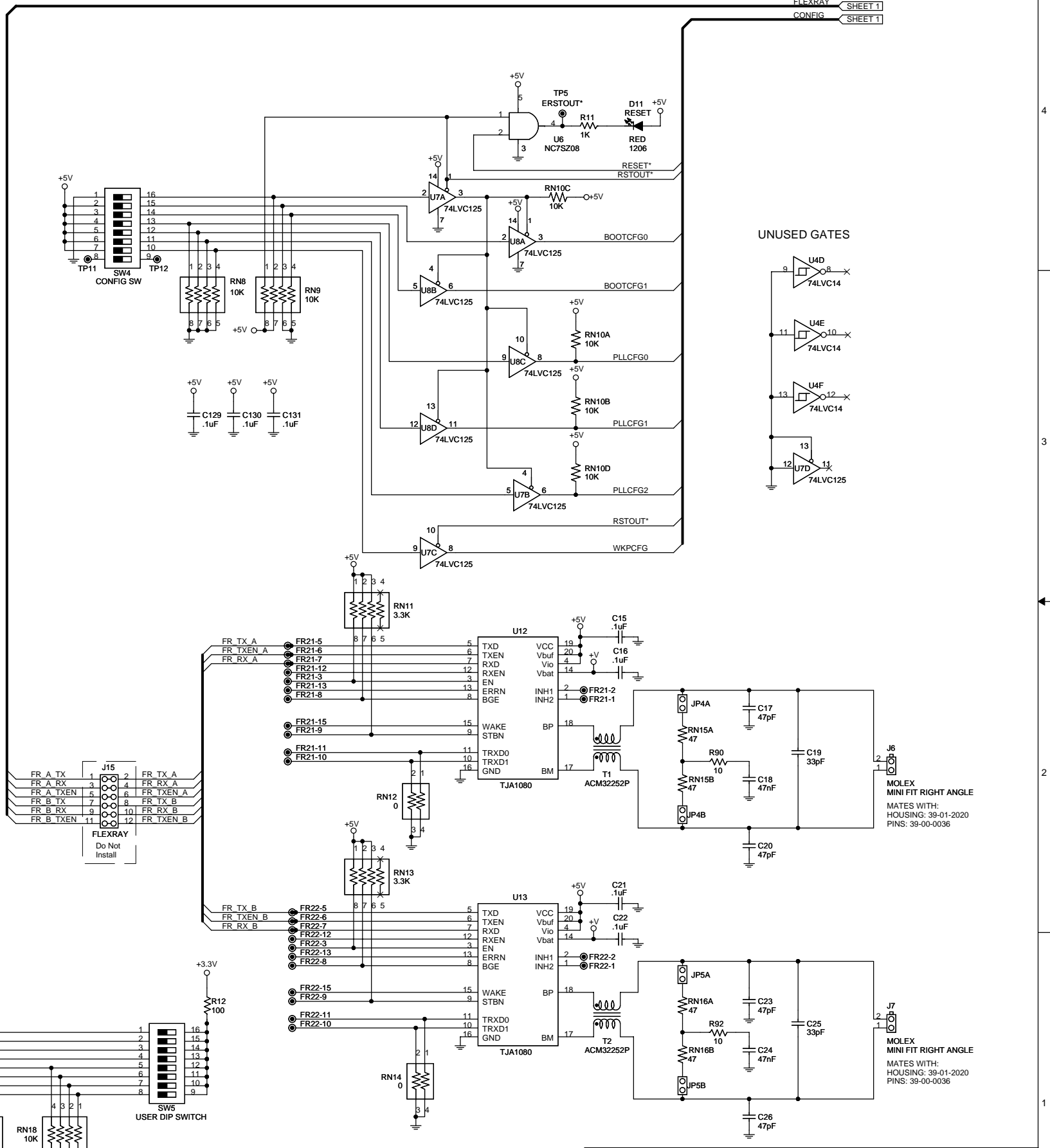
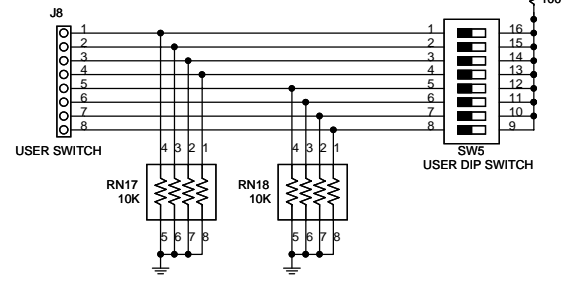
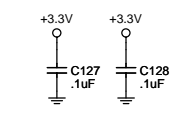
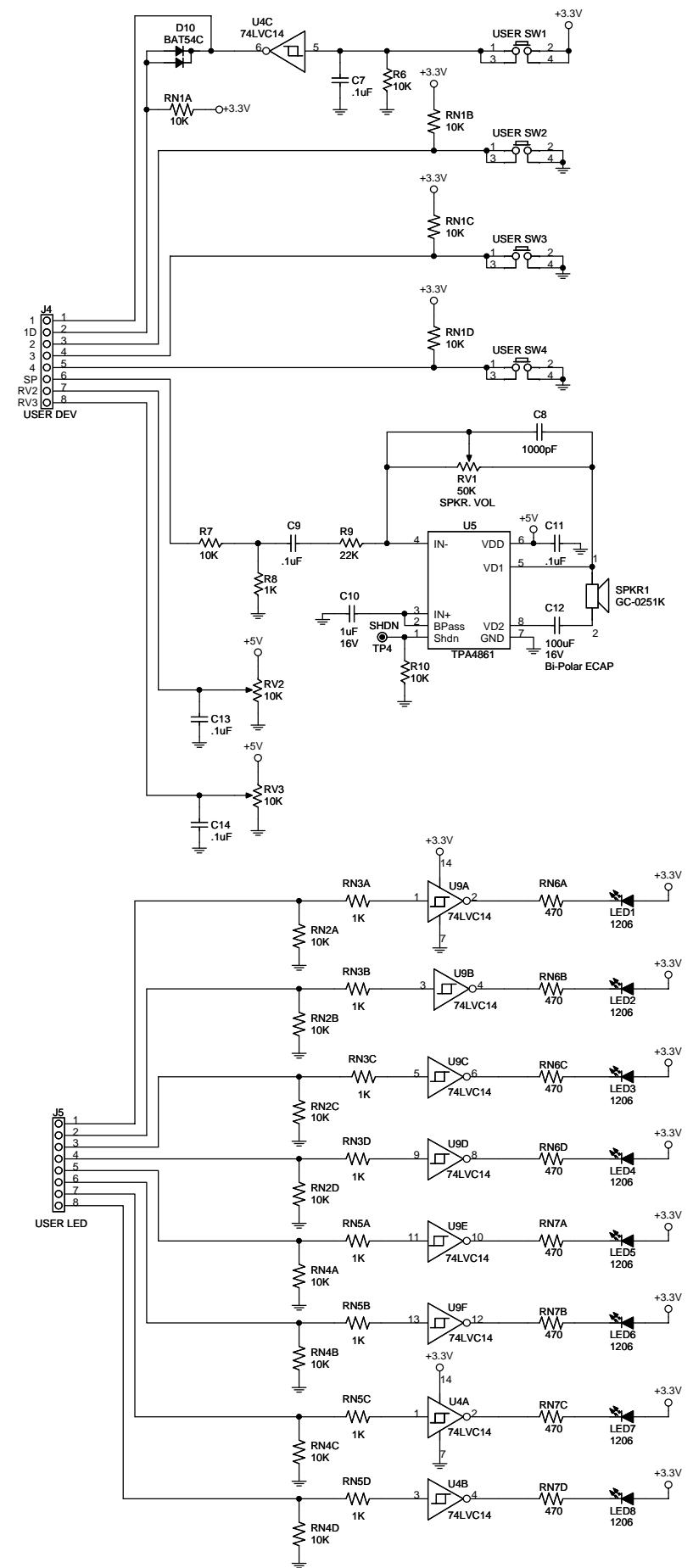


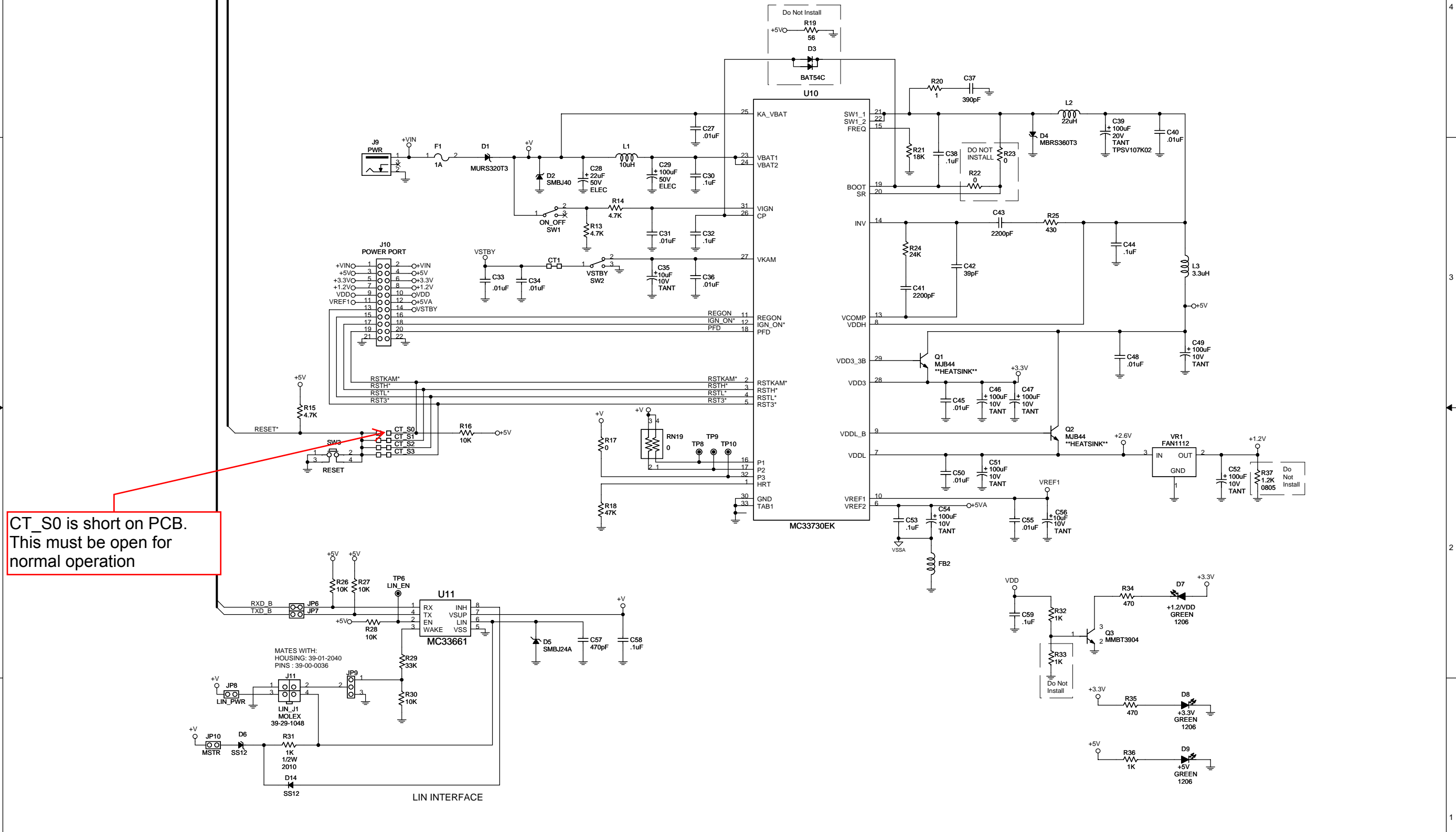
TO DAUGHTER BOARDS:
MPC5467DAT416
MPC5467DAT516



		Title	
		MPC5674EVBFXMB AXM-0473	
Drawn	GLM	Date	032610
Checked	DSR	Date	032610
Finish		Date	Friday, March 26, 2010
Size C		Document Number	DOC-0473-030
		Rev	B
		Sheet	1 of 4

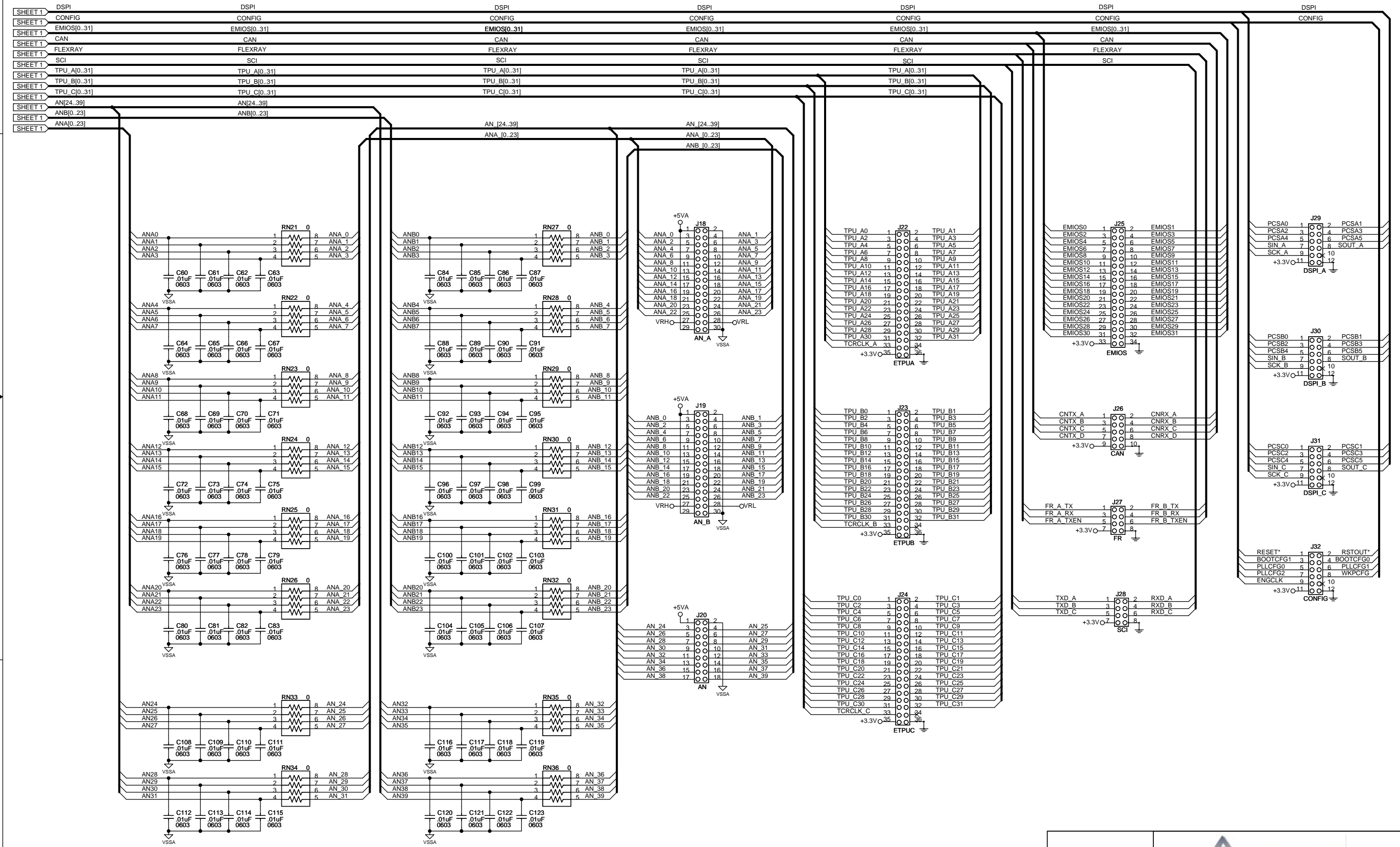


		Title	
		MPC5674EVBFXMB AXM-0473	
Approvals	Date	Size	Document Number
Drawn GLM	032610	C	DOC-0473-030
Checked DSR	032610	Rev	B
Finish	Date: Friday, March 26, 2010	Sheet	2 of 4



CT_S0 is short on PCB.
This must be open for
normal operation

Approvals	Date	Title	
Drawn GLM	032610	MPC5674EVBFXMB AXM-0473	
Checked DSR	032610	Size C	Document Number
Finish		DOC-0473-030	
		Date: Friday, March 26, 2010	Sheet 3 of 4



Approvals	Date
Drawn GLM	032610
Checked DSR	032610
Finish	
Title	
MPC5674EVBFXMB AXM-0473	
Document Number	
DOC-0473-030	
Rev B	
Date: Friday, March 26, 2010	
Sheet 4 of 4	