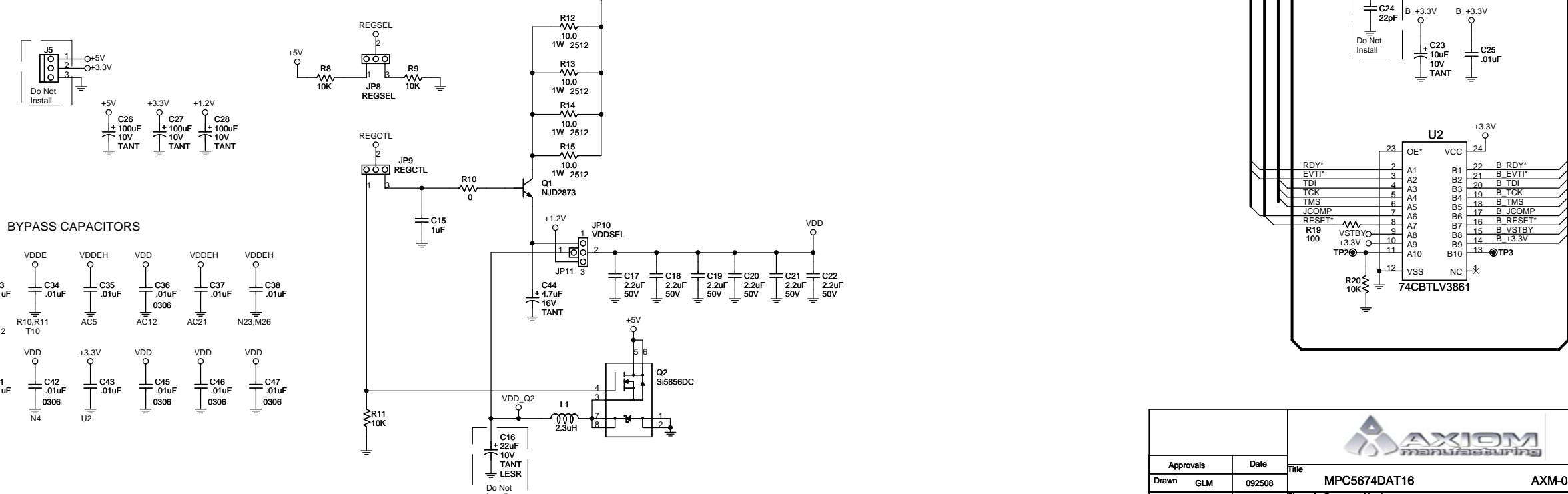
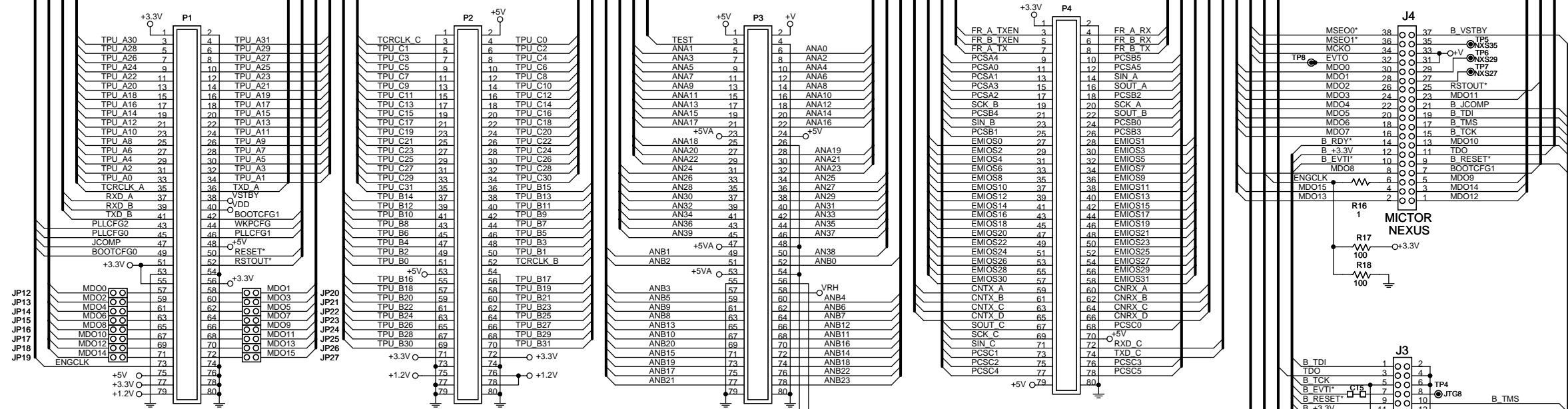


Approvals		Date	Title	
Drawn	GLM	092508	MPC5674DAT416 AXM-0471	
Checked	RDF	092508	Size	Document Number
Finish			C	DOC-0471-030
Date: Monday, October 13, 2008			Sheet	1 of 2

SHEET1	JTAG	JTAG	JTAG	JTAG	JTAG	JTAG
SHEET1	CONFIG	CONFIG	CONFIG	CONFIG	CONFIG	CONFIG
SHEET1	NEXUS	NEXUS	NEXUS	NEXUS	NEXUS	NEXUS
SHEET1	MDO[0..15]	MDO[0..15]	MDO[0..15]	MDO[0..15]	MDO[0..15]	MDO[0..15]
SHEET1	SCI	SCI	SCI	SCI	SCI	SCI
SHEET1	CAN	CAN	CAN	CAN	CAN	CAN
SHEET1	EMIOS[0..31]	EMIOS[0..31]	EMIOS[0..31]	EMIOS[0..31]	EMIOS[0..31]	EMIOS[0..31]
SHEET1	DSP	DSP	DSP	DSP	DSP	DSP
SHEET1	FLEXRAY	FLEXRAY	FLEXRAY	FLEXRAY	FLEXRAY	FLEXRAY
SHEET1	ANB[0..23]	ANB[0..23]	ANB[0..23]	ANB[0..23]	ANB[0..23]	ANB[0..23]
SHEET1	ANA[24..39]	ANA[0..23]	ANA[0..23]	ANA[0..23]	ANA[0..23]	ANA[0..23]
SHEET1	ANA[0..23]	ANA[0..23]	ANA[0..23]	ANA[0..23]	ANA[0..23]	ANA[0..23]
SHEET1	TPU B[0..31]	TPU B[0..31]	TPU B[0..31]	TPU B[0..31]	TPU B[0..31]	TPU B[0..31]
SHEET1	TPU C[0..31]	TPU C[0..31]	TPU C[0..31]	TPU C[0..31]	TPU C[0..31]	TPU C[0..31]
SHEET1	TPU A[0..31]	TPU A[0..31]	TPU A[0..31]	TPU A[0..31]	TPU A[0..31]	TPU A[0..31]



BYPASS CAPACITORS

VDDE	VDDE	VDDE	VDDE	VDDEH	VDD	VDDEH	VDDEH
C31	C32	C33	C34	C35	C36	C37	C38
.01uF	.01uF	.01uF	.01uF	.01uF	.01uF	.01uF	.01uF
N10,P10	R10,R11	T11,U10	R10,R11	AC5	AC12	AC21	N23,M26
P11	T10	U11,T12,U12	T10				
VDDEH	VDDEH	VDDE	VDD	+3.3V	VDD	VDD	VDD
C39	C40	C41	C42	C43	C45	C46	C47
.01uF	.01uF	.01uF	.01uF	.01uF	.01uF	.01uF	.01uF
E23,D24	AF22,AF25	AF5	N4	U2			
VDD	VDD						
C48	C49						
.01uF	.01uF						
0306	0306						

		Title	
		MPC5674DAT16 AXM-0471	
Drawn	GLM	Date	092508
Checked	RDF	Date	092508
Finish		Date	Monday, October 13, 2008
Size		Document Number	DOC-0471-030
Sheet		2 of 2	