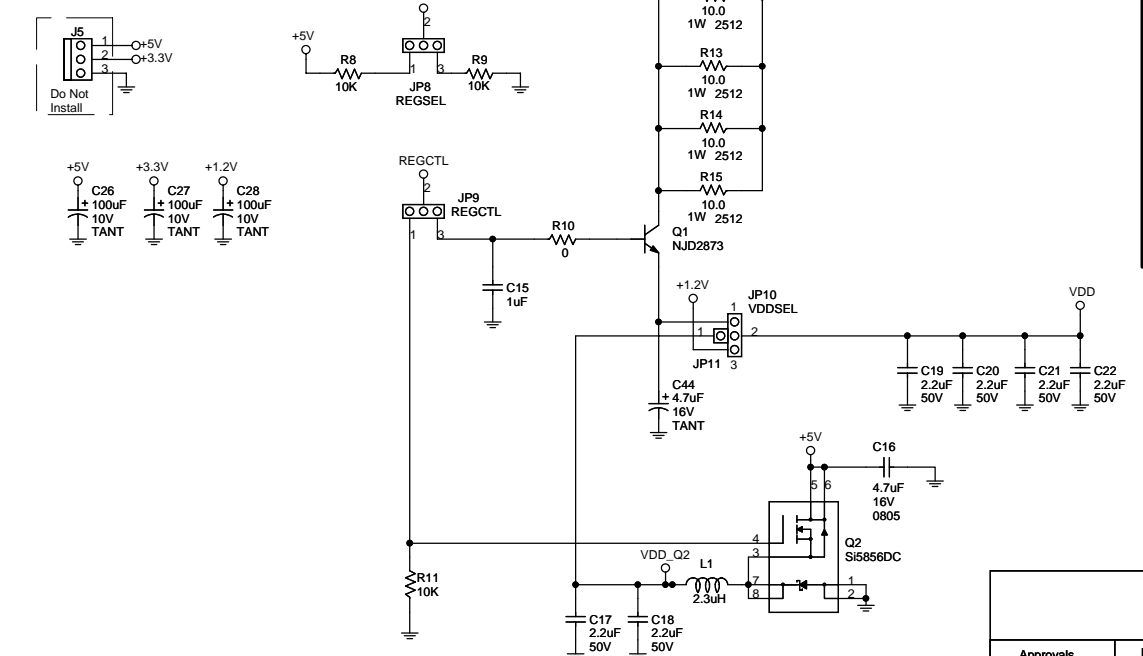
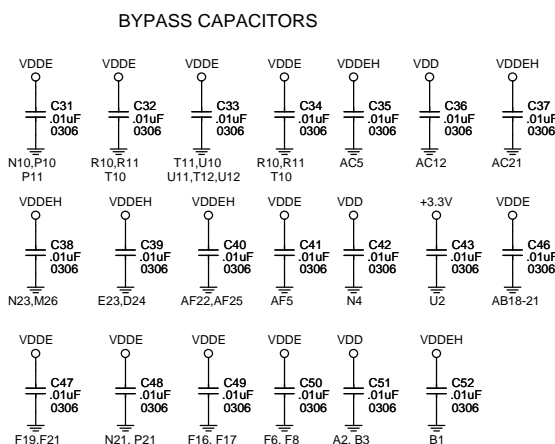
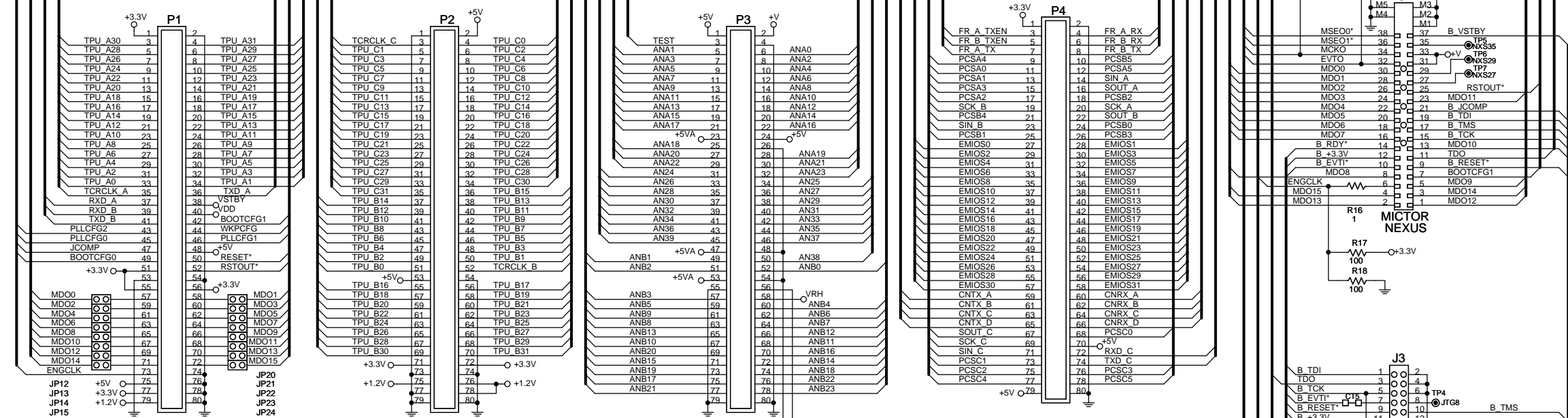


SHEET2	D_ADD[9..30]		
SHEET2	TPU_A[0..31]		
SHEET2	TPU_B[0..31]		
SHEET2	TPU_C[0..31]		

Approvals		Date	Title
Drawn	GLM	020210	MPC5674ADAT516 AXM-0472
Checked	DSR	020210	Document Number DOC-0472-030
Finish		Date: Tuesday, February 02, 2010	Sheet 1 of 3



SHEET1	JTAG	JTAG	JTAG	JTAG	JTAG	JTAG
SHEET1	CONFIG	CONFIG	CONFIG	CONFIG	CONFIG	CONFIG
SHEET1	NEXUS	NEXUS	NEXUS	NEXUS	NEXUS	NEXUS
SHEET1	MDO[0..15]	MDO[0..15]	MDO[0..15]	MDO[0..15]	MDO[0..15]	MDO[0..15]
SHEET1	SCI	SCI	SCI	SCI	SCI	SCI
SHEET1	CAN	CAN	CAN	CAN	CAN	CAN
SHEET1	EMIOS[0..31]	EMIOS[0..31]	EMIOS[0..31]	EMIOS[0..31]	EMIOS[0..31]	EMIOS[0..31]
SHEET1	DSP	DSP	DSP	DSP	DSP	DSP
SHEET1	FLEXRAY	FLEXRAY	FLEXRAY	FLEXRAY	FLEXRAY	FLEXRAY
SHEET1	ANB[0..23]	ANB[0..23]	ANB[0..23]	ANB[0..23]	ANB[0..23]	ANB[0..23]
SHEET1	ANA[24..39]	ANA[24..39]	ANA[24..39]	ANA[24..39]	ANA[24..39]	ANA[24..39]
SHEET1	ANA[0..23]	ANA[0..23]	ANA[0..23]	ANA[0..23]	ANA[0..23]	ANA[0..23]
SHEET1	TPU B[0..31]	TPU B[0..31]	TPU B[0..31]	TPU B[0..31]	TPU B[0..31]	TPU B[0..31]
SHEET1	TPU C[0..31]	TPU C[0..31]	TPU C[0..31]	TPU C[0..31]	TPU C[0..31]	TPU C[0..31]
SHEET1	TPU A[0..31]	TPU A[0..31]	TPU A[0..31]	TPU A[0..31]	TPU A[0..31]	TPU A[0..31]



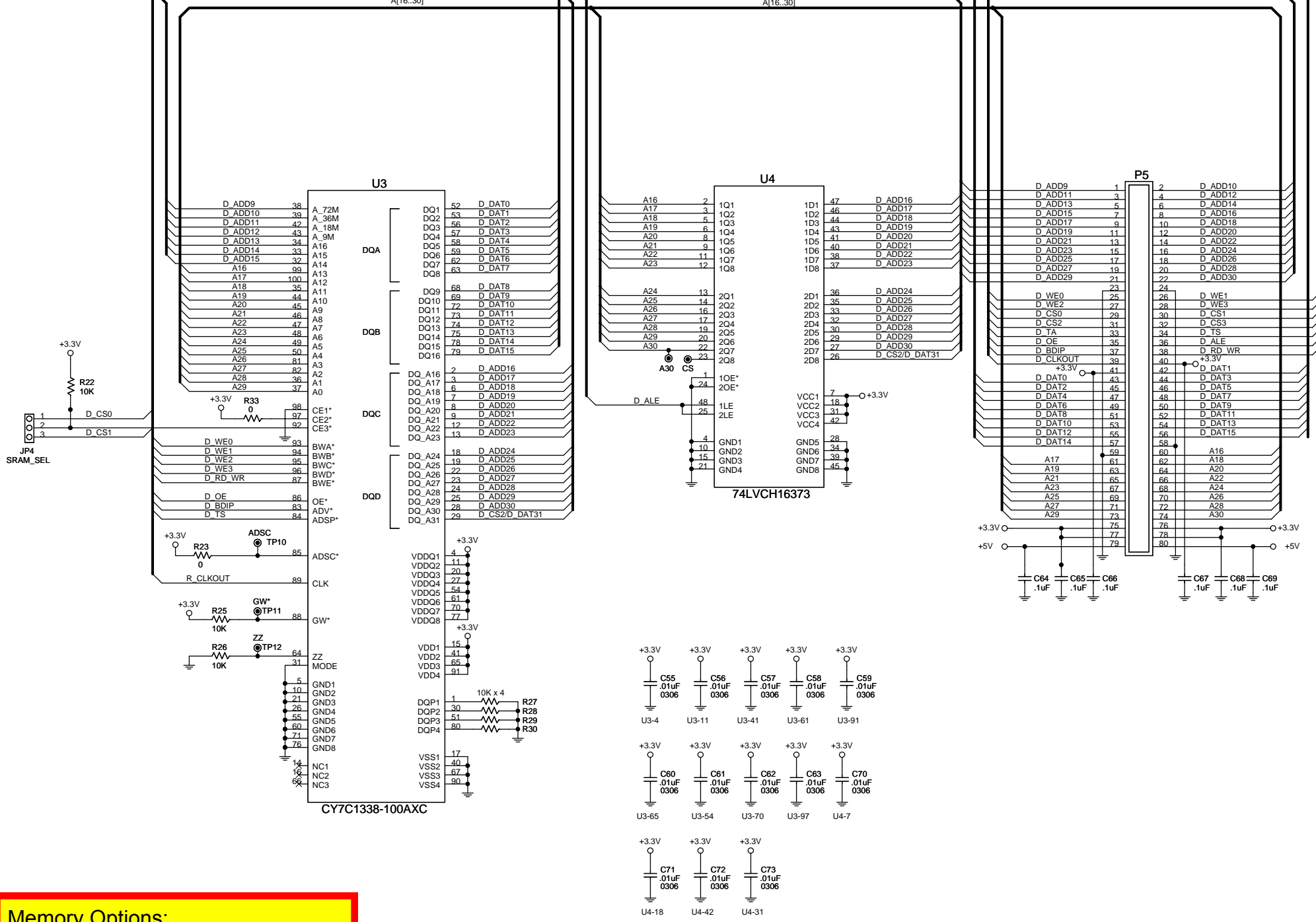
Approvals		Date	Title					
			MPC5674ADAT516	AXM-0472				
Drawn	GLM	020210	Size	C	Document Number	DOC-0472-030	Rev	C
Checked	DSR	020210	Finish		Date:	Tuesday, February 02, 2010	Sheet	2 of 3

SHEET1 CONFIG
 D_DATA[0..15]
 D_ADD[9..30]

SHEET1 CONFIG
 D_DATA[0..15]
 D_ADD[9..30]

SHEET1 CONFIG
 D_DATA[0..15]
 D_ADD[9..30]

SHEET1 CONFIG
 D_DATA[0..15]
 D_ADD[9..30]



Memory Options:
 CY7C1338G, 128K x 32, A[13:29]
 CY7C1471V33, 2M x 36, A[9:29]
 Corrected for Rev C boards

Approvals	Date	Title	
Drawn GLM	020210	MPC5674ADAT516 AXM-0472	
Checked DSR	020210	Size C	Document Number
Finish		DOC-0472-030	
		Date: Tuesday, February 02, 2010	Sheet 3 of 3