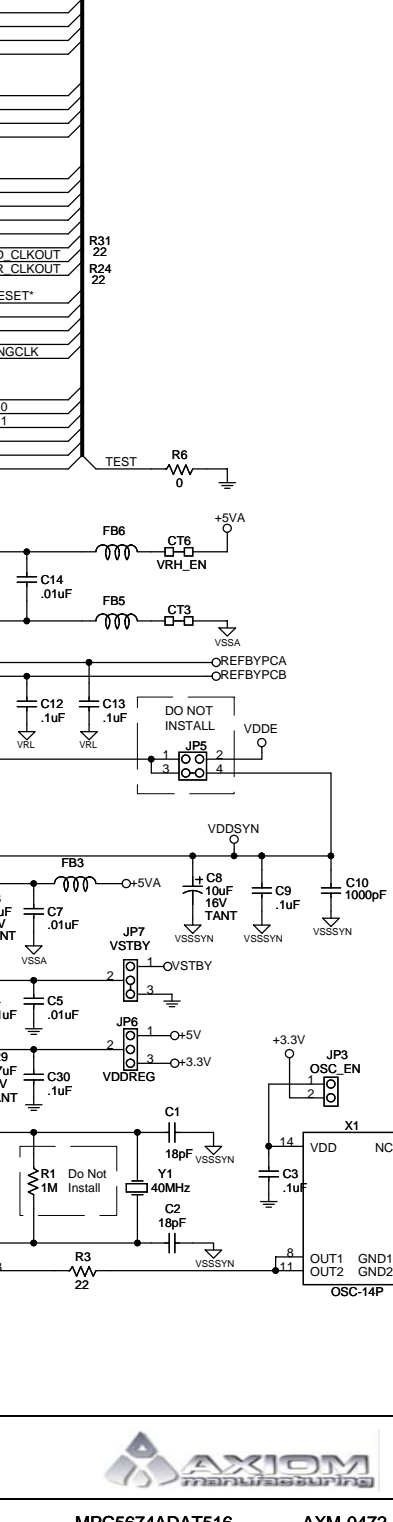
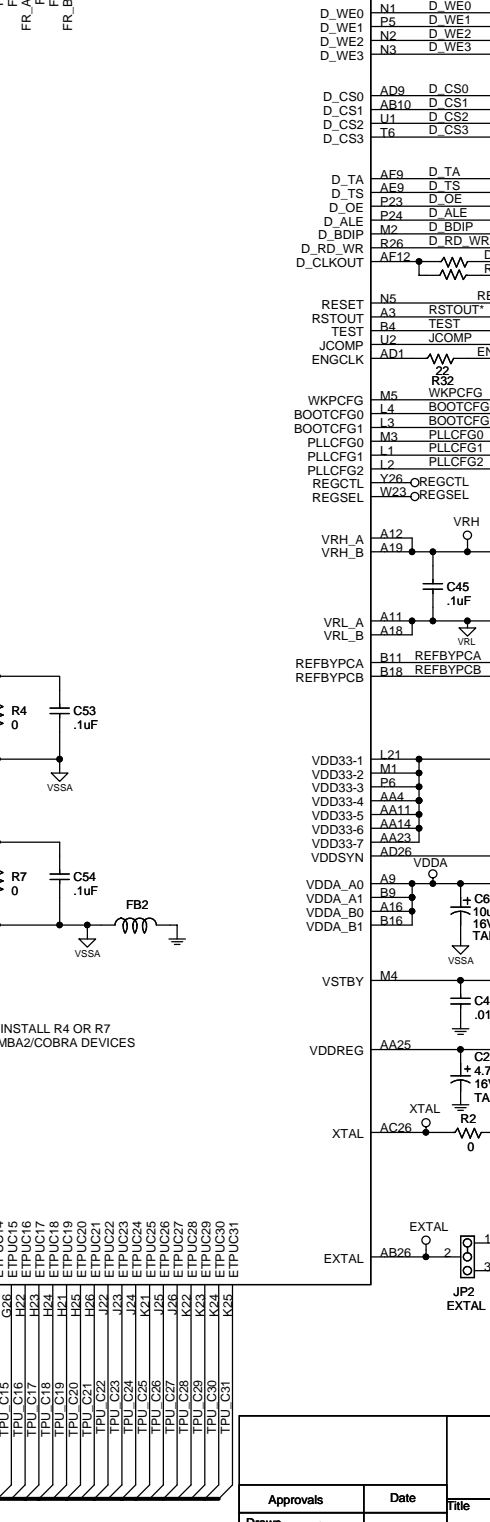
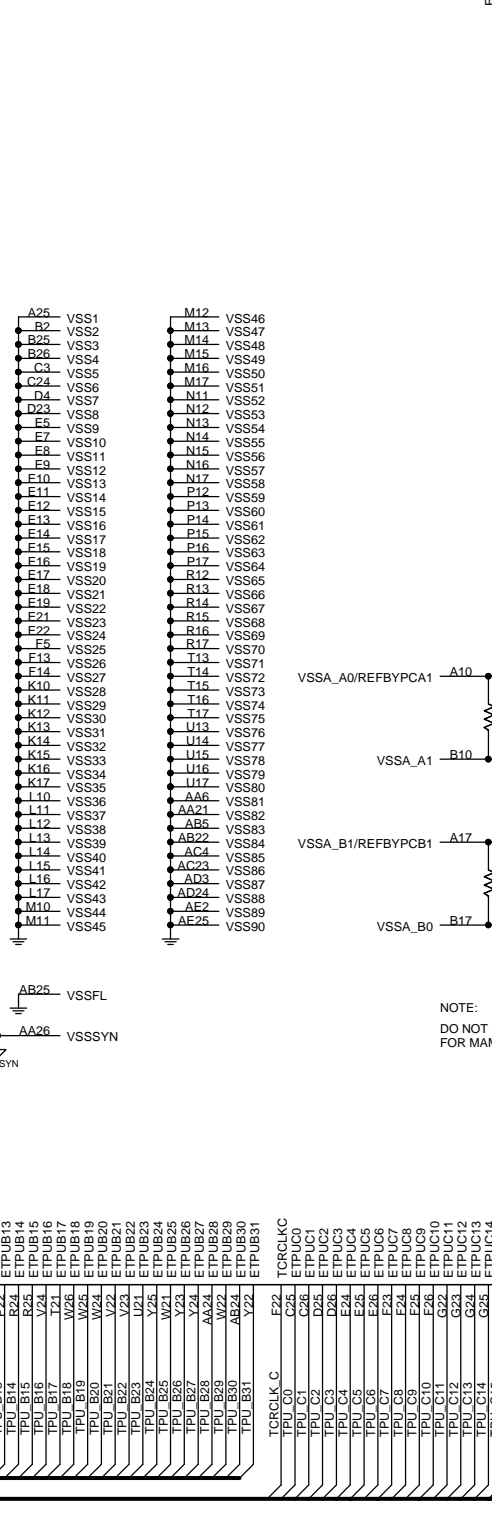
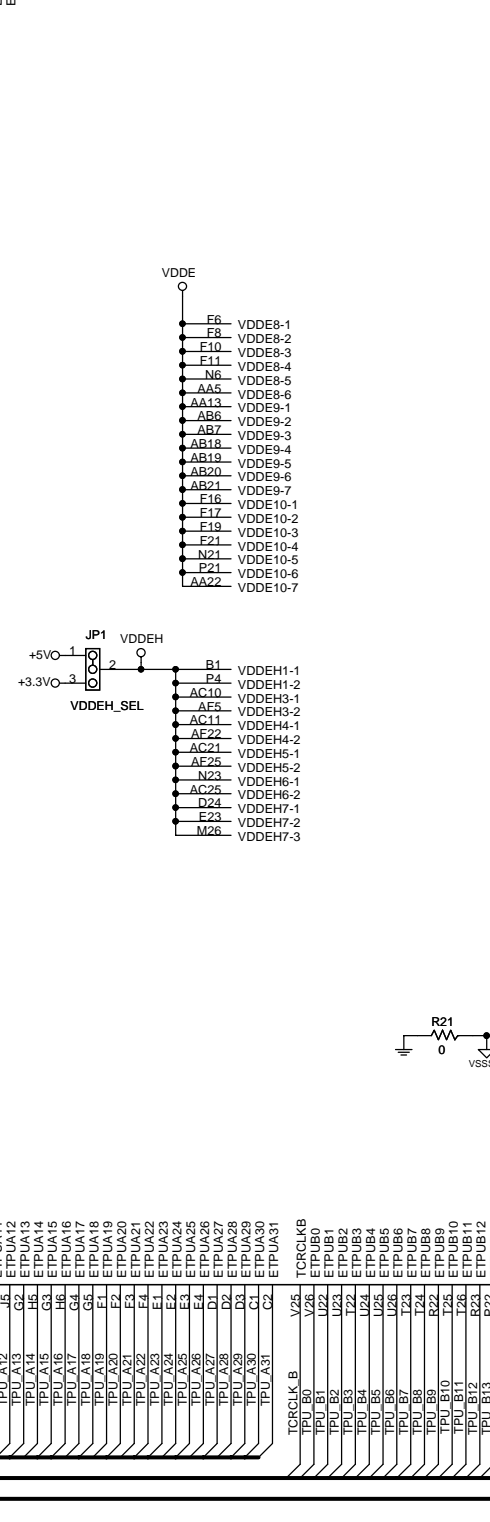
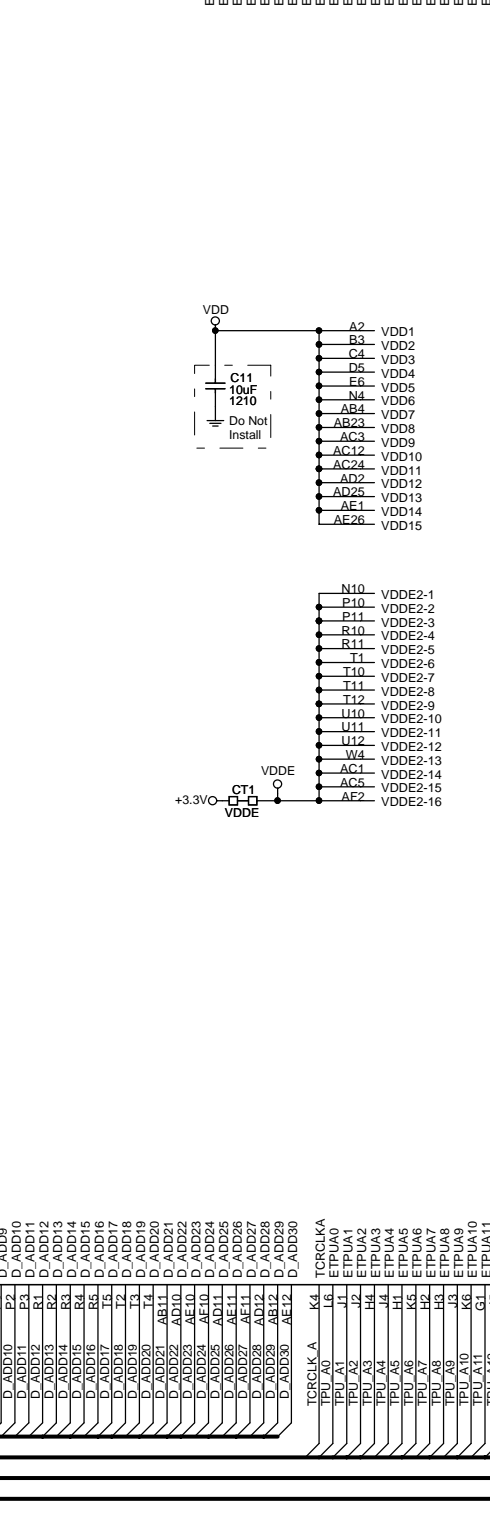


D_DAT[0..15]	SHEET2
AN[24..39]	SHEET2
ANB[0..23]	SHEET2
ANA[0..23]	SHEET2
EMIOS[0..31]	SHEET2
MDO[0..15]	SHEET2
DSPI	SHEET2
CAN	SHEET2
SCI	SHEET2
FLEXRAY	SHEET2
JTAG	SHEET2
NEXUS	SHEET2
CONFIG	SHEET2

ANA0	A4	ANA0
ANA1	B5	ANA1
ANA2	C8	ANA2
ANA3	D8	ANA3
ANA4	A5	ANA4
ANA5	B6	ANA5
ANA6	C8	ANA6
ANA7	C7	ANA7
ANA8	D7	ANA8
ANA9	A6	ANA9
ANA10	B7	ANA10
ANA11	A7	ANA11
ANA12	D8	ANA12
ANA13	C8	ANA13
ANA14	B8	ANA14
ANA15	A8	ANA15
ANA16	D9	ANA16
ANA17	C9	ANA17
ANA18	D10	ANA18
ANA19	C10	ANA19
ANA20	D11	ANA20
ANA21	C11	ANA21
ANA22	C12	ANA22
ANA23	D12	ANA23

ANB0	C18	ANB0
ANB1	D17	ANB1
ANB2	D18	ANB2
ANB3	D19	ANB3
ANB4	C19	ANB4
ANB5	A20	ANB5
ANB6	C20	ANB6
ANB7	C19	ANB7
ANB8	B20	ANB8
ANB9	A21	ANB9
ANB10	B21	ANB10
ANB11	C21	ANB11
ANB12	A22	ANB12
ANB13	B22	ANB13
ANB14	D20	ANB14
ANB15	C22	ANB15
ANB16	D21	ANB16
ANB17	D22	ANB17
ANB18	A23	ANB18
ANB19	B23	ANB19
ANB20	C23	ANB20
ANB21	A24	ANB21
ANB22	B24	ANB22
ANB23	E20	ANB23

D_DAT0	P25	D_DAT0
D_DAT1	P26	D_DAT1
D_DAT2	N24	D_DAT2
D_DAT3	N25	D_DAT3
D_DAT4	N26	D_DAT4
D_DAT5	N25	D_DAT5
D_DAT6	N22	D_DAT6
D_DAT7	M24	D_DAT7
D_DAT8	M23	D_DAT8
D_DAT9	M22	D_DAT9
D_DAT10	L26	D_DAT10
D_DAT11	L26	D_DAT11
D_DAT12	L24	D_DAT12
D_DAT13	L23	D_DAT13
D_DAT14	L22	D_DAT14
D_DAT15	K26	D_DAT15

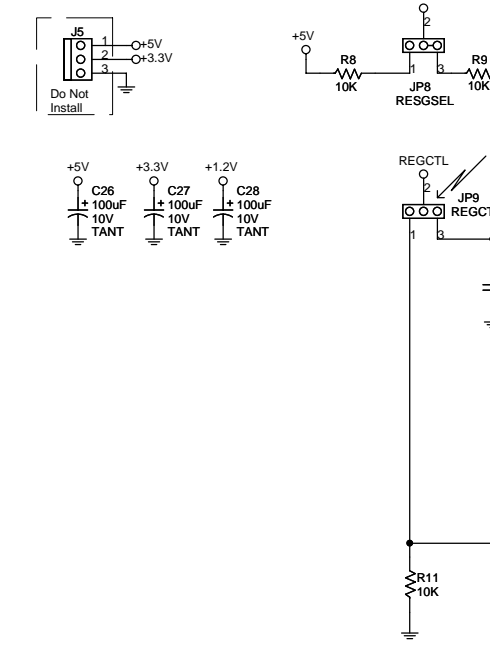
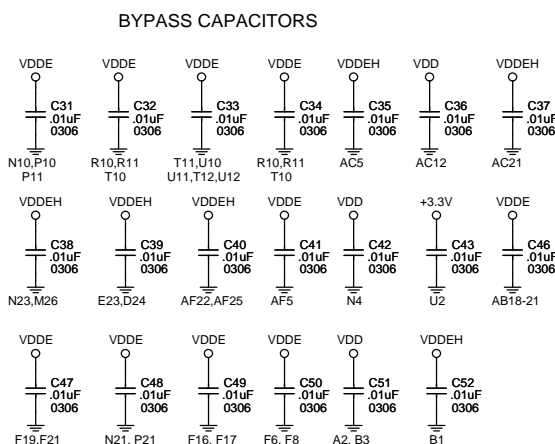
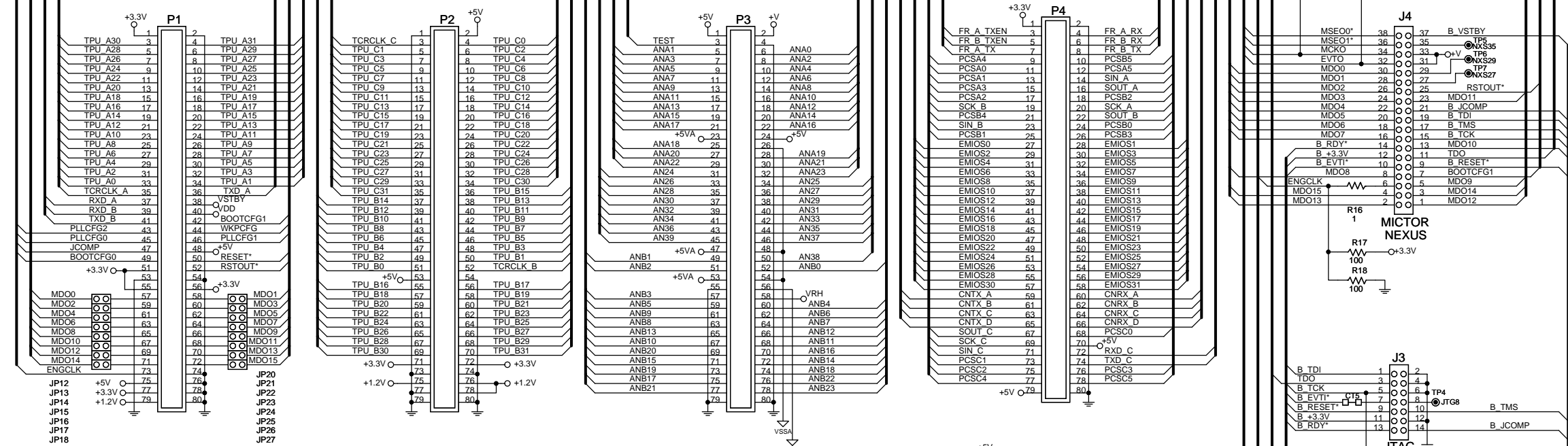


SHEET2	D_ADD[9..30]
SHEET2	TPU_A[0..31]
SHEET2	TPU_B[0..31]
SHEET2	TPU_C[0..31]

Approvals		Date	Title
Drawn	GLM	080609	MPC5674ADAT516 AXM-0472
Checked	DSR	080609	Document Number DOC-0472-030
Finish		Date: Thursday, August 06, 2009	Sheet 1 of 3

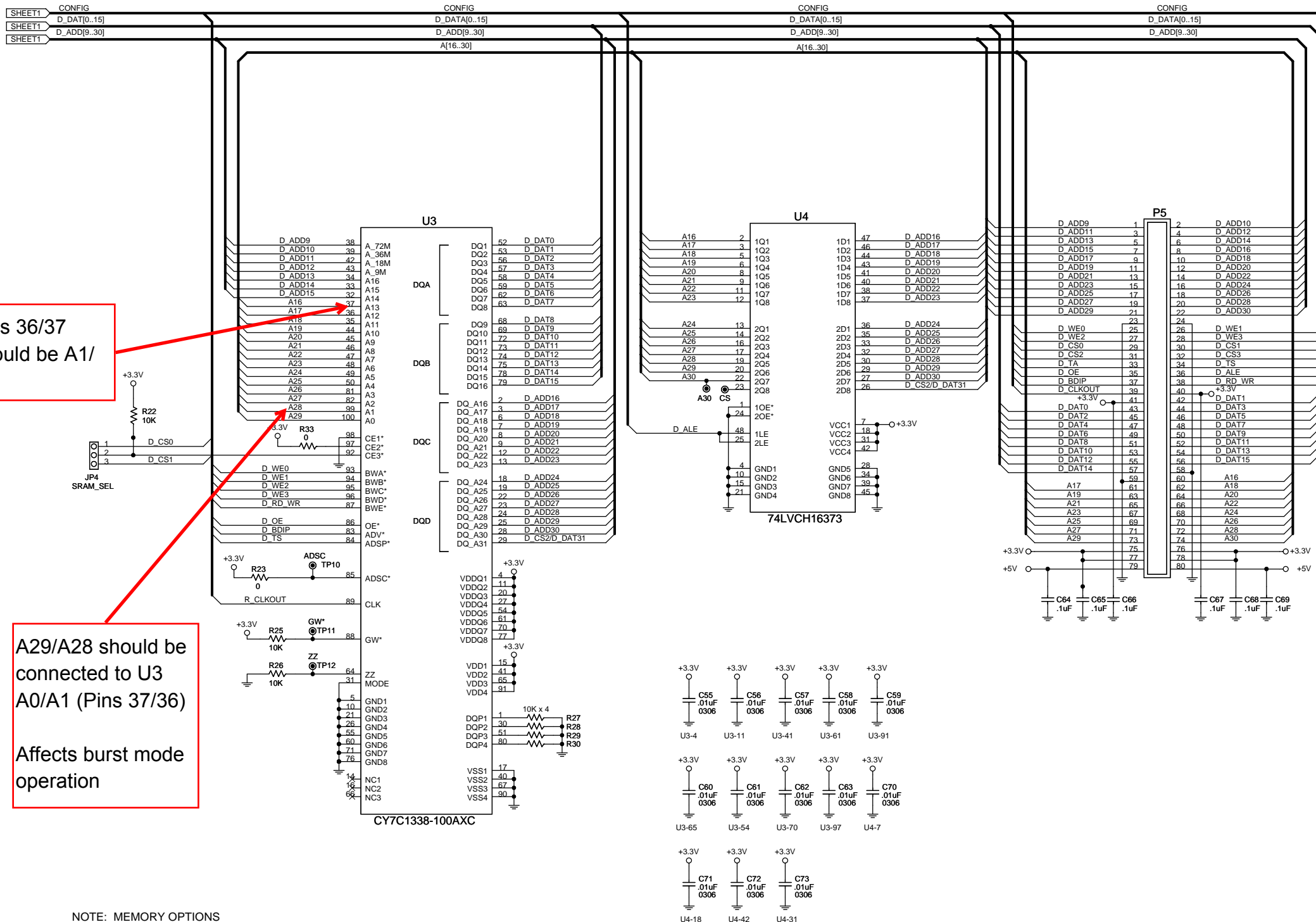


SHEET1	JTAG	JTAG	JTAG	JTAG	JTAG	JTAG
SHEET1	CONFIG	CONFIG	CONFIG	CONFIG	CONFIG	CONFIG
SHEET1	NEXUS	NEXUS	NEXUS	NEXUS	NEXUS	NEXUS
SHEET1	MDO[0..15]	MDO[0..15]	MDO[0..15]	MDO[0..15]	MDO[0..15]	MDO[0..15]
SHEET1	SCI	SCI	SCI	SCI	SCI	SCI
SHEET1	CAN	CAN	CAN	CAN	CAN	CAN
SHEET1	EMIOS[0..31]	EMIOS[0..31]	EMIOS[0..31]	EMIOS[0..31]	EMIOS[0..31]	EMIOS[0..31]
SHEET1	DSP	DSP	DSP	DSP	DSP	DSP
SHEET1	FLEXRAY	FLEXRAY	FLEXRAY	FLEXRAY	FLEXRAY	FLEXRAY
SHEET1	ANB[0..23]	ANB[0..23]	ANB[0..23]	ANB[0..23]	ANB[0..23]	ANB[0..23]
SHEET1	ANA[24..39]	ANA[24..39]	ANA[0..23]	ANA[0..23]	ANA[0..23]	ANA[0..23]
SHEET1	ANA[0..23]	ANA[0..23]	ANA[0..23]	ANA[0..23]	ANA[0..23]	ANA[0..23]
SHEET1	TPU B[0..31]	TPU B[0..31]	TPU B[0..31]	TPU B[0..31]	TPU B[0..31]	TPU B[0..31]
SHEET1	TPU C[0..31]	TPU C[0..31]	TPU C[0..31]	TPU C[0..31]	TPU C[0..31]	TPU C[0..31]
SHEET1	TPU A[0..31]	TPU A[0..31]	TPU A[0..31]	TPU A[0..31]	TPU A[0..31]	TPU A[0..31]



Approvals		Date	Title	AXM-0472
Drawn	GLM	080609	MPC5674ADAT516	
Checked	DSR	080609	Document Number	DOC-0472-030
Finish			Date	Thursday, August 06, 2009
			Sheet	2 of 3





Pins 36/37 should be A1/A0

A29/A28 should be connected to U3 A0/A1 (Pins 37/36)
Affects burst mode operation

NOTE: MEMORY OPTIONS
CY7C1338G, 128K x 32 A[15:30]
CY7C1471V33, 2M x 36 A[10:30]

Approvals	Date	Title	
Drawn GLM	080609	MPC5674ADAT516 AXM-0472	
Checked DSR	080609	Size C	Document Number
Finish		DOC-0472-030	
Date: Thursday, August 06, 2009		Sheet	3 of 3