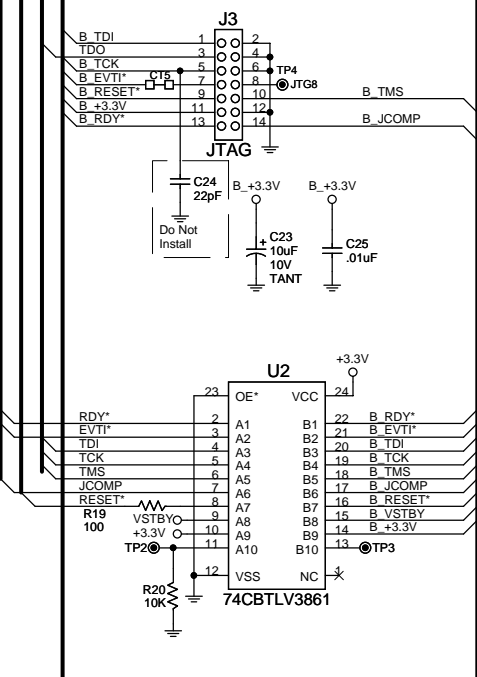
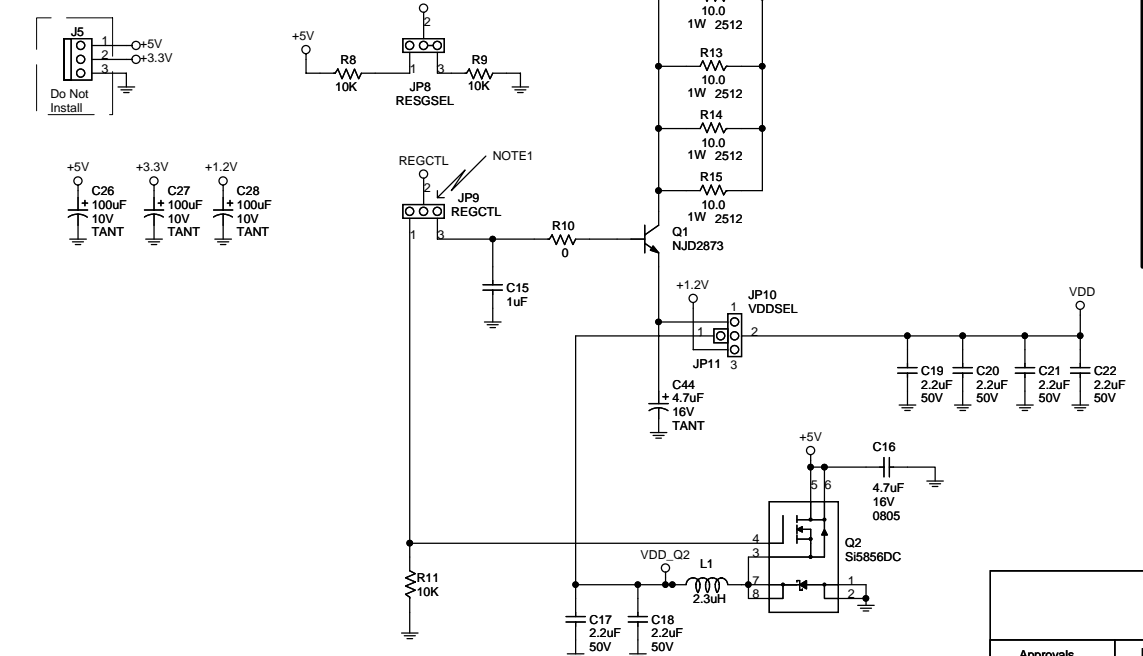
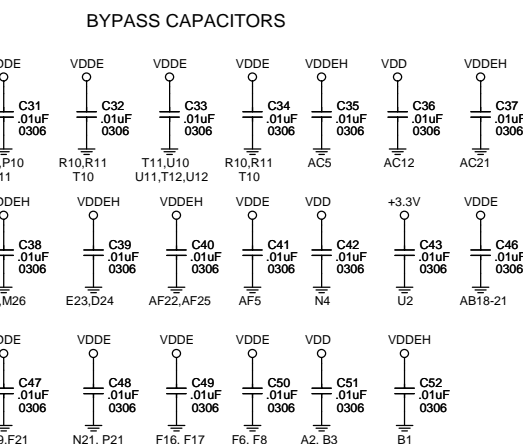
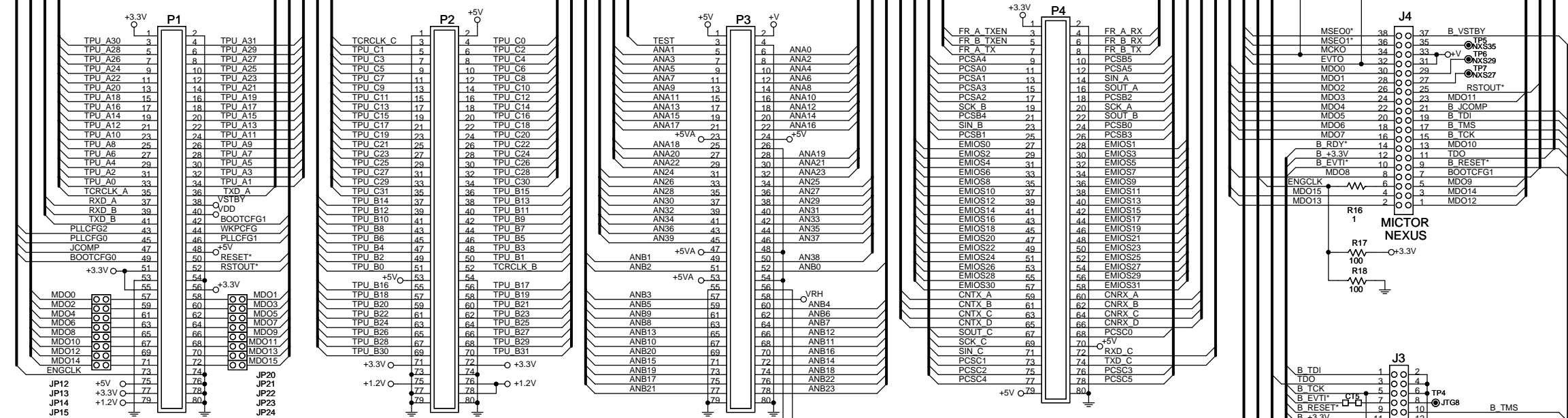


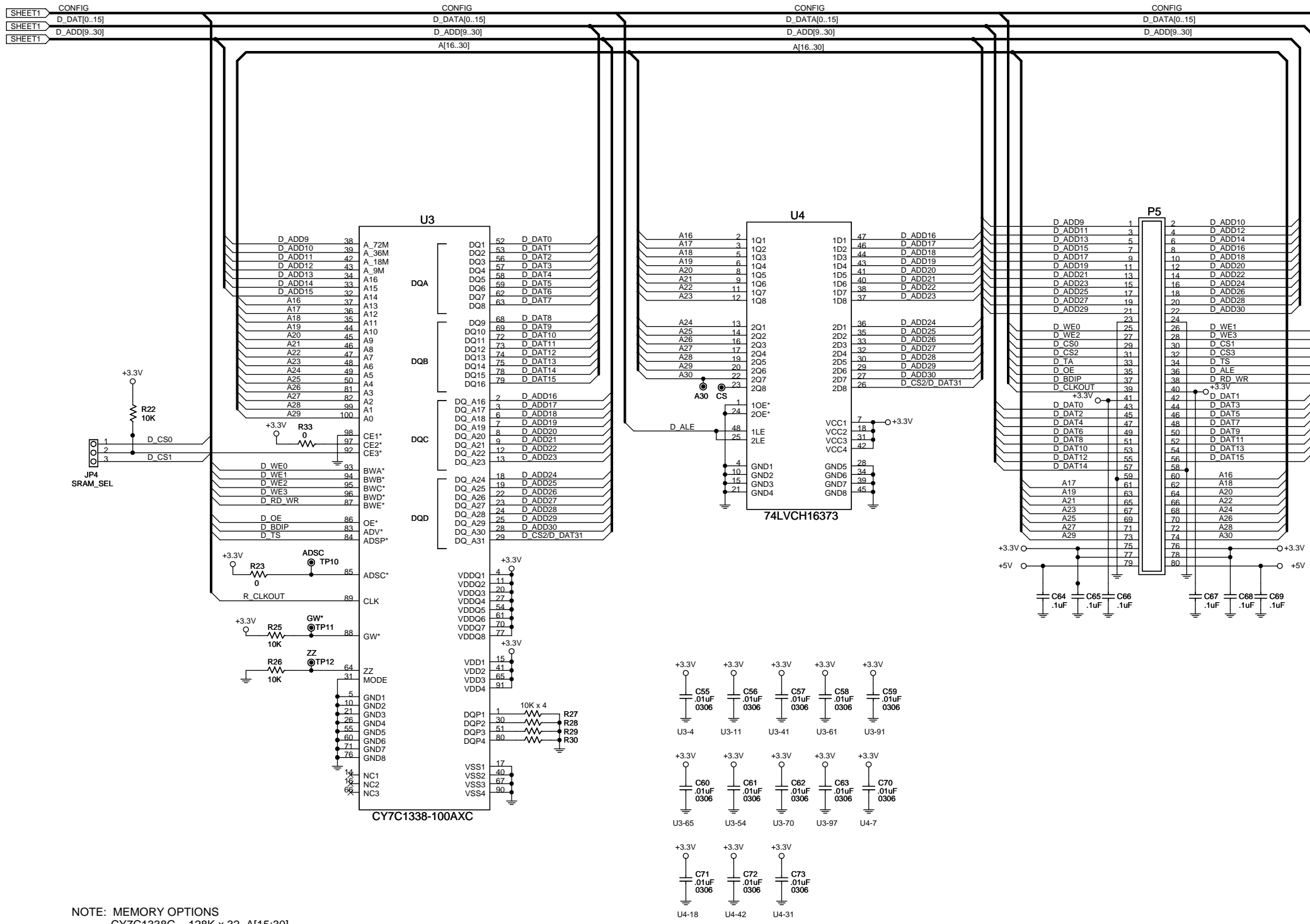
SHEET1	JTAG	JTAG	JTAG	JTAG	JTAG	JTAG
SHEET1	CONFIG	CONFIG	CONFIG	CONFIG	CONFIG	CONFIG
SHEET1	NEXUS	NEXUS	NEXUS	NEXUS	NEXUS	NEXUS
SHEET1	MDO[0..15]	MDO[0..15]	MDO[0..15]	MDO[0..15]	MDO[0..15]	MDO[0..15]
SHEET1	SCI	SCI	SCI	SCI	SCI	SCI
SHEET1	CAN	CAN	CAN	CAN	CAN	CAN
SHEET1	EMIOS[0..31]	EMIOS[0..31]	EMIOS[0..31]	EMIOS[0..31]	EMIOS[0..31]	EMIOS[0..31]
SHEET1	DSP	DSP	DSP	DSP	DSP	DSP
SHEET1	FLEXRAY	FLEXRAY	FLEXRAY	FLEXRAY	FLEXRAY	FLEXRAY
SHEET1	ANB[0..23]	ANB[0..23]	ANB[0..23]	ANB[0..23]	ANB[0..23]	ANB[0..23]
SHEET1	ANA[24..39]	ANA[24..39]	ANA[0..23]	ANA[0..23]	ANA[0..23]	ANA[0..23]
SHEET1	ANA[0..23]	ANA[0..23]	ANA[0..23]	ANA[0..23]	ANA[0..23]	ANA[0..23]
SHEET1	TPU B[0..31]	TPU B[0..31]	TPU B[0..31]	TPU B[0..31]	TPU B[0..31]	TPU B[0..31]
SHEET1	TPU C[0..31]	TPU C[0..31]	TPU C[0..31]	TPU C[0..31]	TPU C[0..31]	TPU C[0..31]
SHEET1	TPU A[0..31]	TPU A[0..31]	TPU A[0..31]	TPU A[0..31]	TPU A[0..31]	TPU A[0..31]



JP9
1 2 3
REGCTL

NOTE1
ADD WIRE ON
SOCKETED
PROTOTYPES

		Title	
		MPC5674DAT516 AXM-0472	
Drawn	GLM	Date	031209
Checked	DSR	Size	C
Finish		Date	Friday, March 20, 2009
Document Number		DOC-0472-030	
Rev		A	
Sheet		2 of 3	



NOTE: MEMORY OPTIONS
 CY7C1338G, 128K x 32 A[15:30]
 CY7C1471V33, 2M x 36 A[10:30]

Approvals		Date	Title	
Drawn	GLM	031209	MPC5674ADAT516 AXM-0472	
Checked	DSR	031209	Size C	Document Number
Finish			DOC-0472-030	
		Date: Friday, March 20, 2009	Sheet	3 of 3

