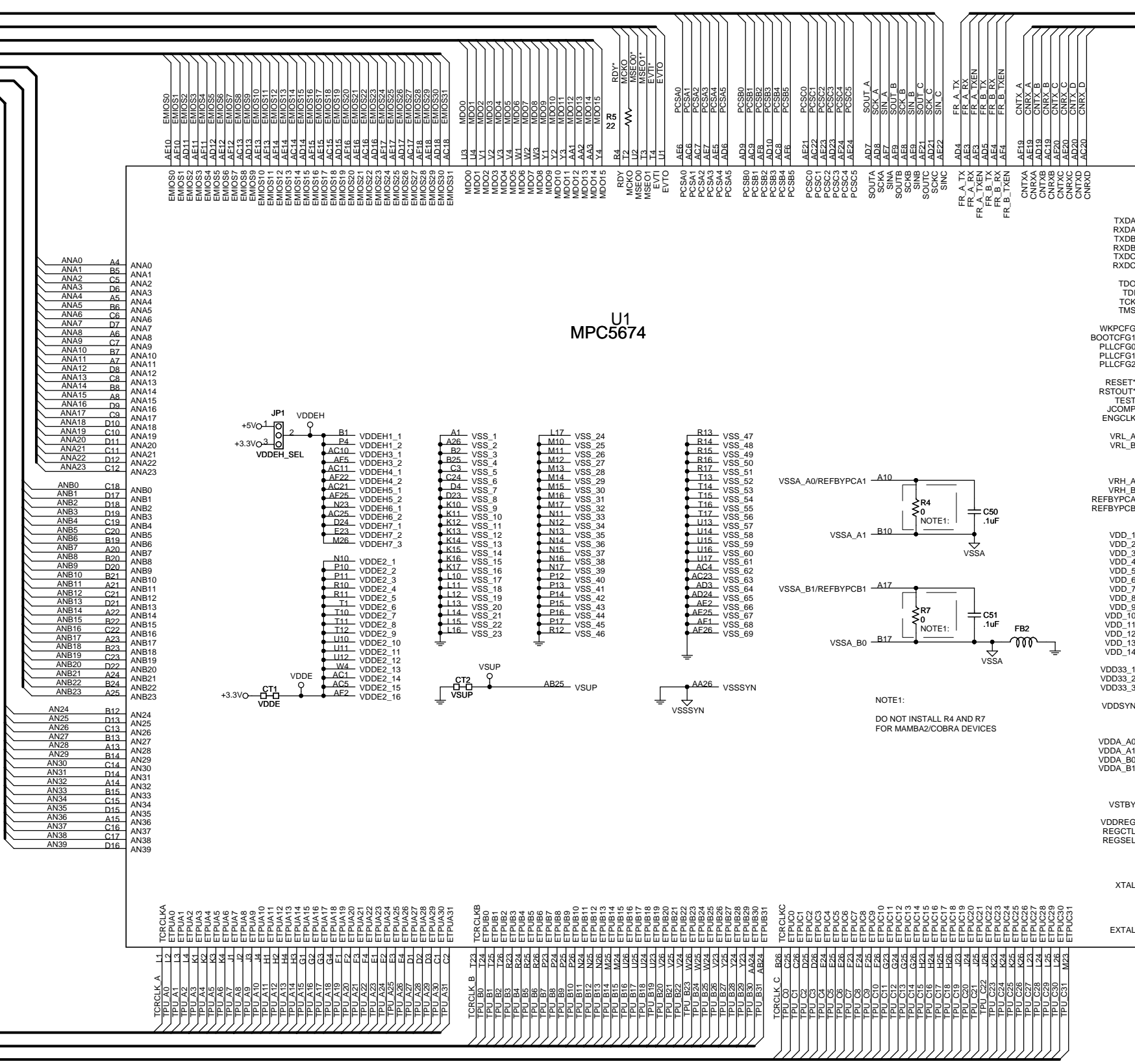
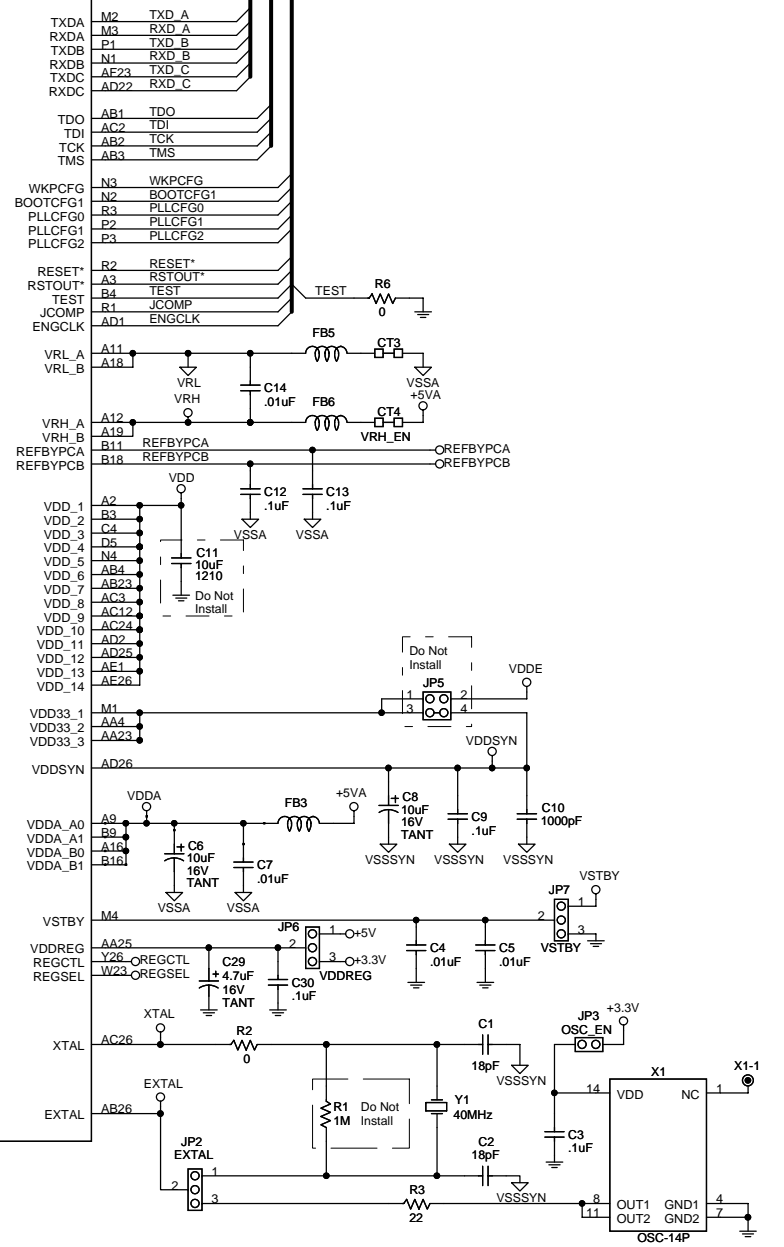
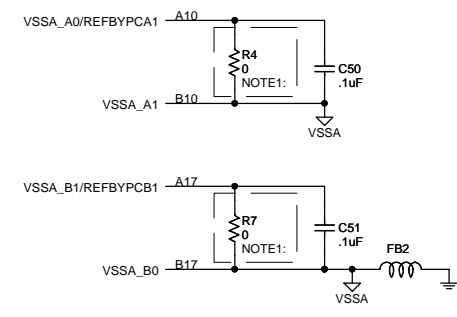


SHEET2 DSP1  
SHEET2 NEXUS  
SHEET2 MDO0\_15  
SHEET2 EMOS0\_31  
SHEET2 ANA0\_23  
SHEET2 ANB0\_23  
SHEET2 ANJ24\_39

FLEXRAY SHEET2  
CAN SHEET2  
SCI SHEET2  
JTAG SHEET2  
CONFIG SHEET2

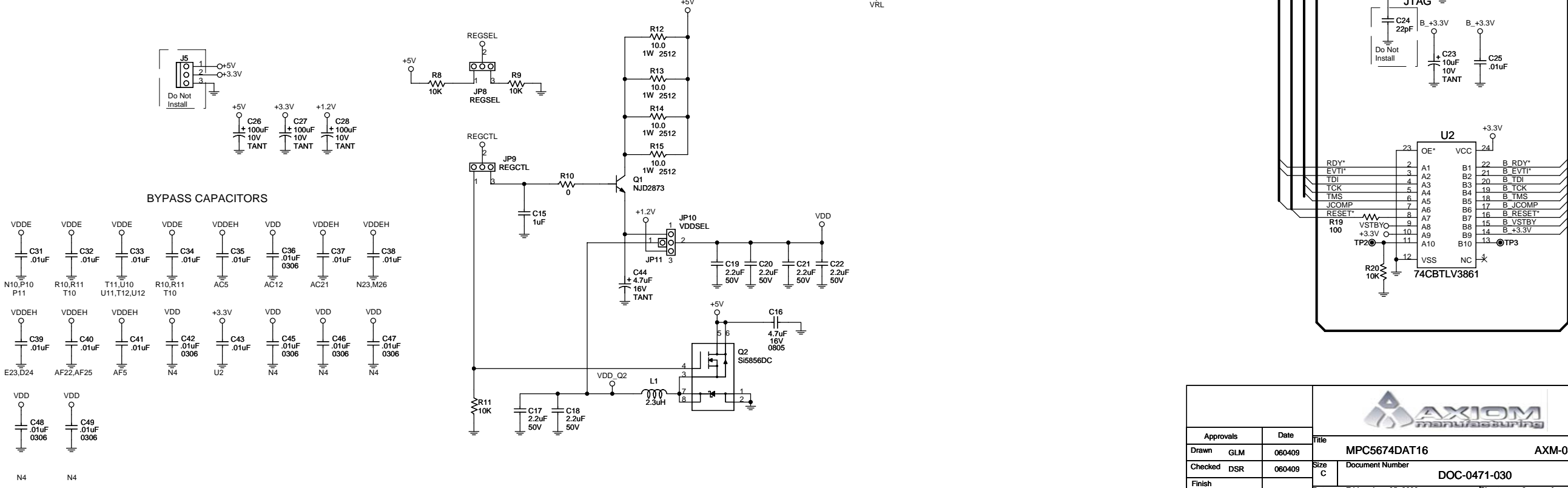
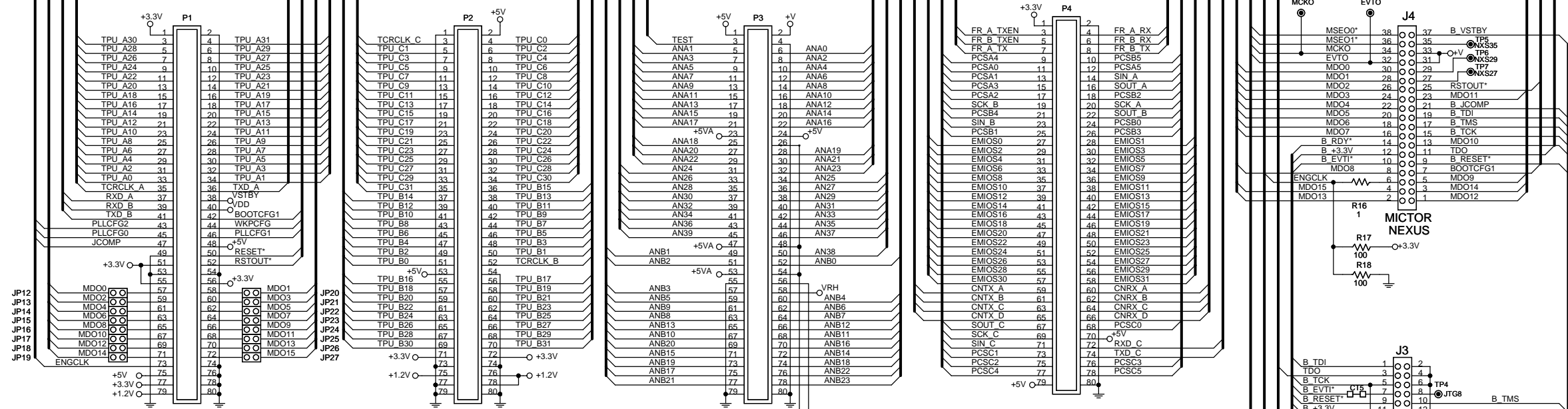


SHEET2 TPU A(0..31)  
SHEET2 TPU B(0..31)  
SHEET2 TPU C(0..31)



|                             |     |        |                        |                 |
|-----------------------------|-----|--------|------------------------|-----------------|
| Approvals                   |     | Date   | Title                  |                 |
| Drawn                       | GLM | 060409 | MPC5674DAT416 AXM-0471 |                 |
| Checked                     | DSR | 060409 | Size                   | Document Number |
| Finish                      |     |        | C                      | DOC-0471-030    |
| Date: Friday, June 05, 2009 |     |        | Sheet                  | 1 of 2          |

|        |              |              |              |              |              |              |
|--------|--------------|--------------|--------------|--------------|--------------|--------------|
| SHEET1 | JTAG         | JTAG         | JTAG         | JTAG         | JTAG         | JTAG         |
| SHEET1 | CONFIG       | CONFIG       | CONFIG       | CONFIG       | CONFIG       | CONFIG       |
| SHEET1 | NEXUS        | NEXUS        | NEXUS        | NEXUS        | NEXUS        | NEXUS        |
| SHEET1 | MDO[0..15]   | MDO[0..15]   | MDO[0..15]   | MDO[0..15]   | MDO[0..15]   | MDO[0..15]   |
| SHEET1 | SCI          | SCI          | SCI          | SCI          | SCI          | SCI          |
| SHEET1 | CAN          | CAN          | CAN          | CAN          | CAN          | CAN          |
| SHEET1 | EMIOS[0..31] | EMIOS[0..31] | EMIOS[0..31] | EMIOS[0..31] | EMIOS[0..31] | EMIOS[0..31] |
| SHEET1 | DSP          | DSP          | DSP          | DSP          | DSP          | DSP          |
| SHEET1 | FLEXRAY      | FLEXRAY      | FLEXRAY      | FLEXRAY      | FLEXRAY      | FLEXRAY      |
| SHEET1 | ANB[0..23]   | ANB[0..23]   | ANB[0..23]   | ANB[0..23]   | ANB[0..23]   | ANB[0..23]   |
| SHEET1 | ANA[24..39]  | ANA[0..23]   | ANA[0..23]   | ANA[0..23]   | ANA[0..23]   | ANA[0..23]   |
| SHEET1 | ANA[0..23]   | ANA[0..23]   | ANA[0..23]   | ANA[0..23]   | ANA[0..23]   | ANA[0..23]   |
| SHEET1 | TPU B[0..31] | TPU B[0..31] | TPU B[0..31] | TPU B[0..31] | TPU B[0..31] | TPU B[0..31] |
| SHEET1 | TPU C[0..31] | TPU C[0..31] | TPU C[0..31] | TPU C[0..31] | TPU C[0..31] | TPU C[0..31] |
| SHEET1 | TPU A[0..31] | TPU A[0..31] | TPU A[0..31] | TPU A[0..31] | TPU A[0..31] | TPU A[0..31] |



|         |     |                       |              |
|---------|-----|-----------------------|--------------|
|         |     | Title                 |              |
|         |     | MPC5674DAT16 AXM-0471 |              |
| Drawn   | GLM | Date                  | 060409       |
| Checked | DSR | Size                  | C            |
| Finish  |     | Document Number       | DOC-0471-030 |
| Date    |     | Friday, June 05, 2009 | Sheet 2 of 2 |