

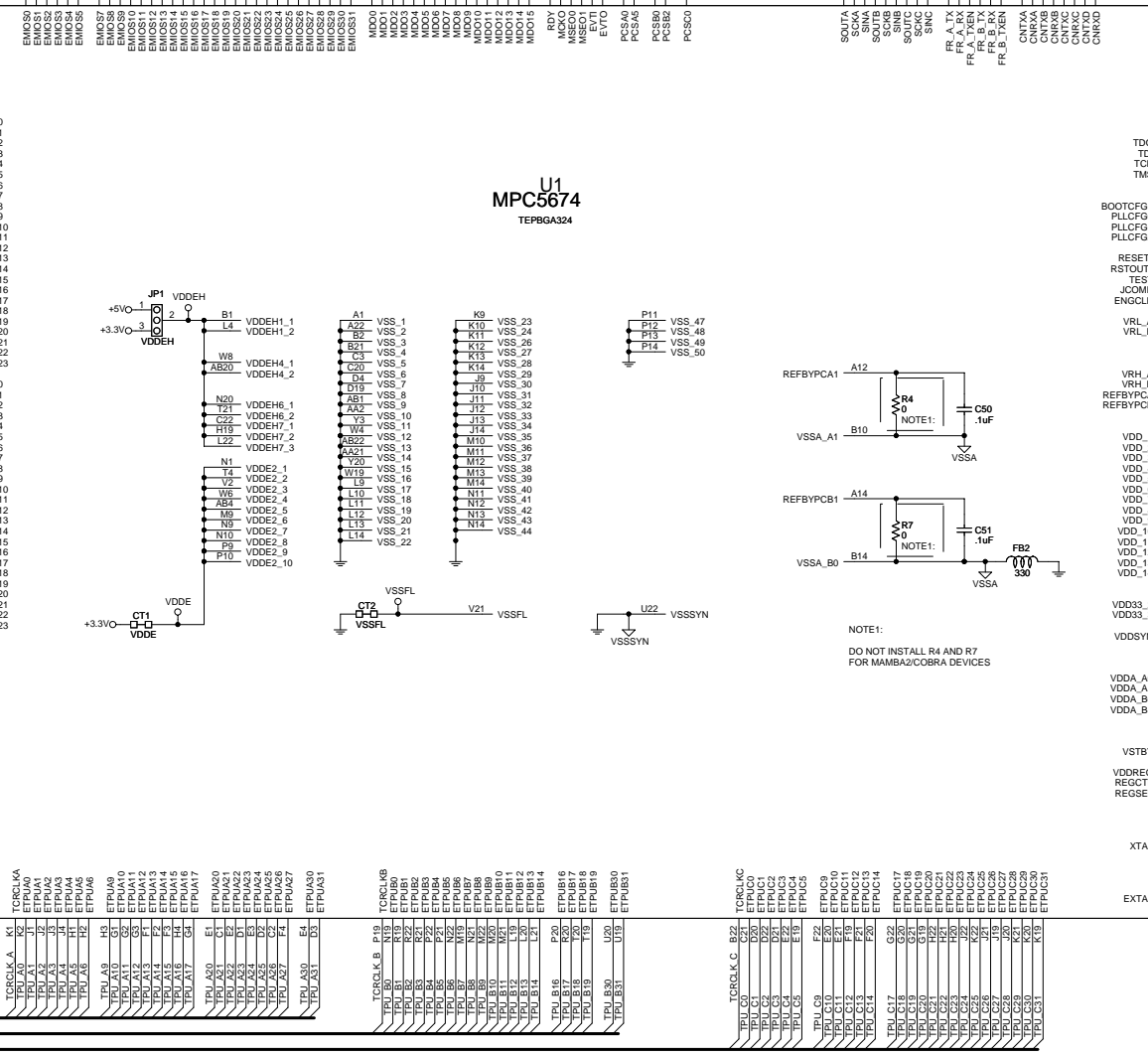
SHEET 2 DSPI  
 SHEET 2 NEXUS  
 SHEET 2 MDO[0..15]  
 SHEET 2 EMOS  
 SHEET 2 ANA[0..23]  
 SHEET 2 ANB[0..23]

FLEXRAY SHEET 2  
 CAN SHEET 2  
 JTAG SHEET 2  
 CONFIG SHEET 2

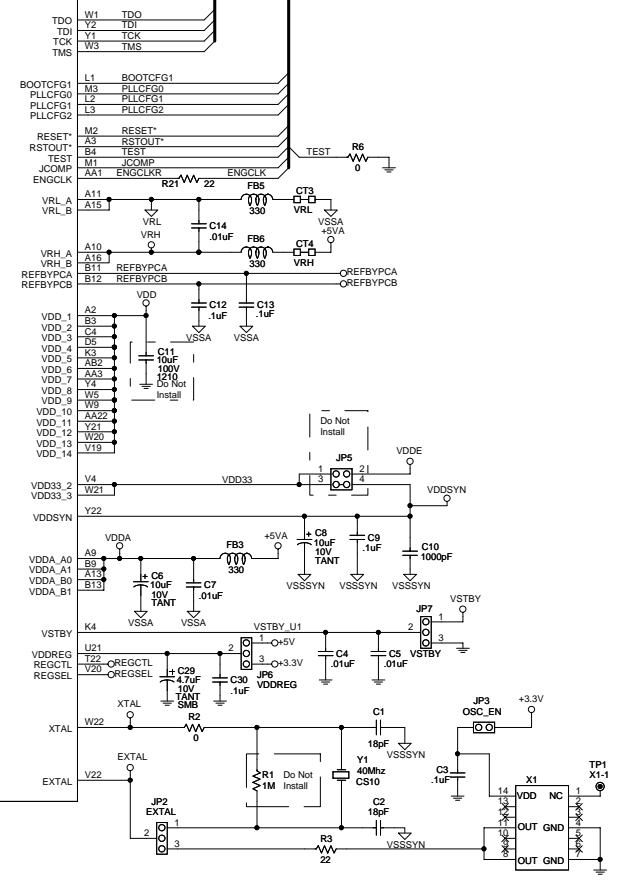
ANA0 A4  
 ANA1 A5  
 ANA2 B5  
 ANA3 B6  
 ANA4 A6  
 ANA5 A7  
 ANA6 B7  
 ANA7 B8  
 ANA8 C5  
 ANA9 C7  
 ANA10 C8  
 ANA11 D7  
 ANA12 D8  
 ANA13 C8  
 ANA14 D8  
 ANA15 A8  
 ANA16 D9  
 ANA17 C9  
 ANA18 D10  
 ANA19 C10  
 ANA20 D11  
 ANA21 C11  
 ANA22 D12  
 ANA23 C12

ANB0 B15  
 ANB1 B16  
 ANB2 A17  
 ANB3 A18  
 ANB4 B17  
 ANB5 B18  
 ANB6 A19  
 ANB7 A20  
 ANB8 D13  
 ANB9 C13  
 ANB10 C13  
 ANB11 C15  
 ANB12 C16  
 ANB13 D14  
 ANB14 C17  
 ANB15 D15  
 ANB16 C18  
 ANB17 D16  
 ANB18 D17  
 ANB19 B19  
 ANB20 C19  
 ANB21 D18  
 ANB22 A21  
 ANB23 B20

SHEET 2 TPJA  
 SHEET 2 TPUB  
 SHEET 2 TPLC

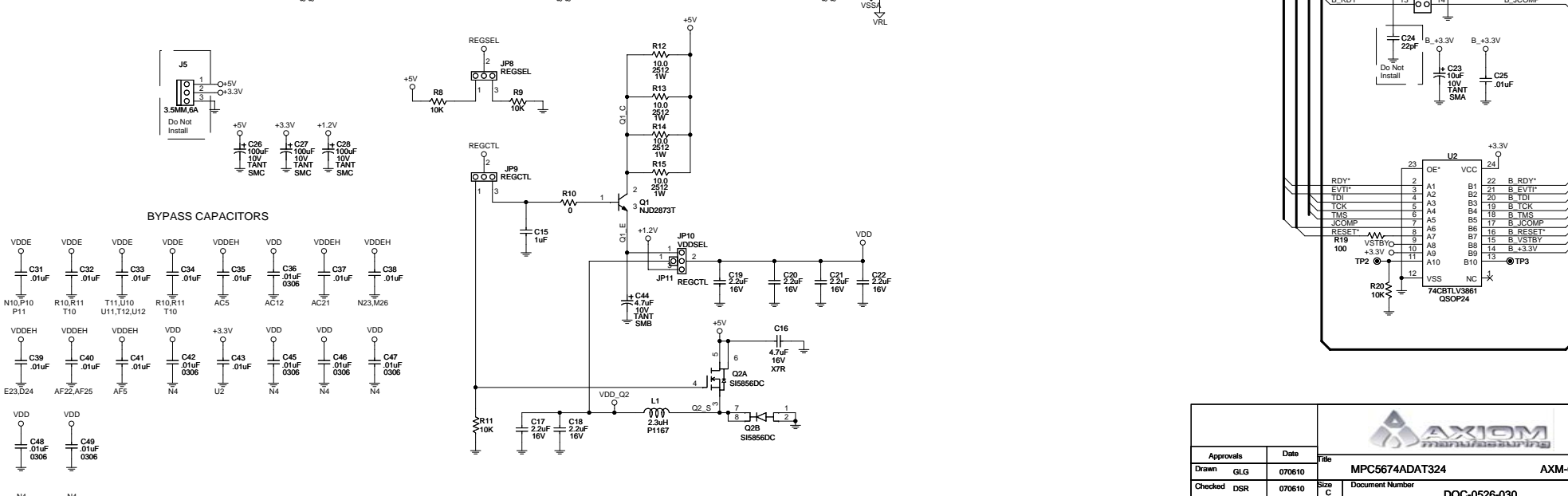
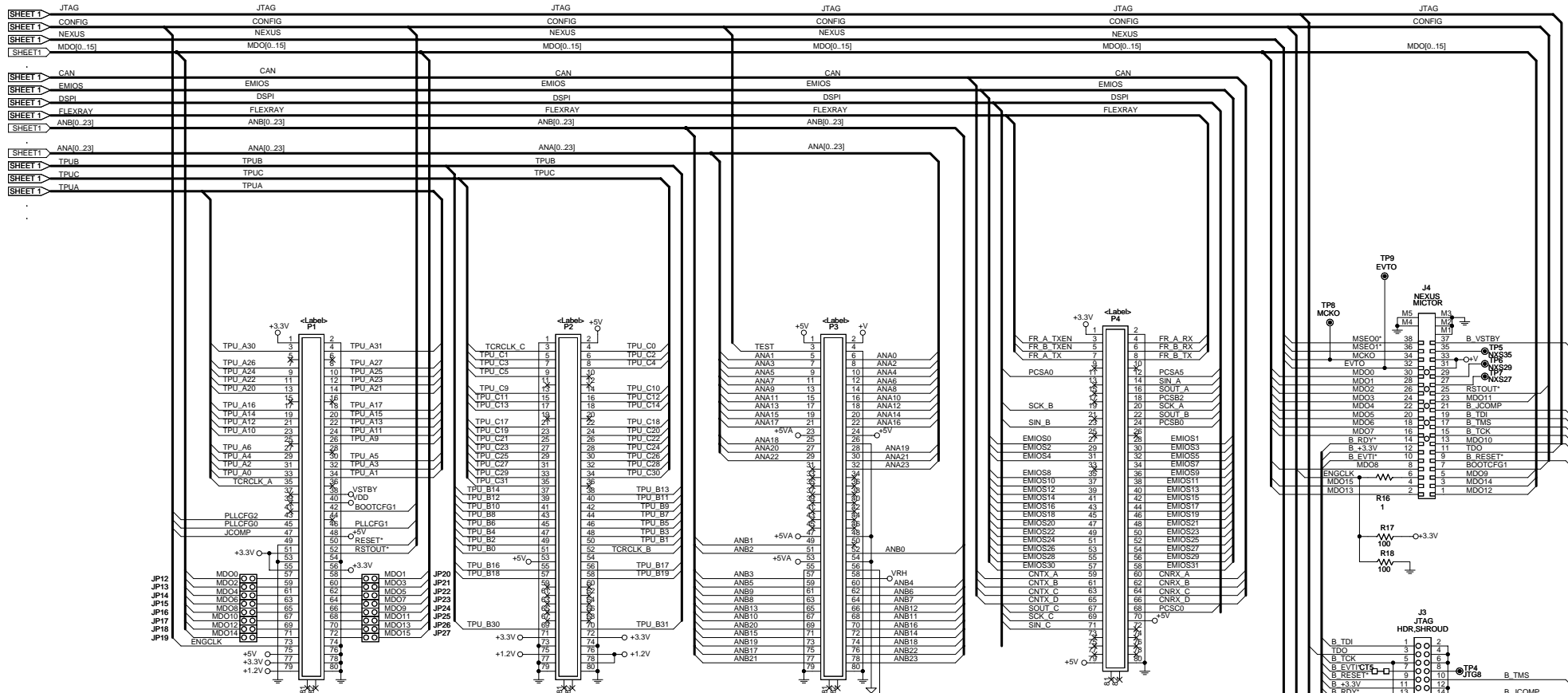


NOTE:  
 DO NOT INSTALL R4 AND R7  
 FOR MAMBA2/COBRA DEVICES



|                               |     |        |                         |                 |
|-------------------------------|-----|--------|-------------------------|-----------------|
| Approvals                     |     | Date   | Title                   |                 |
| Drawn                         | GLG | 070610 | MPC5674ADAT324 AXM-0526 |                 |
| Checked                       | DSR | 070610 | Size                    | Document Number |
| Finish                        |     |        | C                       | DOC-0526-030    |
| Date: Thursday, July 08, 2010 |     | Sheet  |                         | 1 of 2          |





|   |  |
|---|--|
|   |  |
| Approvals<br>Drawn GLG<br>Checked DSR<br>Finish           | Date<br>070610<br>070610<br>070610                                 |
| File<br>MPC5674ADAT324<br>Document Number<br>DOC-0526-030 | AXM-0526<br>Rev A<br>Date: Thursday, July 08, 2010<br>Sheet 2 of 2 |