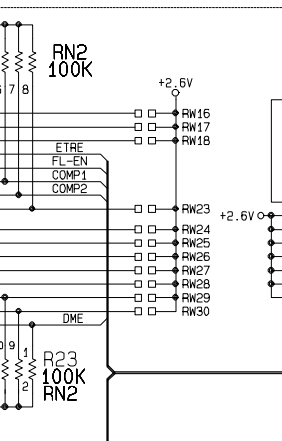
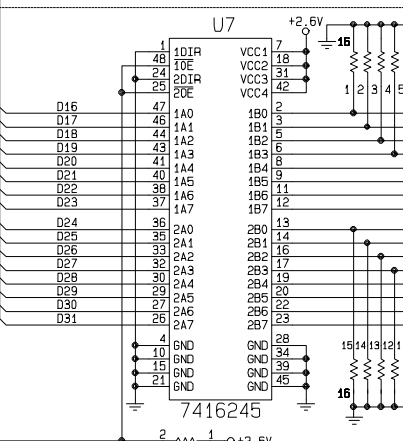
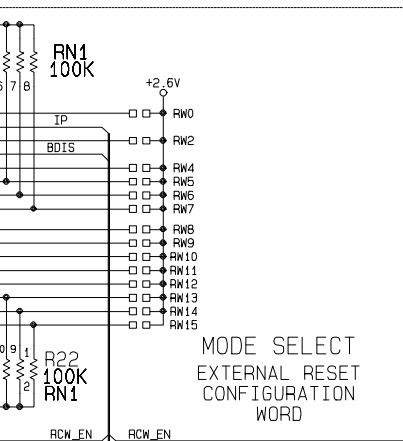
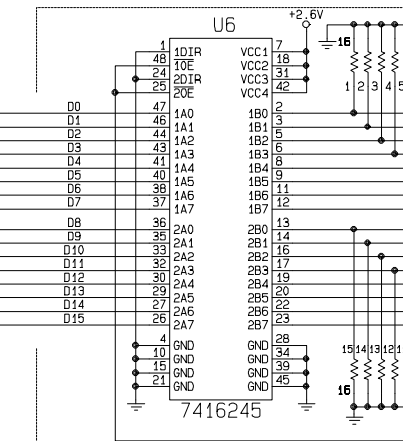
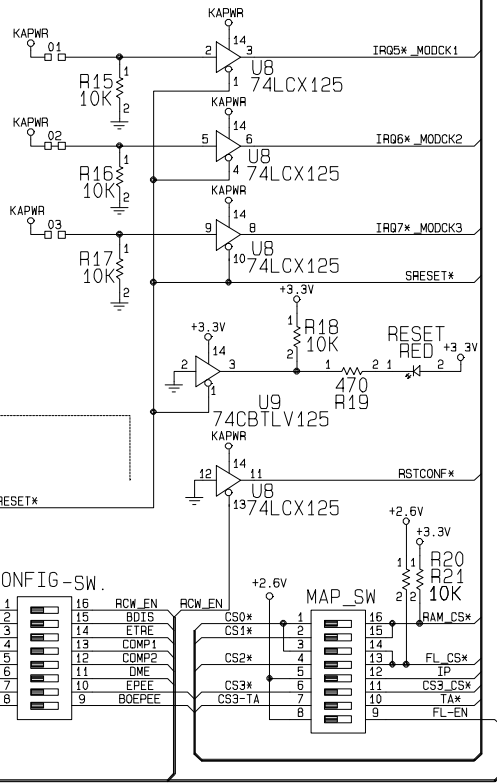
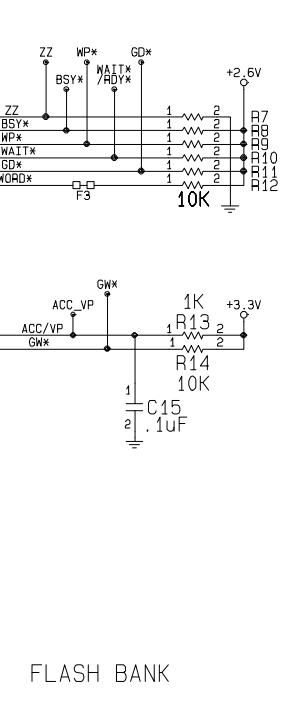
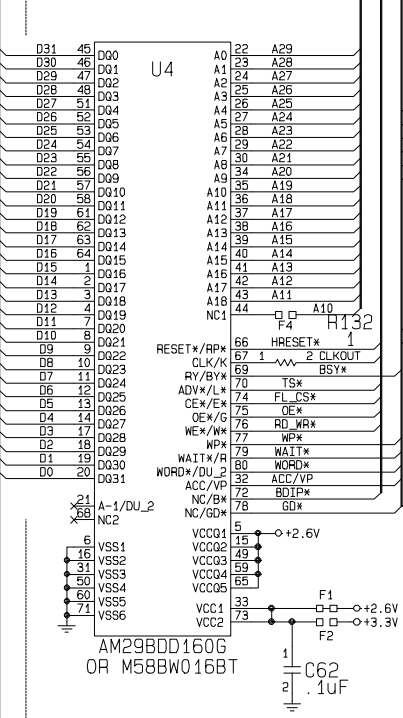
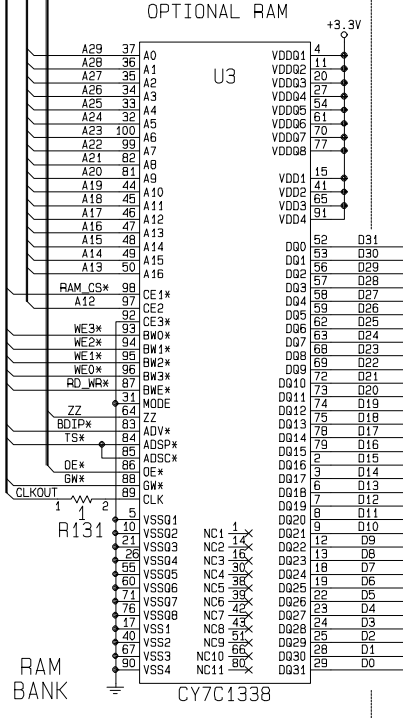
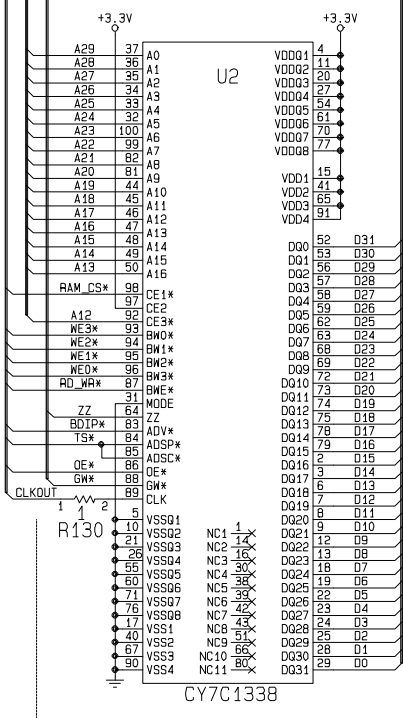


SHEET2
SHEET2
SHEET2

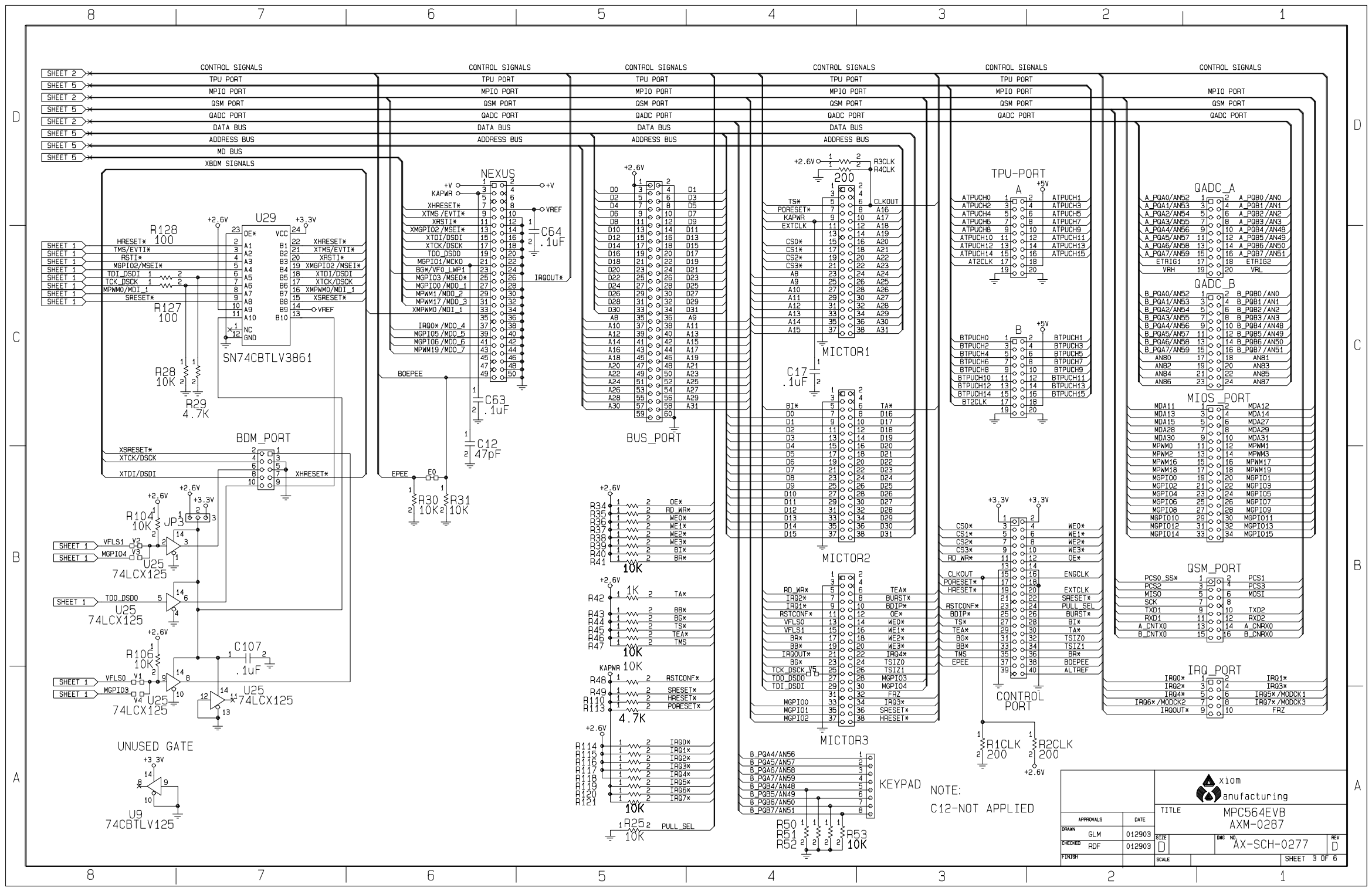
DATA BUS
ADDRESS BUS
CONTROL BUS
MEMORY BUS

DATA BUS
ADDRESS BUS
CONTROL BUS
MEMORY BUS

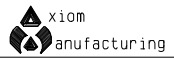
ADDRESS BUS
CONTROL BUS
MEMORY BUS



APPROVALS		DATE	TITLE	
GLM	012903		MPC564EVB AXM-0287	
CHECKED	RDF	012903	SIZE	DWG NO.
FINISH			SCALE	AX-SCH-0277
			REV	D
			SHEET 2 OF 6	



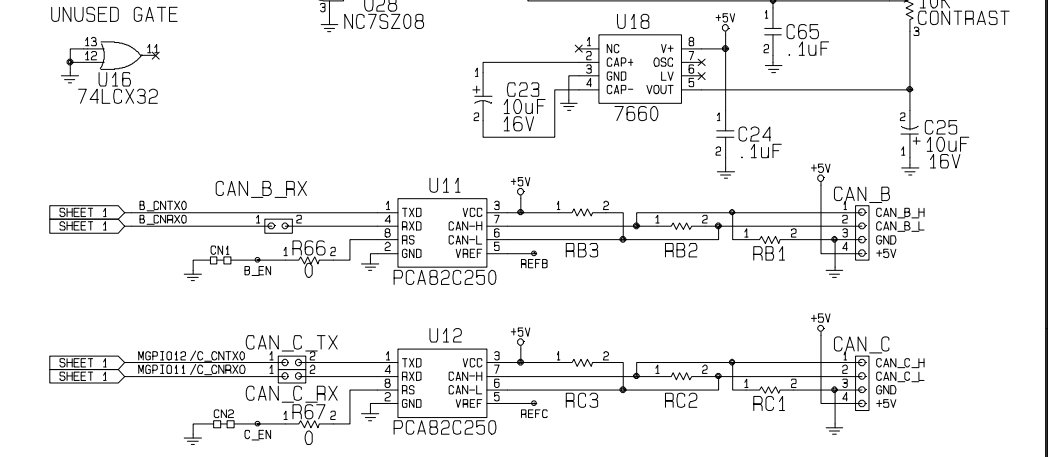
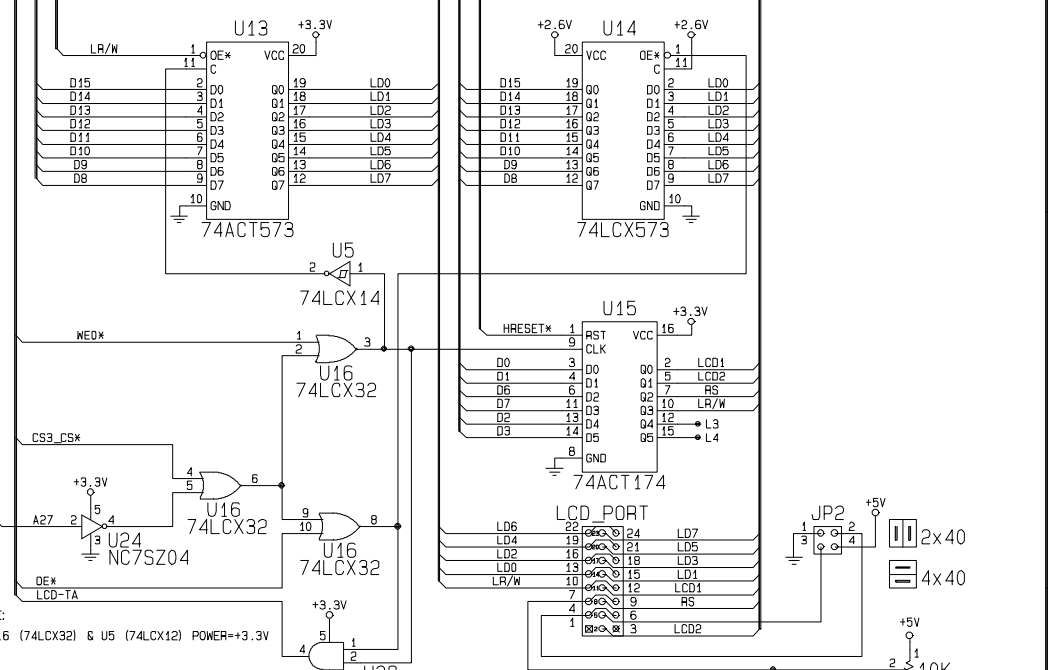
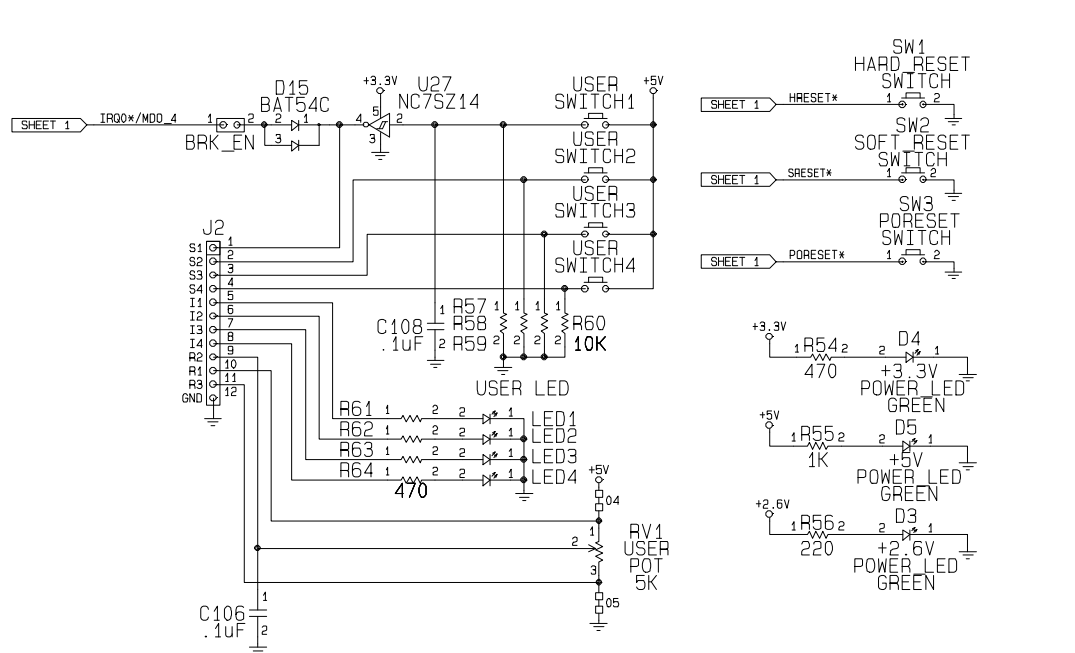
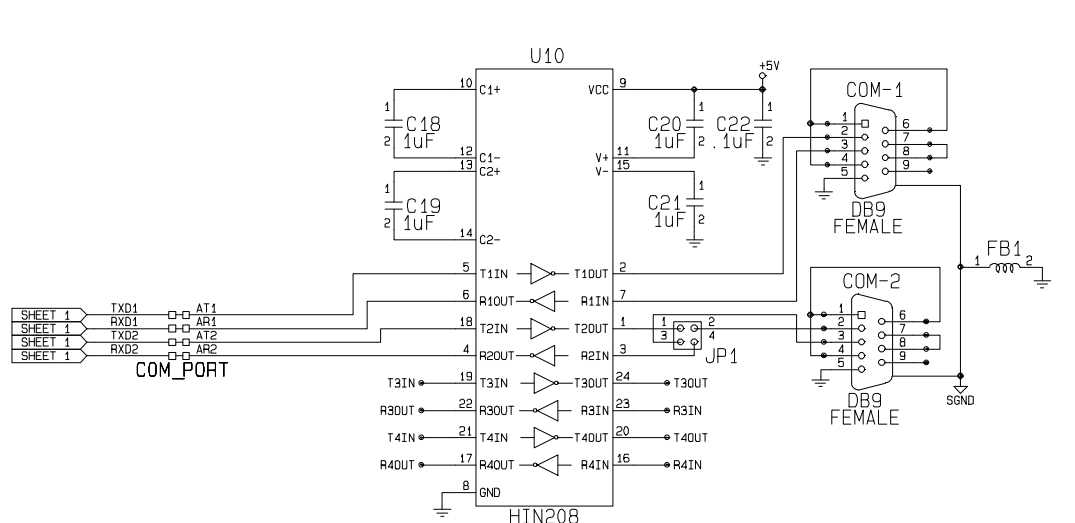
APPROVALS		DATE	TITLE	
DRAWN	GLM	012903	MPC564EVb AXM-0287	
CHECKED	RDV	012903	SIZE	DWG. NO.
FINISH			SCALE	AX-SCH-0277
			REV D	
			SHEET 3 OF 6	



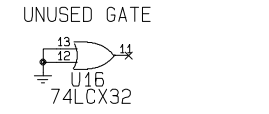
NOTE:
C12-NOT APPLIED

KEYPAD

DATA BUS
CONTROL BUS
ADDRESS BUS

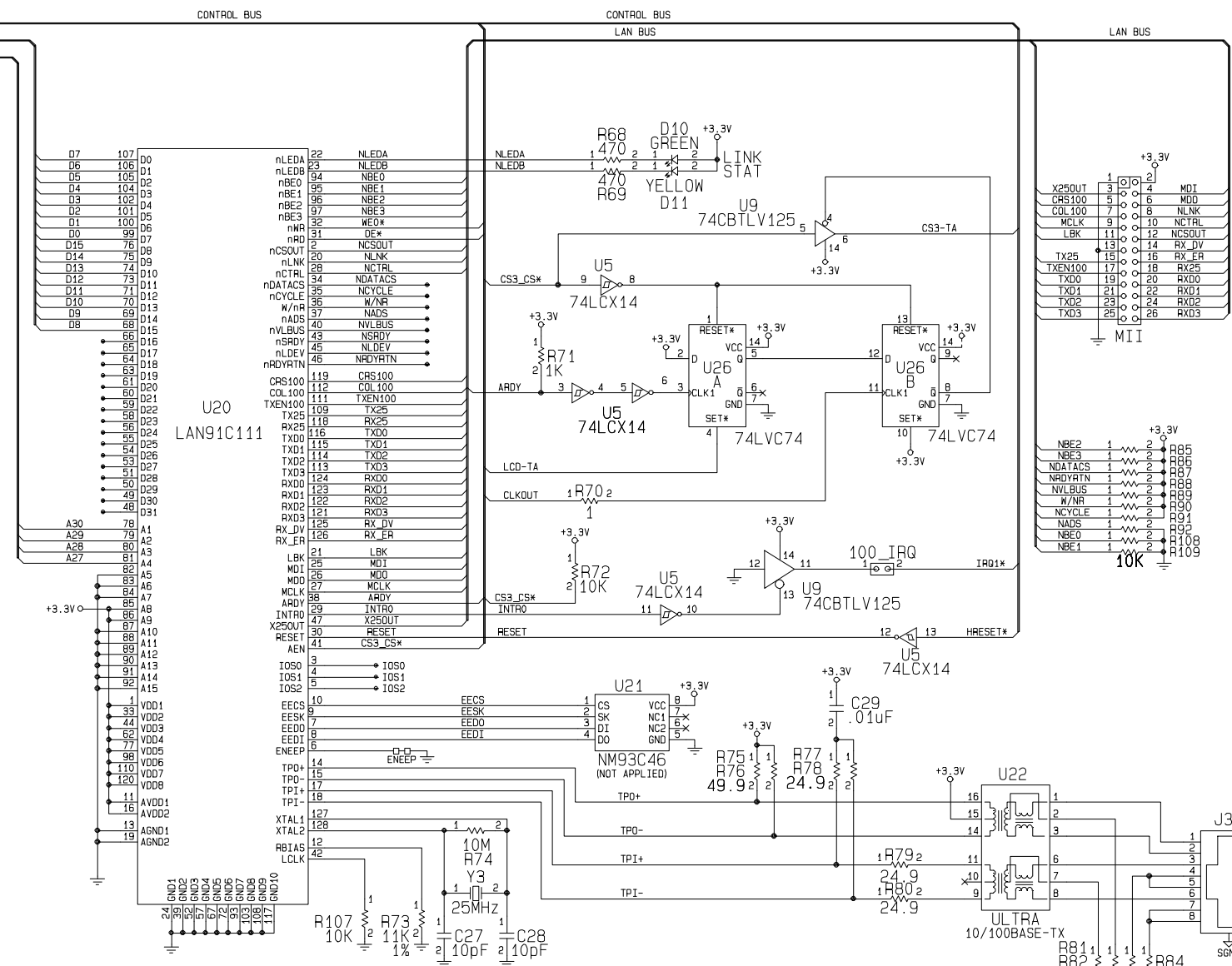


NOTE: U16 (74LCX32) & U5 (74LCX12) POWER=+3.3V



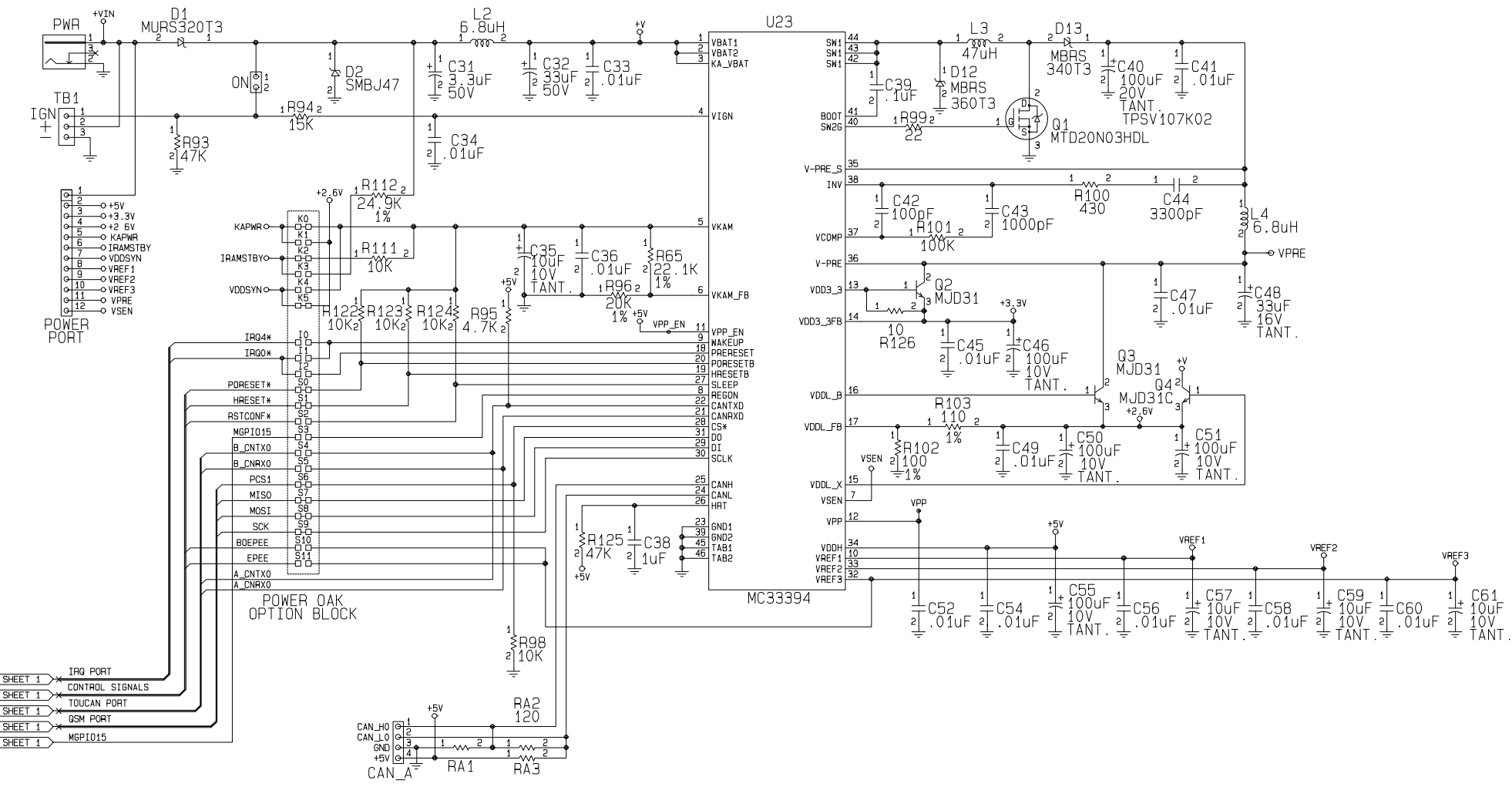
APPROVALS		DATE	TITLE	
DRAWN	GLM	012903	MPC564EVB AXM-0287	
CHECKED	RDF	012903	SIZE	DWG NO.
FINISH			SCALE	AX-SCH-0277
			REV D	
			SHEET 4 OF 6	

SHEET 5 CONTROL BUS
 SHEET 5 DATA BUS
 SHEET 5 ADDRESS BUS



8 7 6 5 4 3 2 1

D
C
B
A



- SHEET 1 → IRQ PORT
- SHEET 1 → CONTROL SIGNALS
- SHEET 1 → TOUCAN PORT
- SHEET 1 → GSM PORT
- SHEET 1 → MGPI015

APPROVALS		DATE	TITLE	
DRWN	GLM	012903	MPC564EVB AXM-0287	
CHECKED	RDF	012903	SIZE	DWG NO.
FINISH			SCALE	AX-SCH-0277
				REV
				D
				SHEET 6 OF 6

8 7 6 5 4 3 2 1