

U1  
MPC563/4\_CPU

APPROVALS		DATE	TITLE	
DRAWN	GLM	081302	MPC564EVB AXM-0287	
CHECKED	PDF	081302	SIZE	DWG NO
FT/SH			D	AX-SCH-0277
SCALE			REV	
			C	
			SHEET 1 OF 6	

NOTE:  
R2 NOT  
INSTALLED

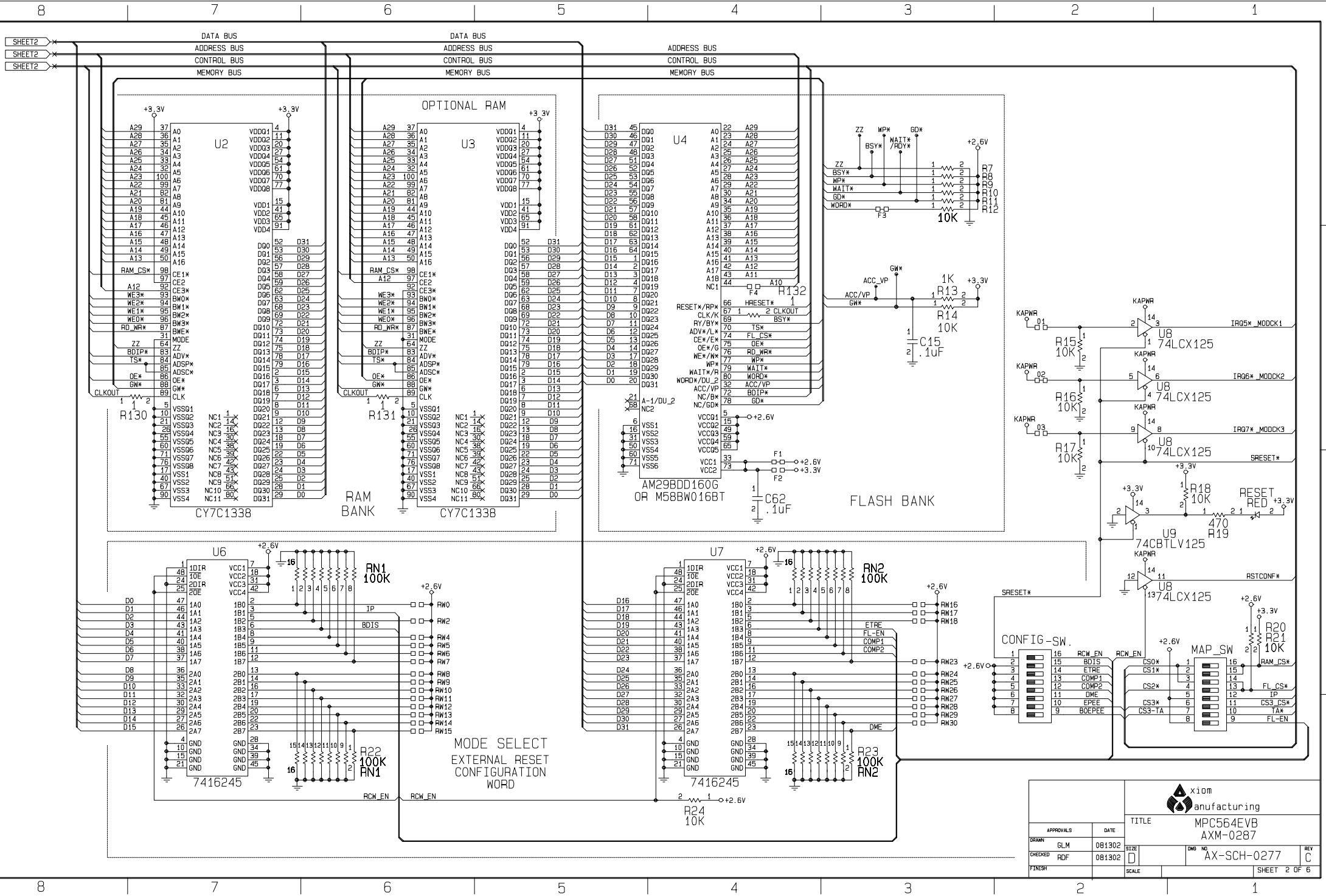
CONTROL  
BUS

QSM PORT

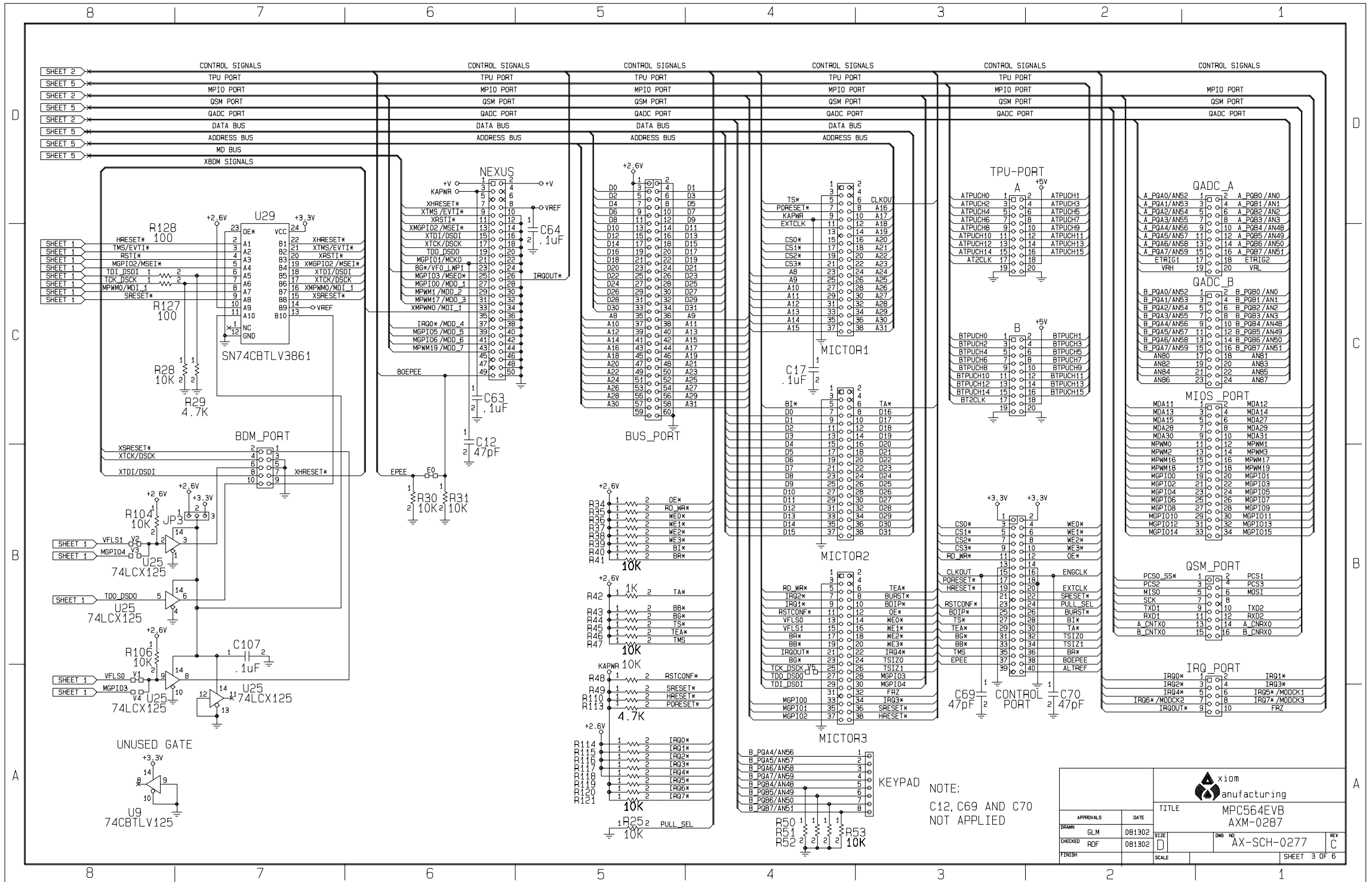
SHEET 2  
BDM PORT

SHEET 2  
TOUCAN PORT

SHEET 2  
IRQ PORT

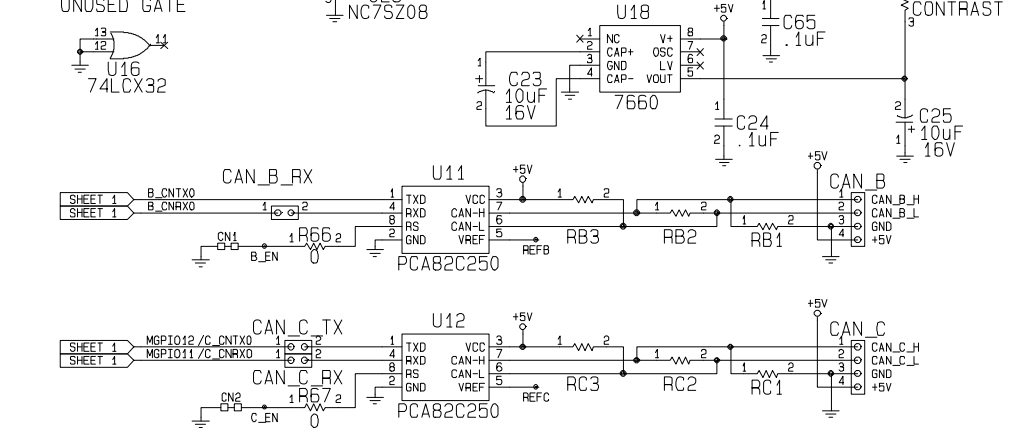
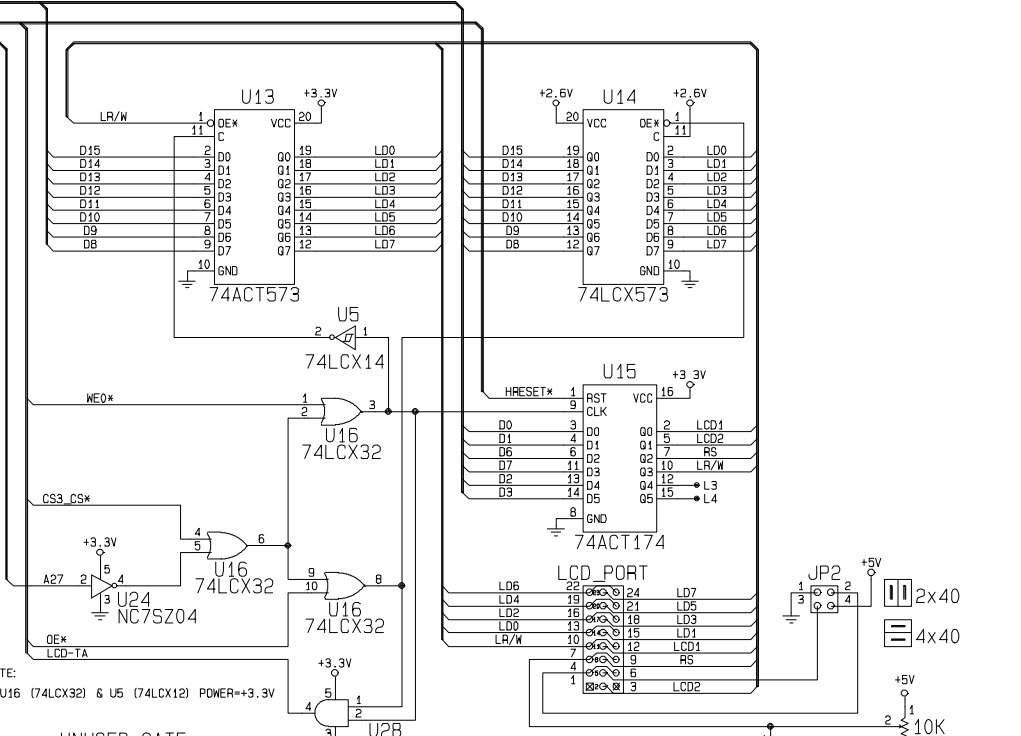
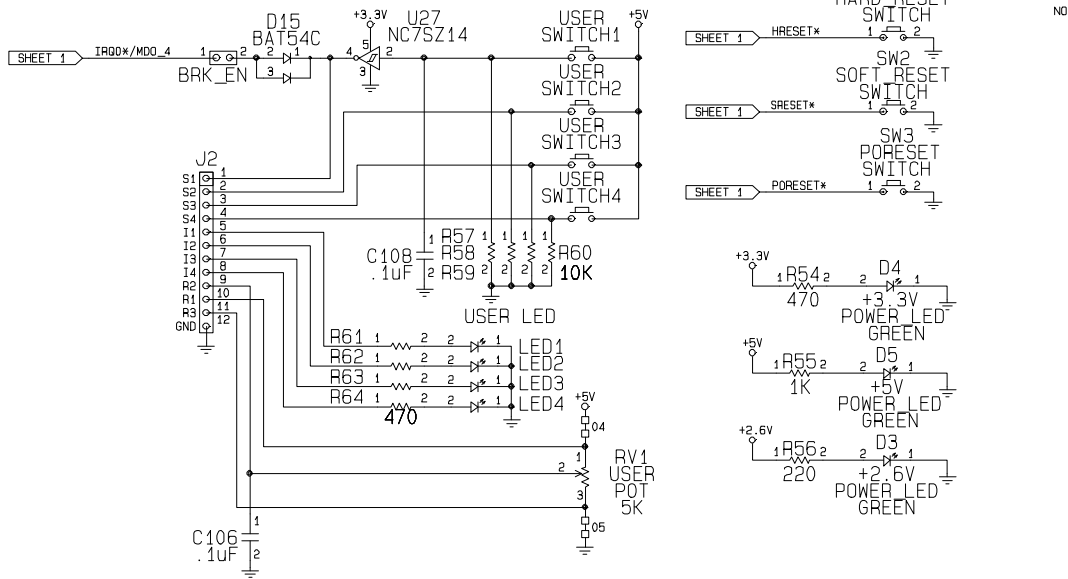
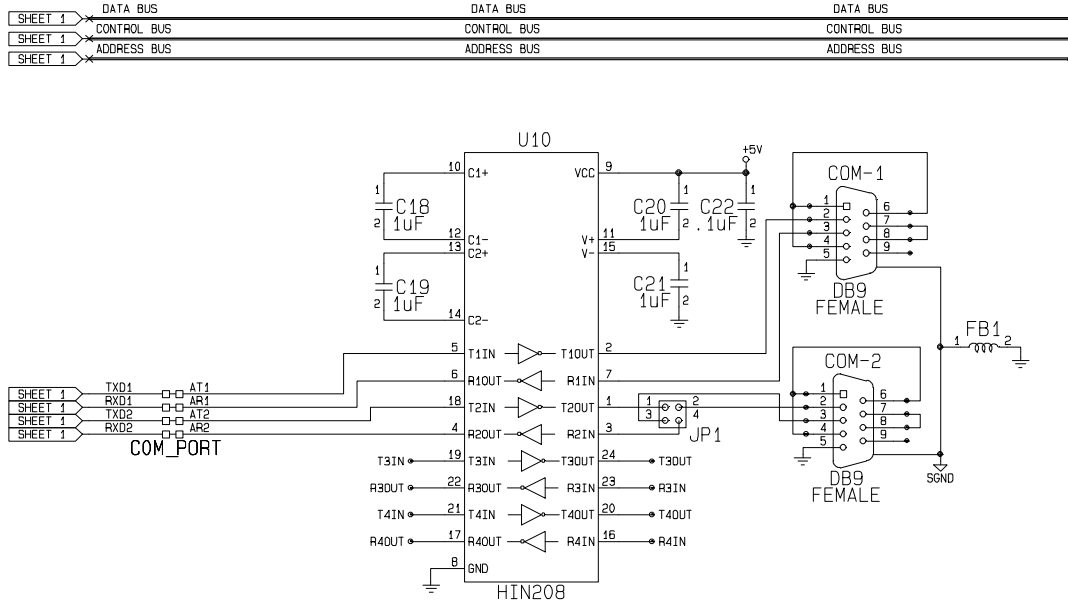


APPROVALS		DATE		TITLE	
DRAWN	GLM	DATE	081302	MPC564EVB	
CHECKED	PDF	DATE	081302	AXM-0287	
DESIGNED	PDF	DATE	081302	DWG NO	AX-SCH-0277
SCALE				REV	C
SHEET 2 OF 6					

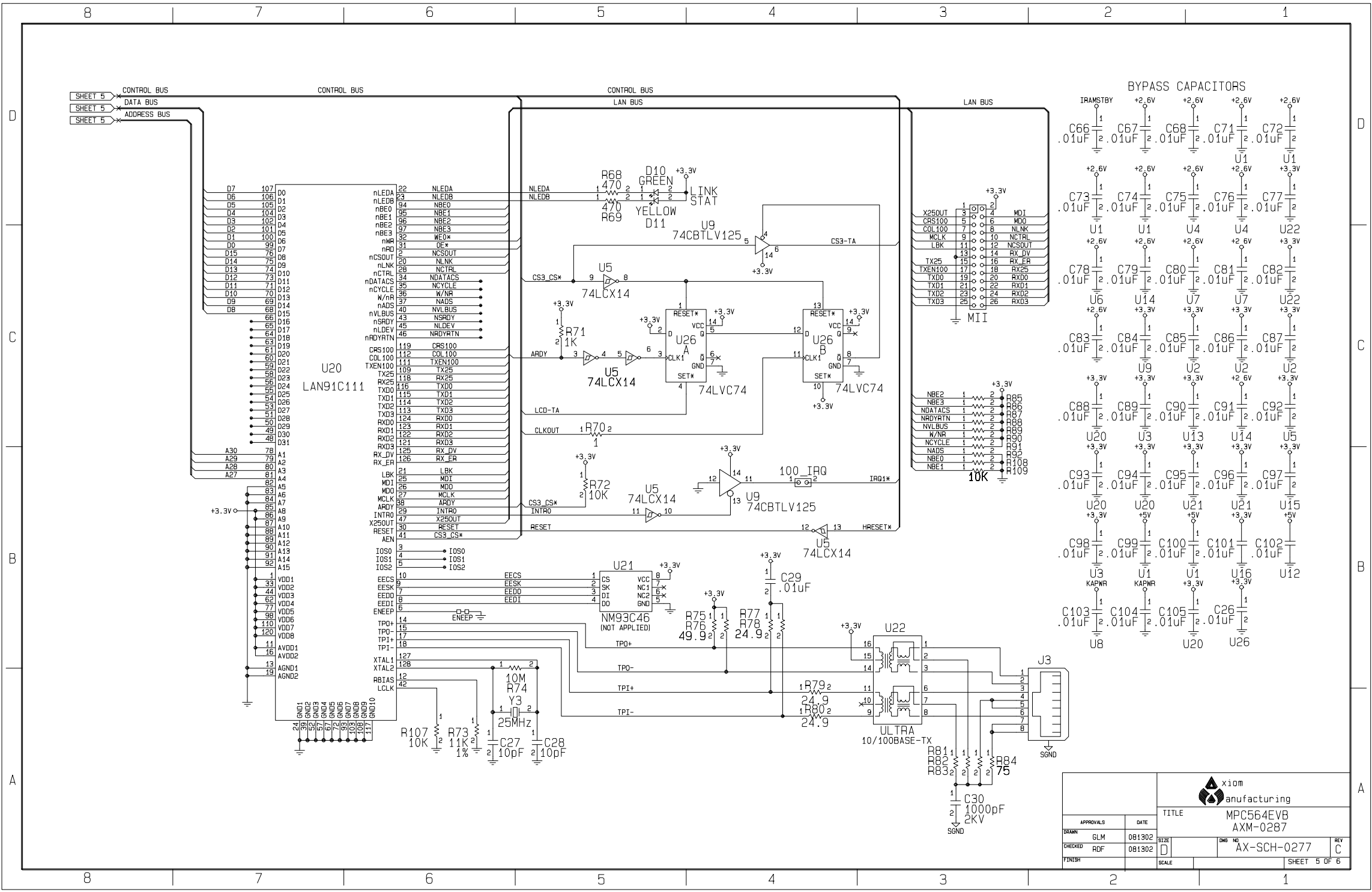


APPROVALS		DATE	TITLE	
DRAWN	GLM	081302	MPC564EVB AXM-0287	
CHECKED	PDF	081302	SIZE	DWG NO AX-SCH-0277
FINISH			SCALE	REV C
			SHEET 3 OF 6	

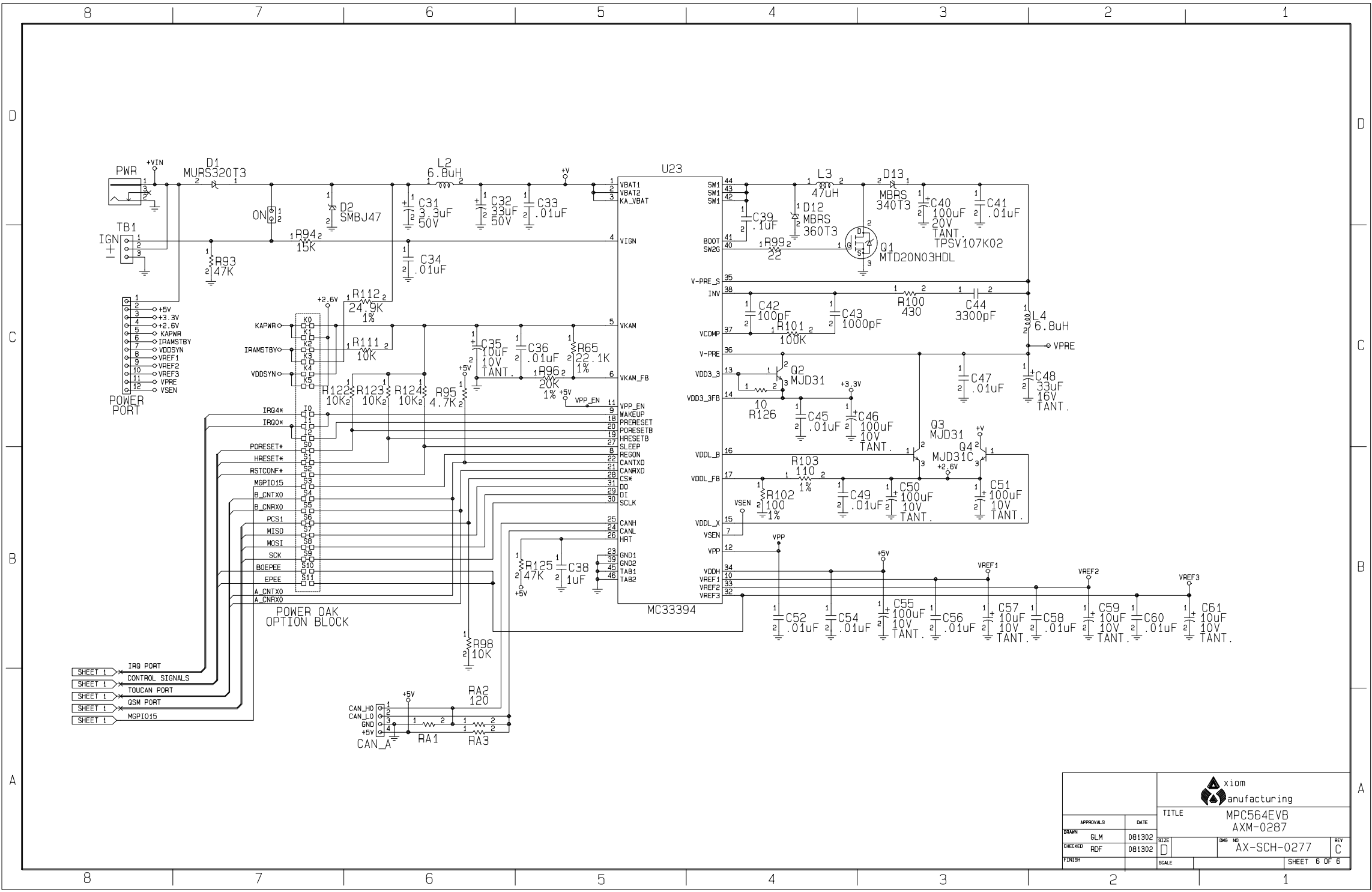
NOTE:  
C12, C69 AND C70  
NOT APPLIED



APPROVALS		DATE		TITLE	
DRAWN	GLM	081302		MPC564EVB AXM-0287	
CHECKED	PDF	081302		DWG NO	AX-SCH-0277
FINISH				SCALE	SHEET 4 OF 6



APPROVALS		DATE		TITLE	
DRAWN GLM		081302		MPC564EVB	
CHECKED RDF		081302		AXM-0287	
FINISH		SCALE		DWG NO AX-SCH-0277	
				REV C	
				SHEET 5 OF 6	



- SHEET 1 → IRQ PORT
- SHEET 1 → CONTROL SIGNALS
- SHEET 1 → TOUCAN PORT
- SHEET 1 → QSM PORT
- SHEET 1 → MGPI015

		TITLE MPC564EVB AXM-0287			
APPROVALS	DATE	SIZE	DWG NO	REV	
DRAWN GLM	081302	D	AX-SCH-0277	C	
CHECKED PDF	081302				
FINISH		SCALE		SHEET 6 OF 6	