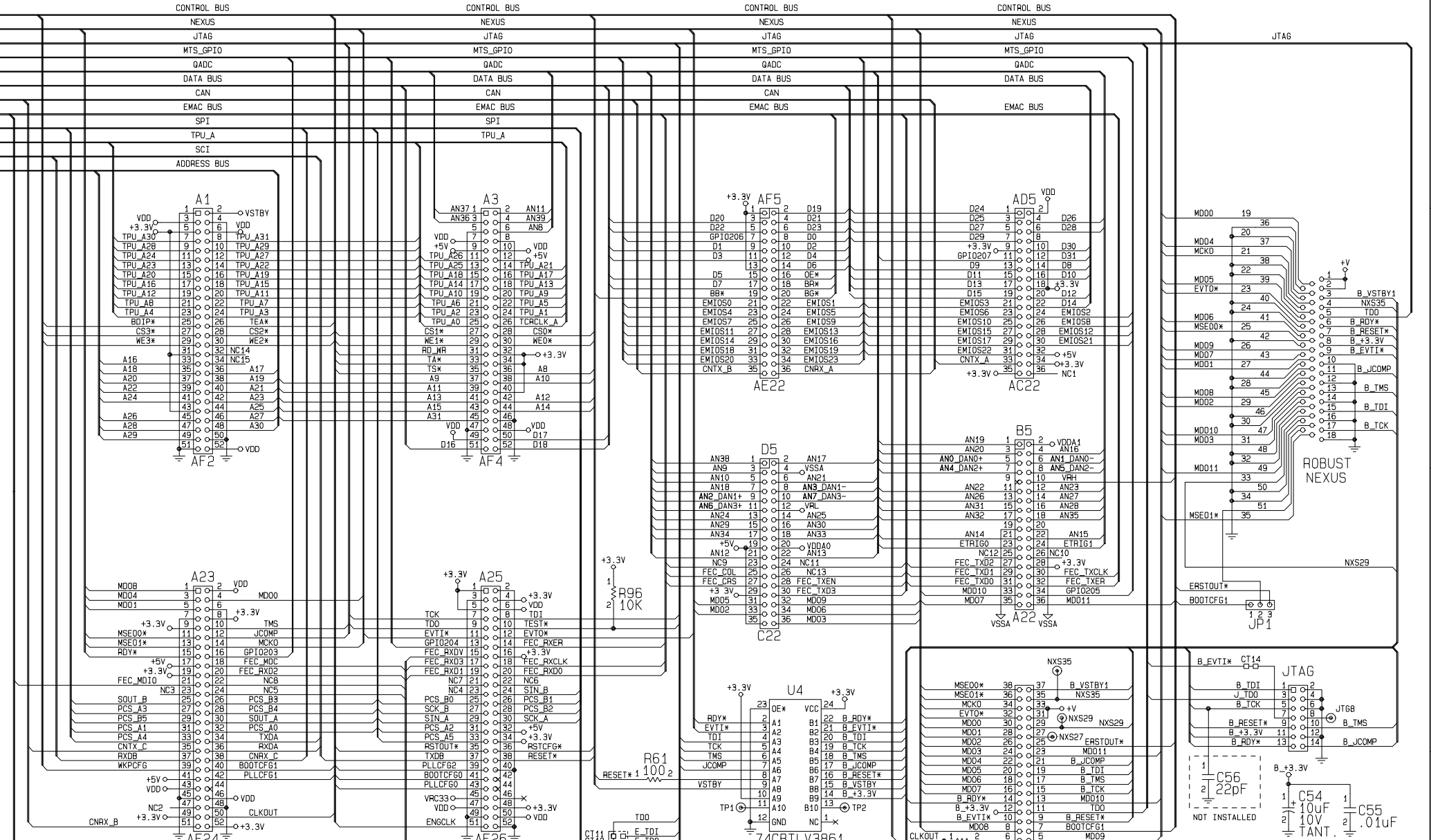


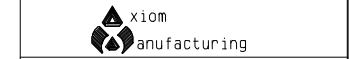
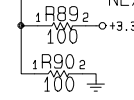
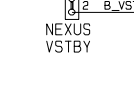
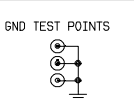
U1
MPC5567

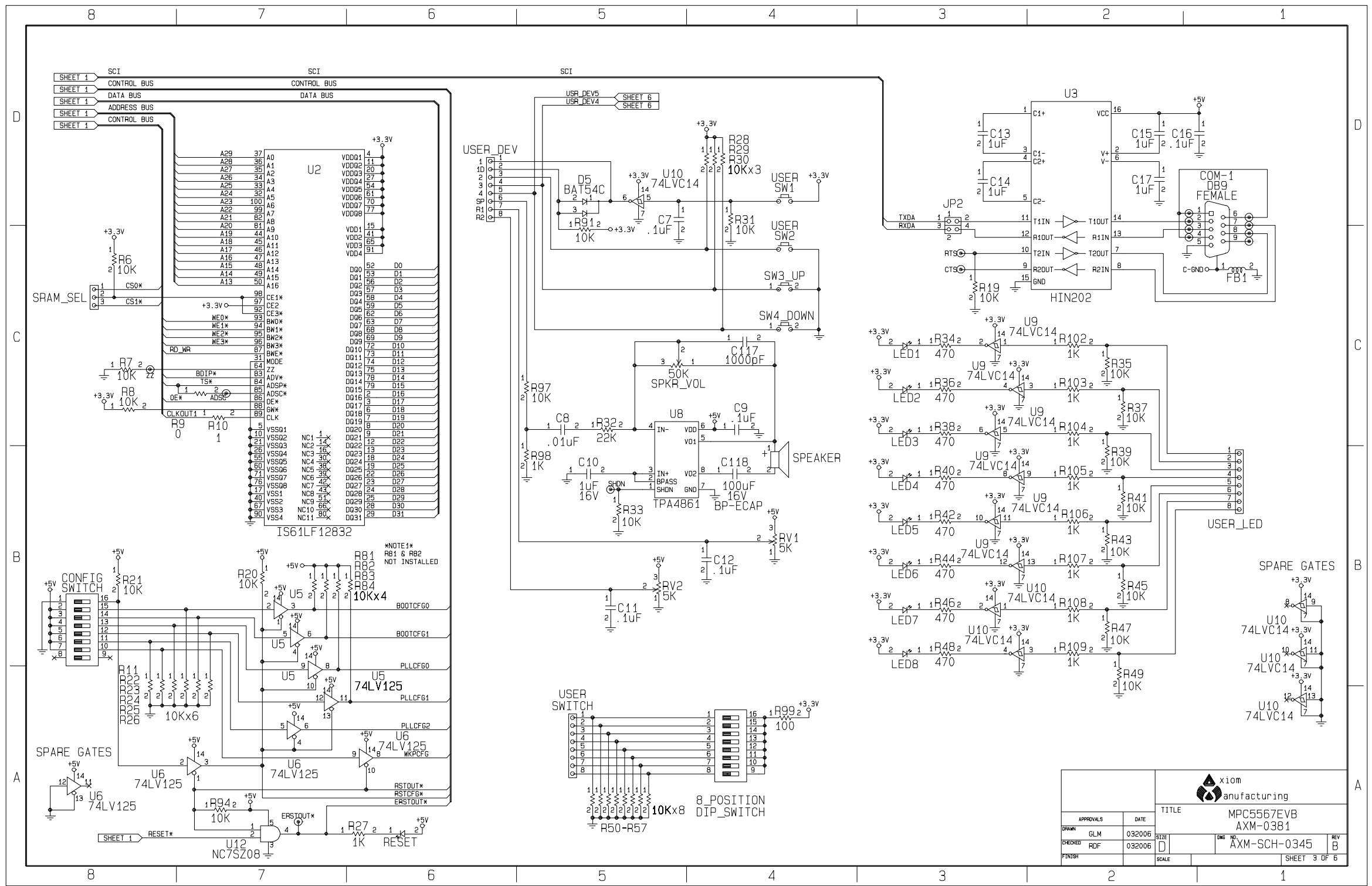
| APPROVALS | | DATE | | TITLE | |
|-----------|-----|-------|--------|------------------------|--------------|
| DRWN | GLM | | 302006 | MPC5567EVb AXM-0381 | |
| CHECKED | RDF | SIZE | 032006 | DWG. NO. | AXM-SCH-0345 |
| FINISH | | SCALE | | REV | B |
| | | | | | SHEET 1 OF 6 |

| | |
|---------|-------------|
| SHEET 1 | CONTROL BUS |
| SHEET 1 | NEXUS |
| SHEET 1 | JTAG |
| SHEET 1 | MTS_GPIO |
| SHEET 1 | QADC |
| SHEET 1 | DATA BUS |
| SHEET 1 | CAN |
| SHEET 1 | EMAC BUS |
| SHEET 1 | SPI |
| SHEET 1 | TPU_A |
| SHEET 1 | SCI |
| SHEET 1 | ADDRESS BUS |

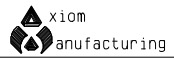


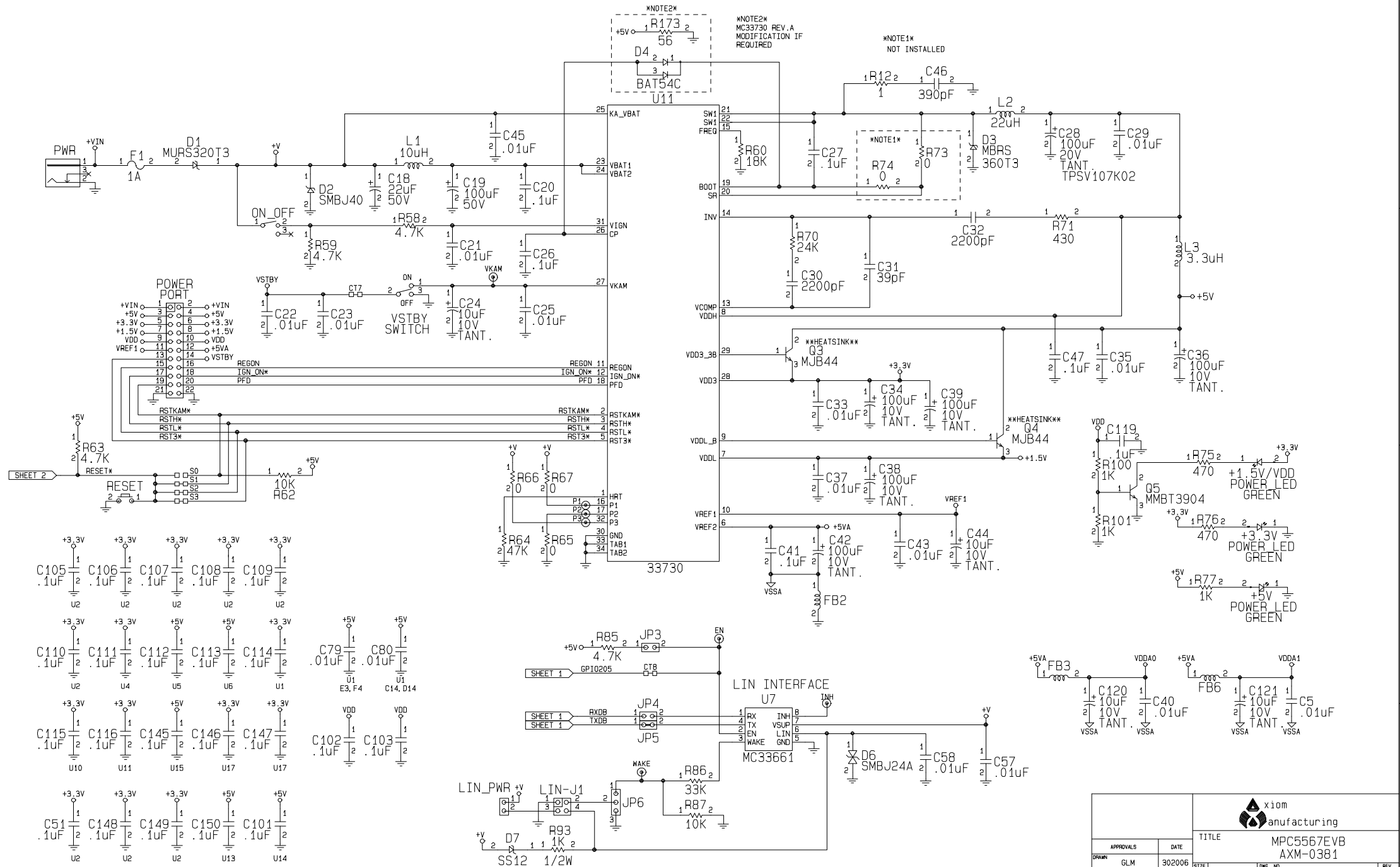
| | | | | | |
|-----------|-----|--------|--------|------------------------|--|
| APPROVALS | | DATE | | TITLE | |
| GLM | RDF | 032006 | 032006 | MPC5567EVb AXM-0381 | |
| DRAWN | | SIZE | | DWG. NO. | |
| GLM | | D | | AXM-SCH-0345 | |
| CHECKED | | SCALE | | REV | |
| RDF | | | | B | |
| FINISH | | | | SHEET 2 OF 6 | |



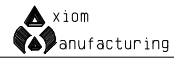


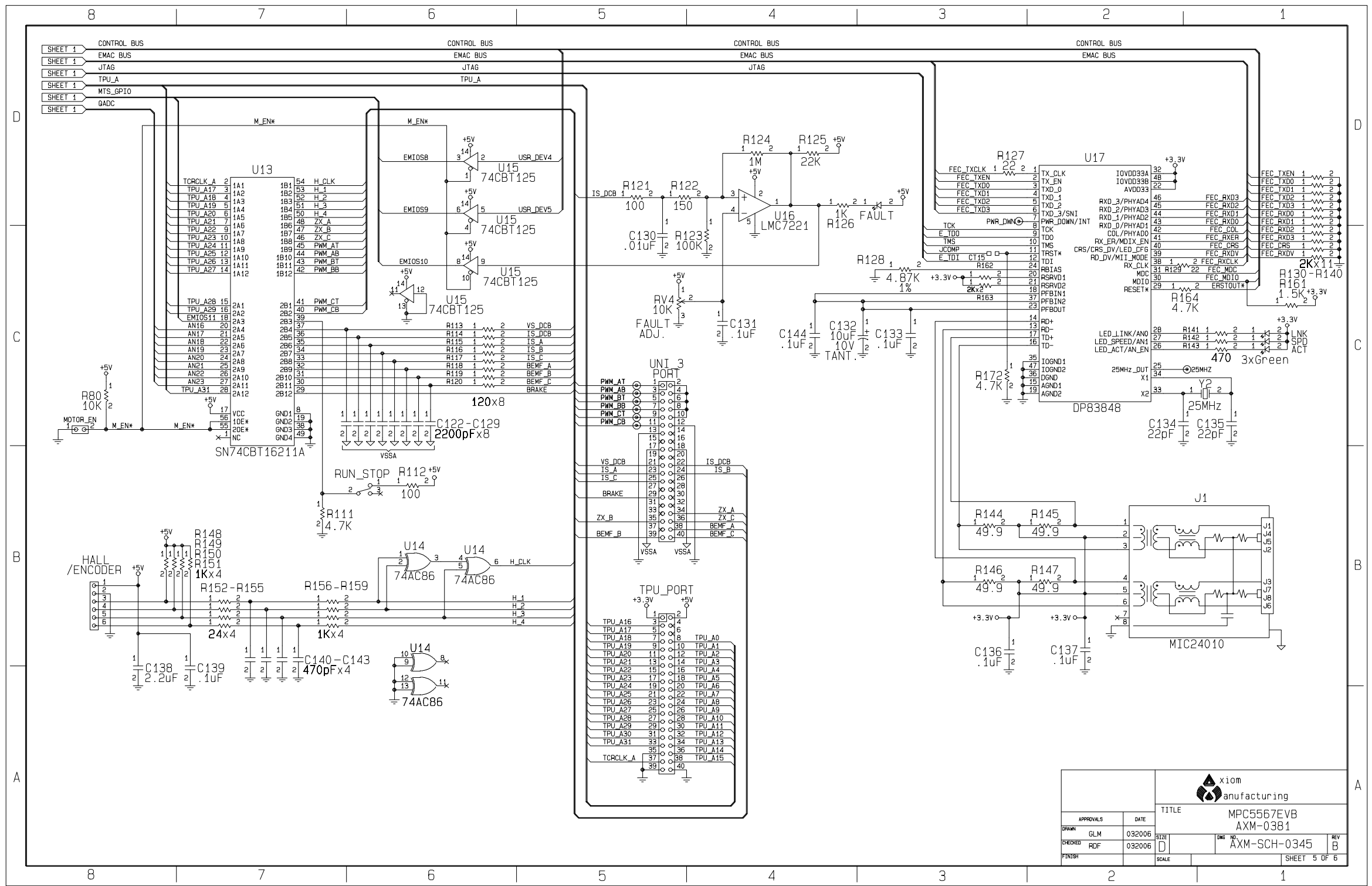
| | | | | |
|-----------|-----|--------|------------------------|--------------|
| APPROVALS | | DATE | TITLE | |
| DRW | GLM | 032006 | MPC5567EVb AXM-0381 | |
| CHECKED | RDF | 032006 | SIZE | D |
| FINISH | | | DRG. NO. | AXM-SCH-0345 |
| | | | REV | B |
| | | | SCALE | |
| | | | SHEET 3 OF 6 | |





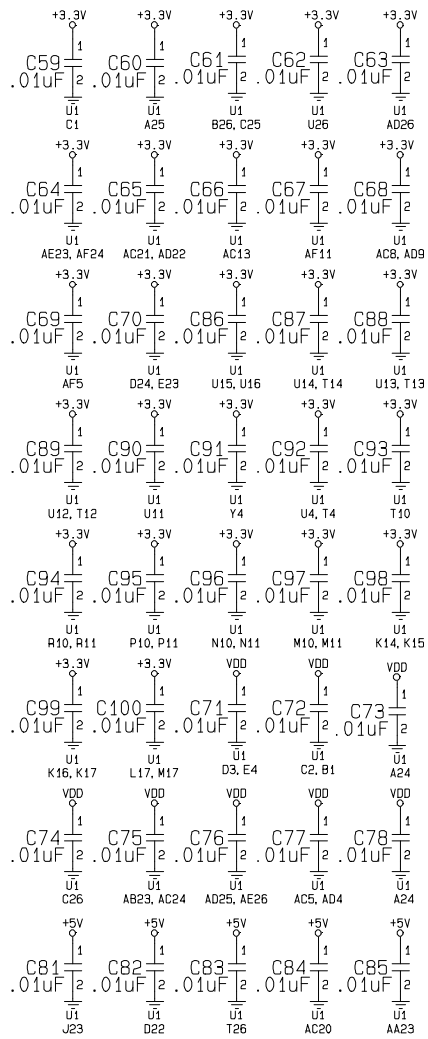
| | | | | |
|-----------|-----|--------|------------------------|--------------|
| APPROVALS | | DATE | TITLE | |
| GLM | GLM | 302006 | MPC5567EVb AXM-0381 | |
| CHECKED | RDF | 032006 | SIZE | DWG NO. |
| FINISH | | | | AXM-SCH-0345 |
| | | | SCALE | REV |
| | | | | B |
| | | | | SHEET 4 OF 5 |



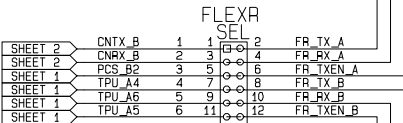
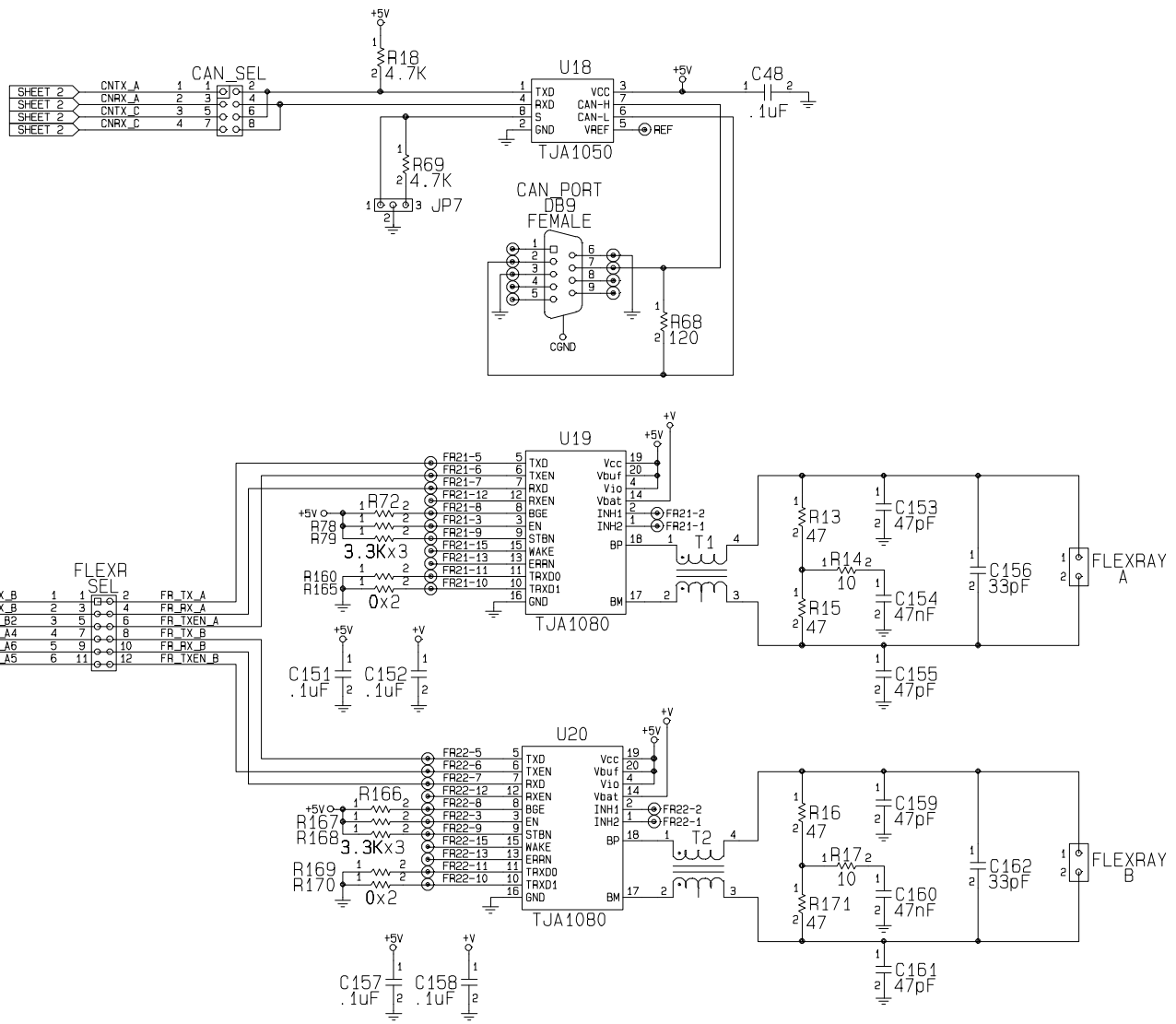


| | | | | |
|-----------|-----|--------|------------------------|--------------|
| APPROVALS | | DATE | TITLE | |
| DRWN | GLM | 032006 | MPC5567EVb AXM-0381 | |
| CHECKED | RDF | 032006 | SIZE | DWG NO. |
| FINISH | | | | AXM-SCH-0345 |
| | | | SCALE | REV |
| | | | | B |
| | | | | SHEET 5 OF 6 |

BYPASS CAPACITORS



0306 SIZE CAPACITORS



| | | | | | |
|-------------|--|--------|--|------------------------|--------------|
| APPROVALS | | DATE | | TITLE | |
| DRAWN GLM | | 032006 | | MPC5567EVB AXM-0381 | |
| CHECKED RDF | | 032006 | | SIZE D | REV B |
| FINISH | | SCALE | | DWG NO. AXM-SCH-0345 | SHEET 6 OF 6 |