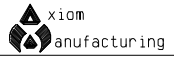
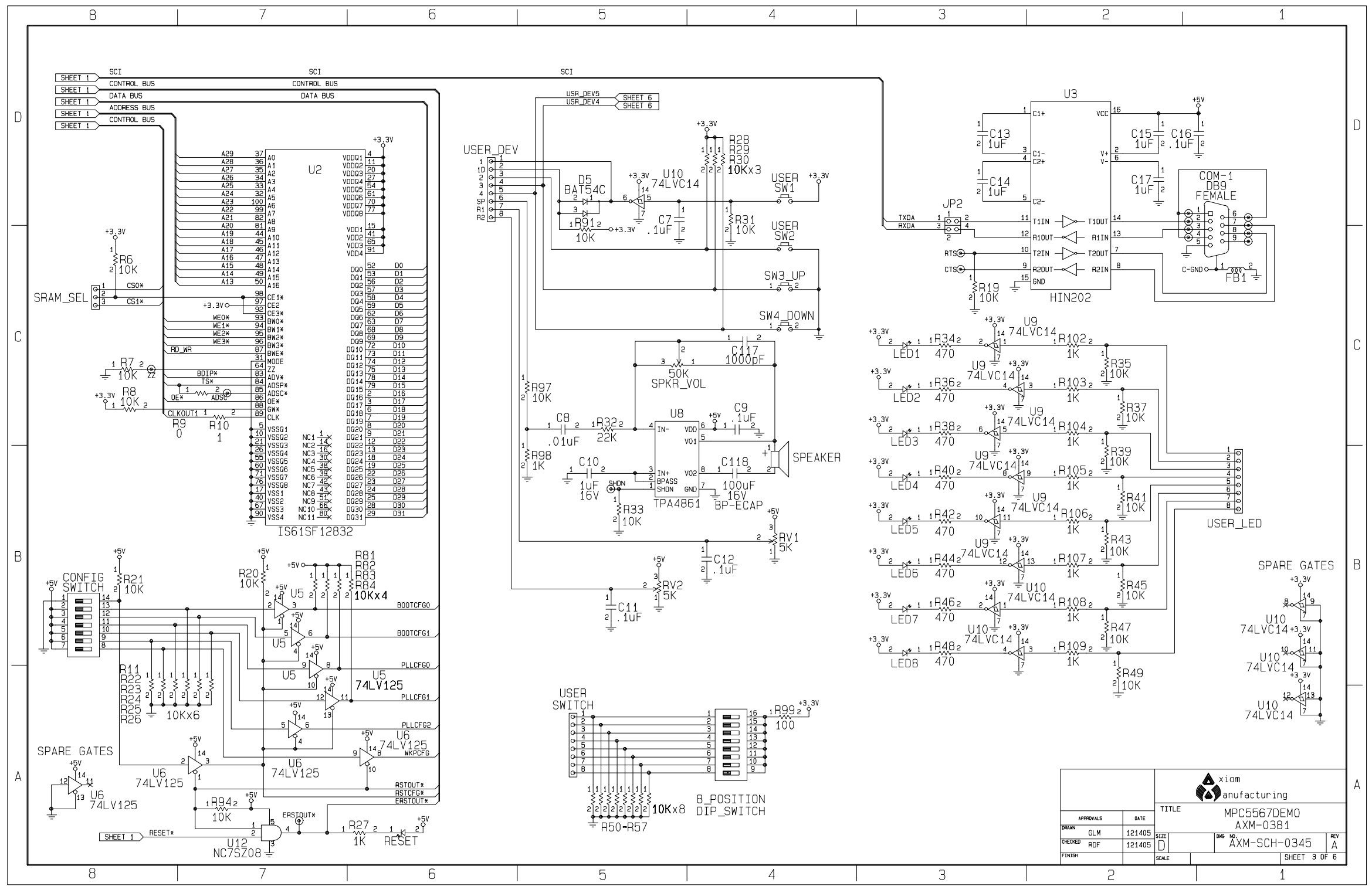


APPROVALS		DATE		TITLE	
DRAWN	GLM	121405		MPC5567DEMO AXM-0381	
CHECKED	RDF	121405	SIZE	DWG NO.	AXM-SCH-0345
FINISH			SCALE	SHEET	2 OF 6



REV A



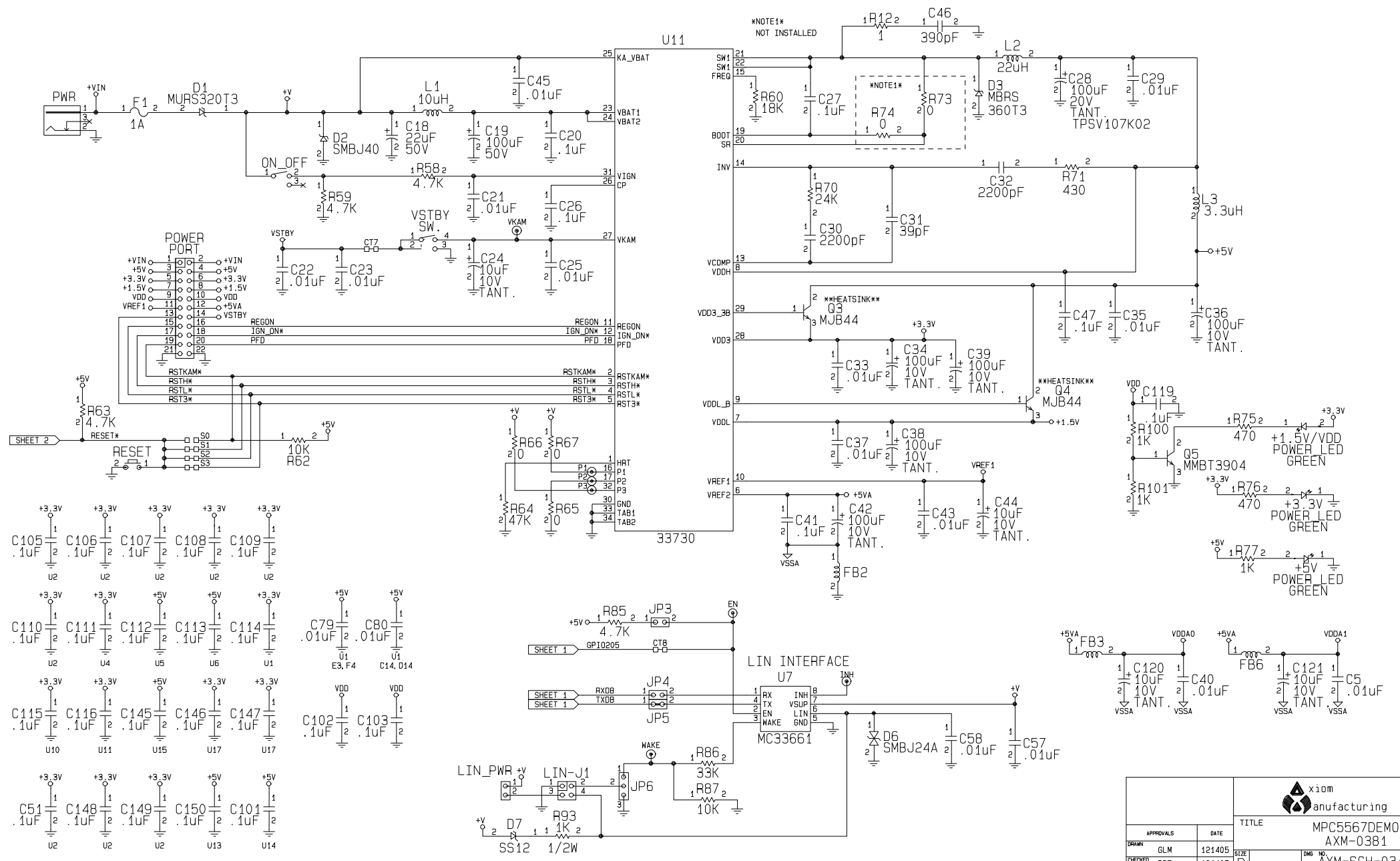
APPROVALS		DATE	TITLE	
DRAWN	GLM	121405	MPC5567DEMO AXM-0381	
CHECKED	RDF	121405	SIZE	D
FINISH			DWG NO.	AXM-SCH-0345
SCALE			REV	A
				SHEET 3 OF 6

D

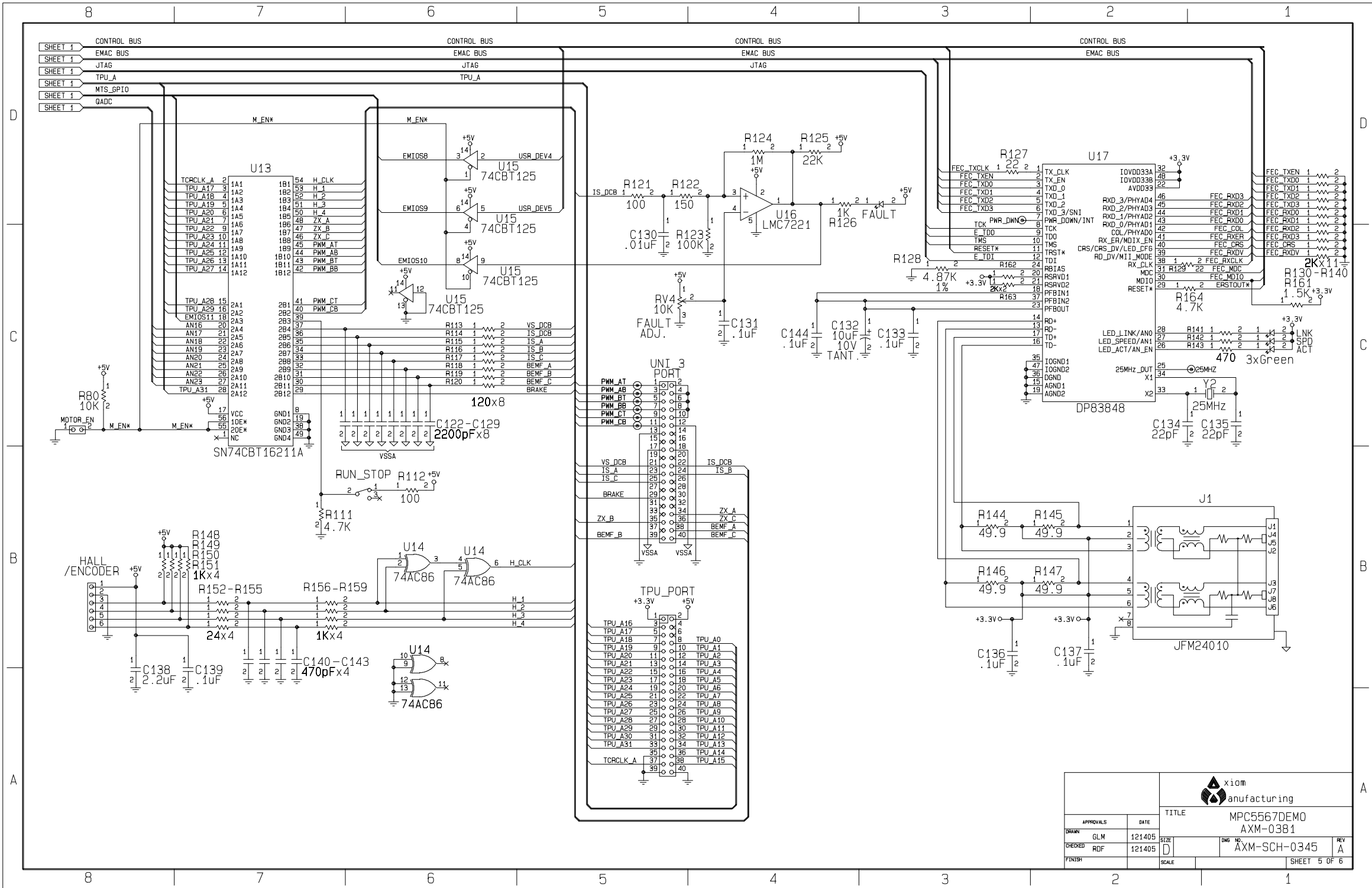
C

B

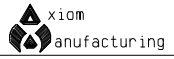
A



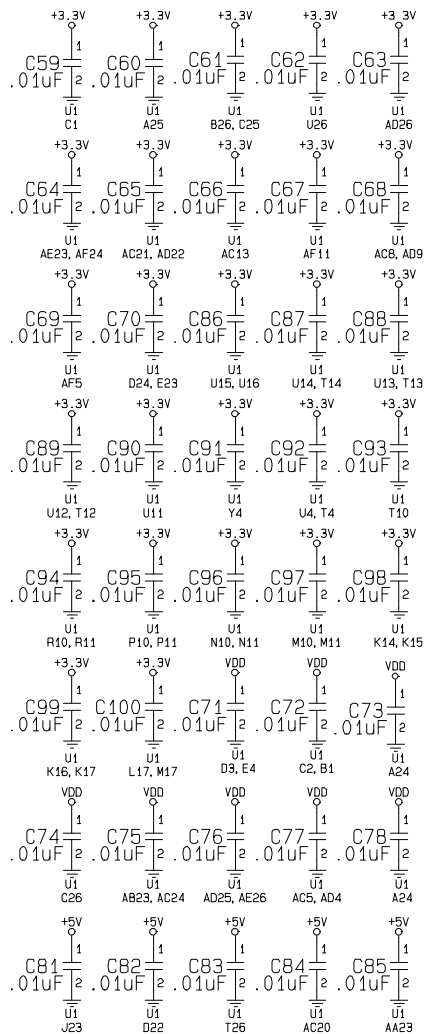
APPROVALS		DATE	TITLE	
DRAWN	GLM	121405	MPC5567DEMO AXM-0381	
CHECKED	RDF	121405	SIZE	D
FINISH			DWG NO.	AXM-SCH-0345
			REV	A
			SCALE	
			SHEET 4 OF 5	



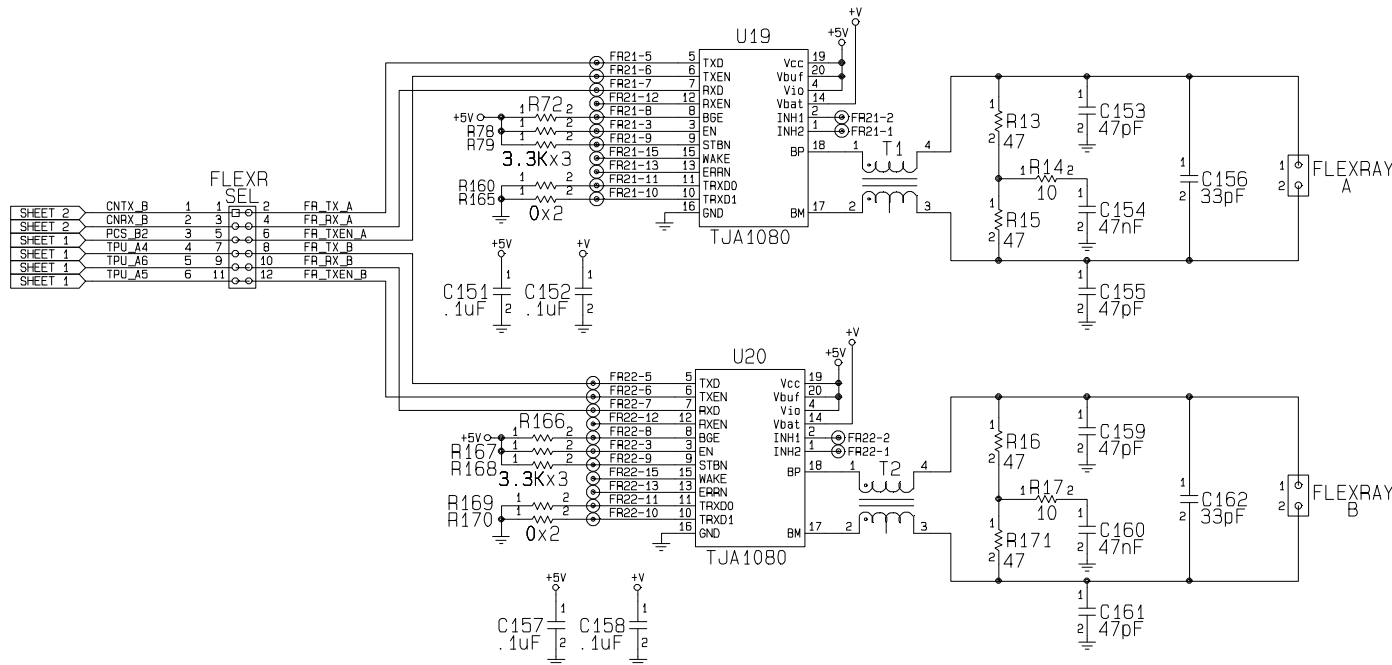
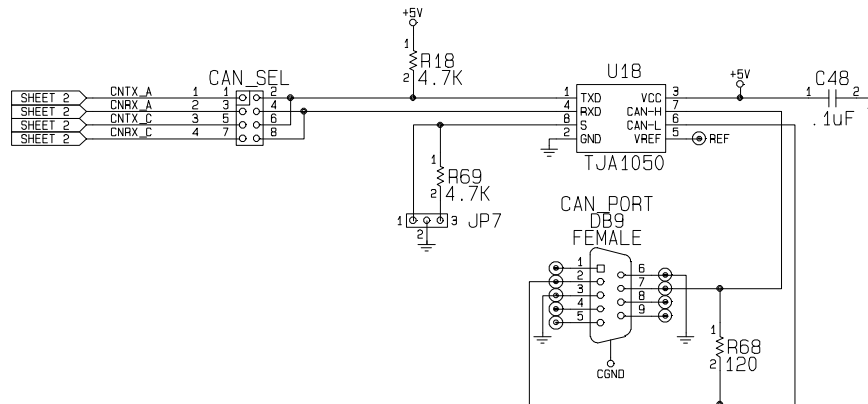
APPROVALS		DATE	TITLE	
DRAWN	GLM	121405	MPC5567DEMO AXM-0381	
CHECKED	RDF	121405	SIZE	DWG NO.
FINISH				AXM-SCH-0345
SCALE			REV A	
			SHEET 5 OF 6	



BYPASS CAPACITORS



0306 SIZE CAPACITORS



APPROVALS		DATE	TITLE	
DRAWN	GLM	121405	MPC5567DEMO AXM-0381	
CHECKED	RDF	121405	SIZE	DWG NO.
FINISH			SCALE	REV
				A
			SHEET 6 OF 6	

