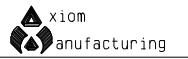
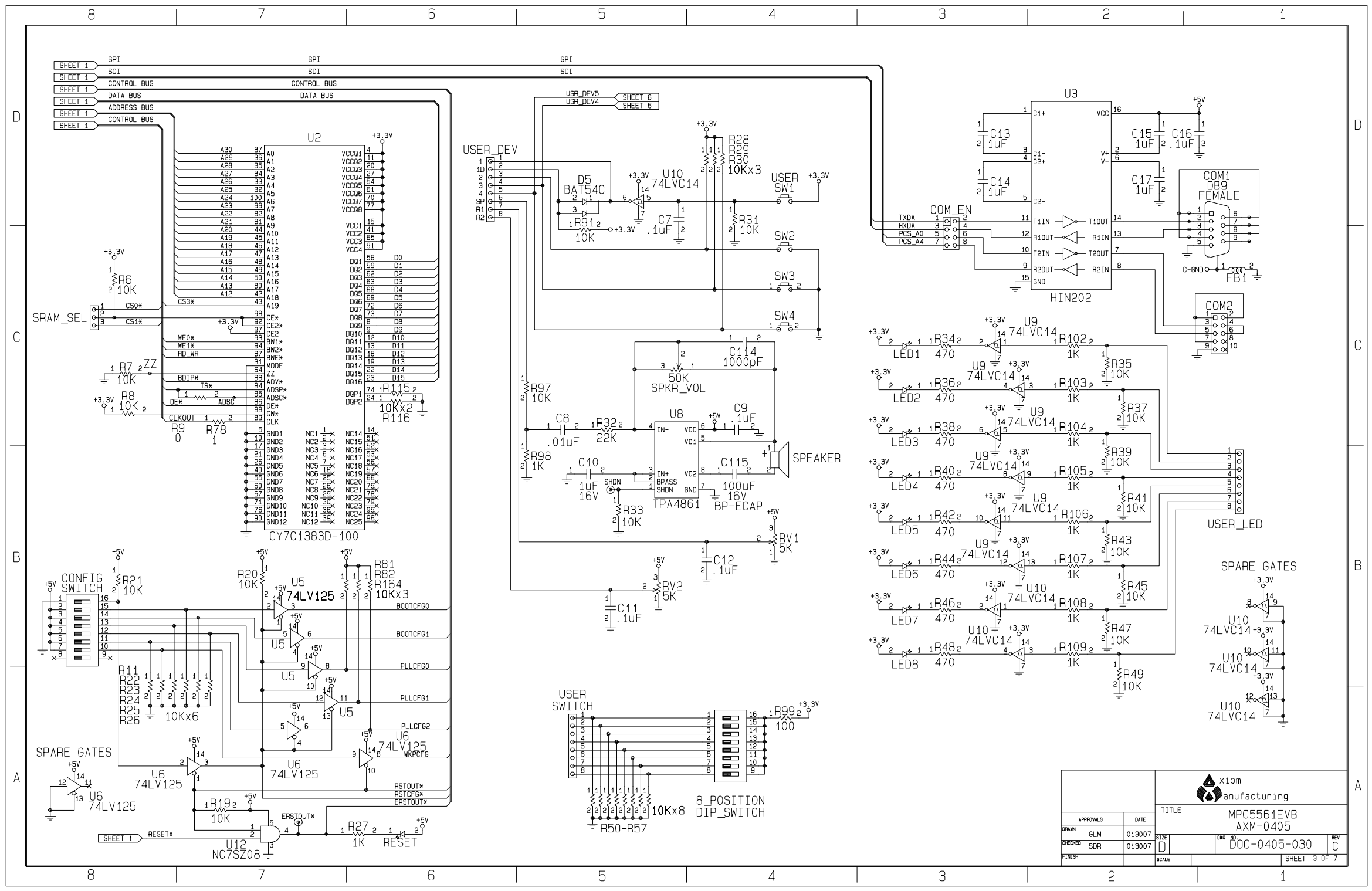


\*NOTE1\*  
DO NOT INSTALL

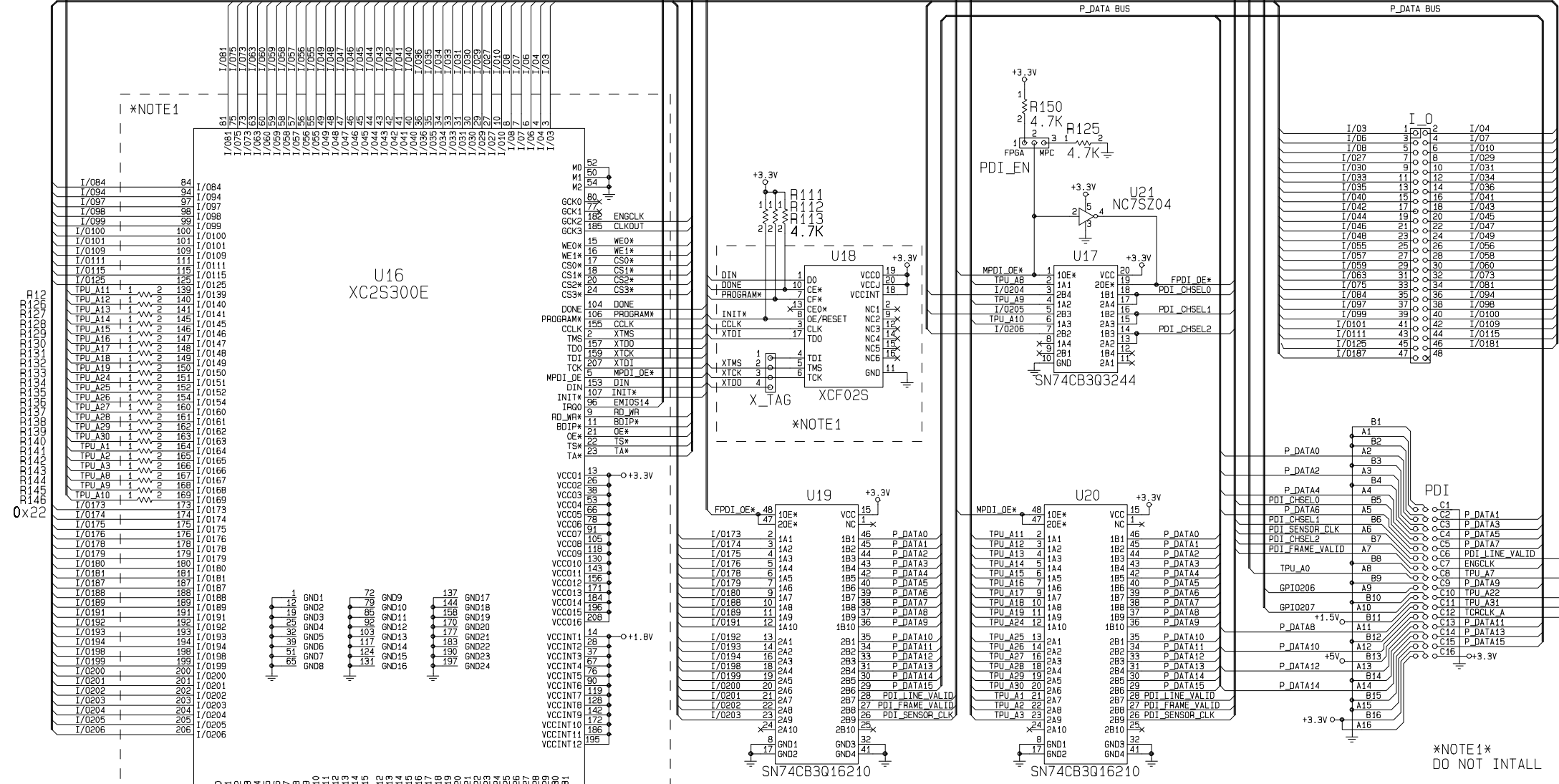
APPROVALS		DATE		TITLE	
GLM	SDR	013007	013007	MPC5561EVb AXM-0405	
DRAWN		SIZE		DWG NO.	
CHECKED		D		DOC-0405-030	
FINISH		SCALE		REV C	
				SHEET 2 OF 7	





APPROVALS		DATE		TITLE	
GLM	SDR	013007	013007	MPC5561EVB AXM-0405	
FINISH	SCALE	SIZE	DWG NO.	REV	C
			DOC-0405-030		
				SHEET 3 OF 7	

MTS\_GPIO TPU\_A CONTROL BUS I/O BUS  
 MTS\_GPIO TPU\_A CONTROL BUS I/O BUS  
 MTS\_GPIO TPU\_A PDI CONTROL BUS I/O BUS  
 MTS\_GPIO TPU\_A PDI CONTROL BUS I/O BUS  
 TPU\_A PDI CONTROL BUS I/O BUS



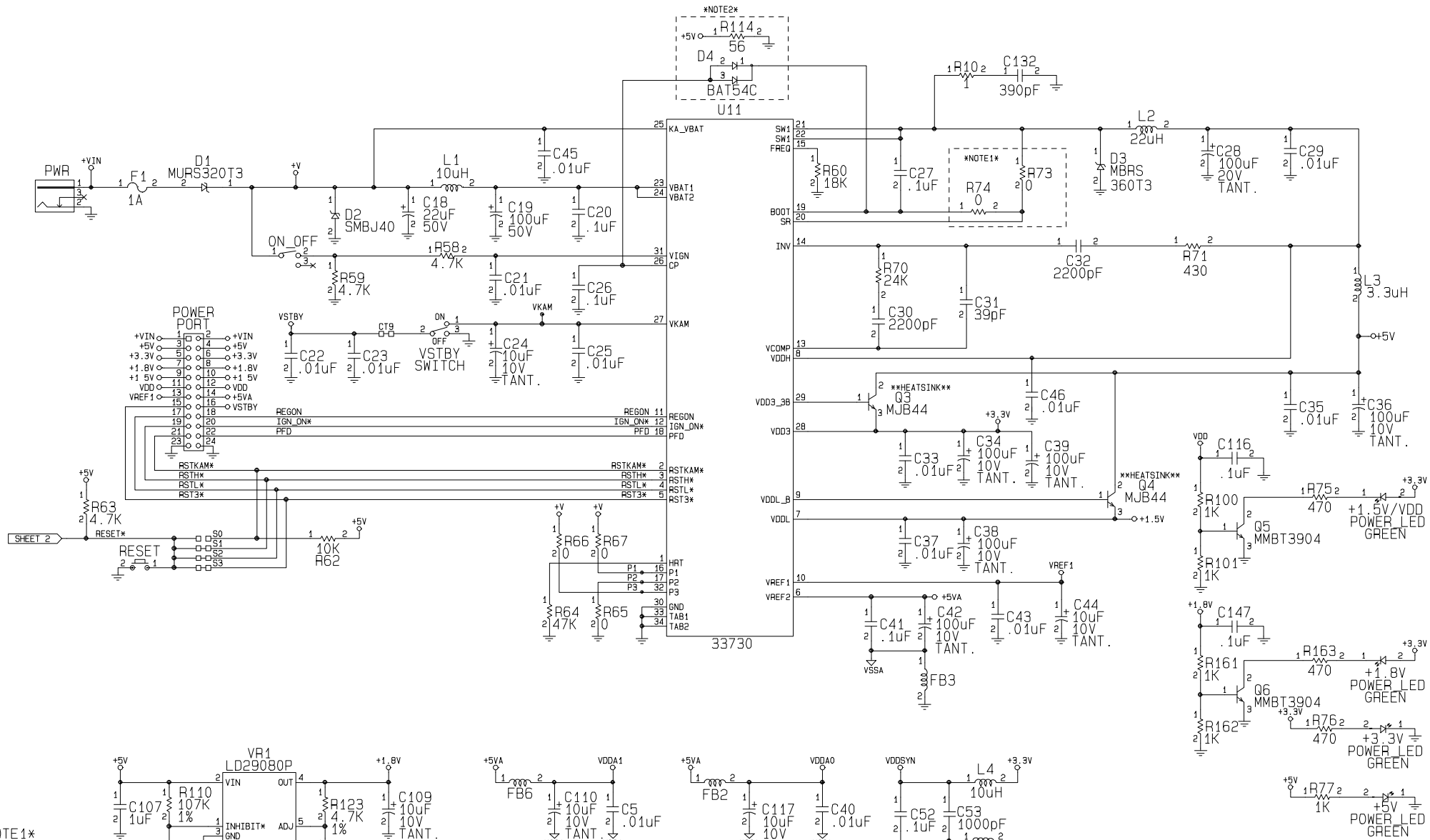
*\*NOTE1*

*\*NOTE1*

*\*NOTE1\**  
DO NOT INTALL

SHEET 1 DATA BUS  
 SHEET 1 ADDRESS BUS

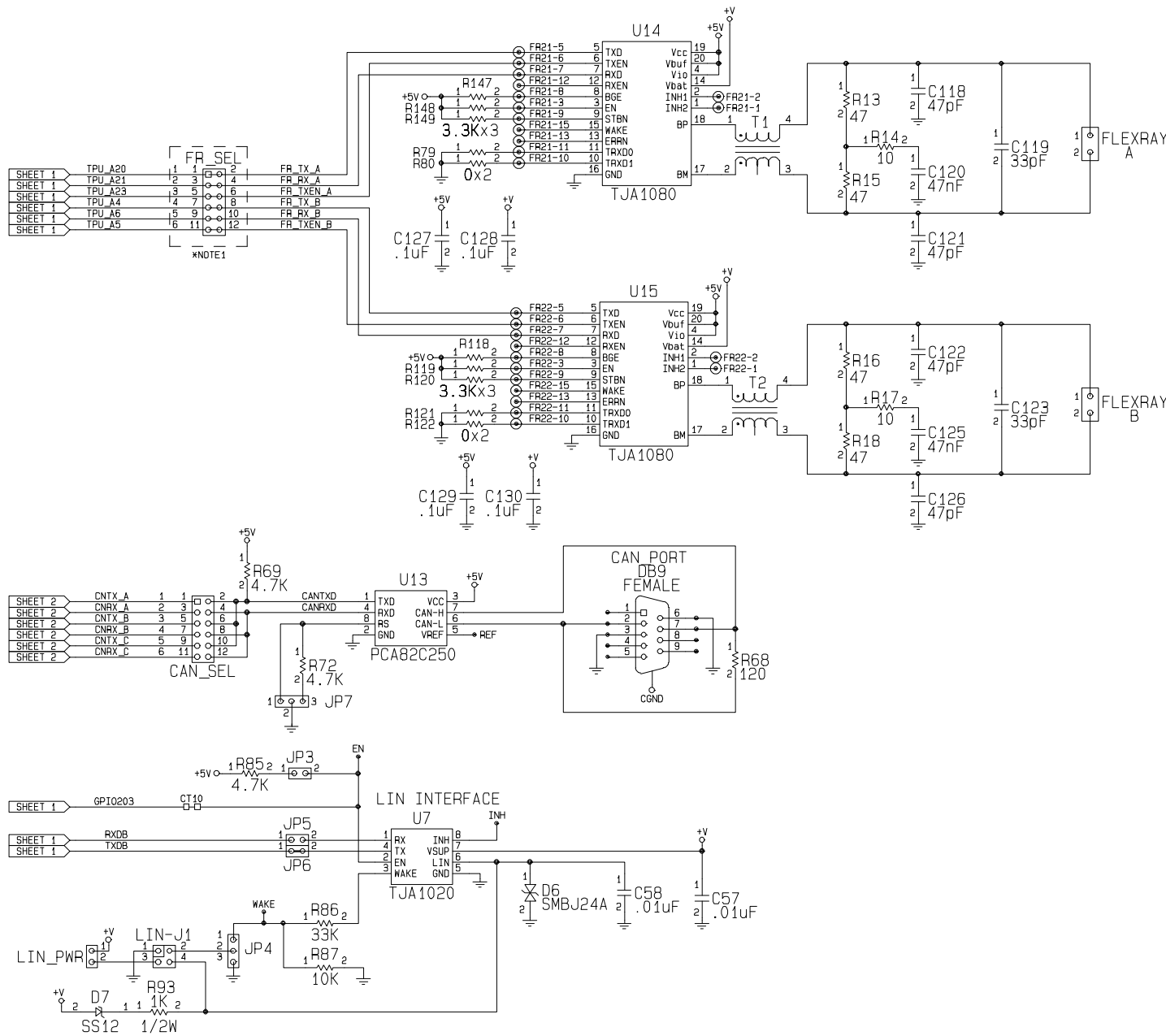
APPROVALS		DATE	TITLE	
GLM	SDR	013007	MPC5561EVB AXM-0405	
CHECKED	SCALE	SIZE	DWG NO.	REV
SDR		D	DOC-0405-030	C
FINISH			SHEET 4 OF 7	



\*NOTE1\*  
DO NOT INTALL

\*NOTE2\*  
MC33730 REV. A  
MODIFICATION IF  
REQUIRED

		TITLE MPC5561EVB AXM-0405	
APPROVALS	DATE	SIZE	DWG. NO.
GLM	013007	D	DOC-0405-030
CHECKED	SDR	SCALE	REV
FINISH			C
			SHEET 5 OF 7



\*NOTE1

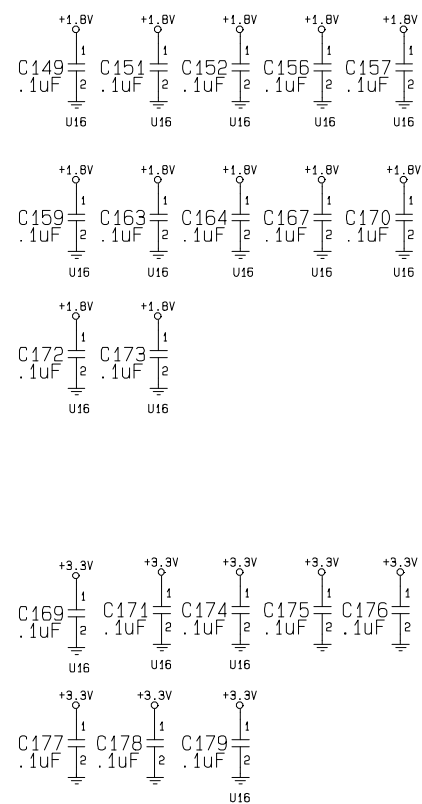
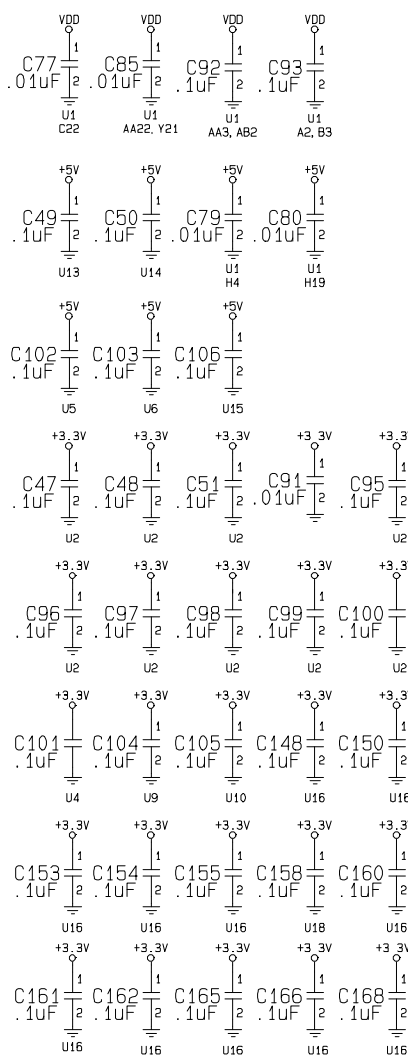
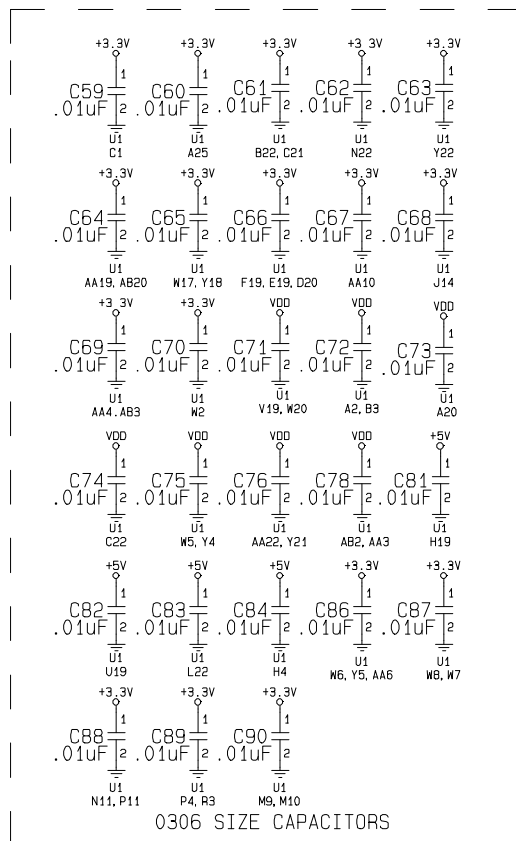
SHEET 1	TPU_A20	1	1	2	1	FR_TX_A
SHEET 1	TPU_A21	2	3	4	2	FR_RX_A
SHEET 1	TPU_A23	3	5	6	6	FR_TXEN_A
SHEET 1	TPU_A4	4	7	8	8	FR_TX_B
SHEET 1	TPU_A6	5	9	10	10	FR_RX_B
SHEET 1	TPU_A5	6	11	12	12	FR_TXEN_B

SHEET 2	CNTX_A	1	1	2	1	CAN_TXD
SHEET 2	CNRX_A	2	3	4	4	CAN_RXD
SHEET 2	CNTX_B	3	5	6	6	CAN_TXD
SHEET 2	CNRX_B	4	7	8	8	CAN_RXD
SHEET 2	CNTX_C	5	9	10	10	CAN_TXD
SHEET 2	CNRX_C	6	11	12	12	CAN_RXD

SHEET 1	GPI0203	1	1	2	1	EN
SHEET 1	RXDB	1	1	2	1	RX
SHEET 1	TXDB	1	1	2	1	TX

APPROVALS		DATE		TITLE	
DRAWN GLM		013007		MPC5561EVB	
CHECKED SDR		013007		AXM-0405	
FINISH		SCALE		DWG NO. DOC-0405-030	
				REV C	
				SHEET 6 OF 7	

# BYPASS CAPACITORS



				TITLE	
				MPC5561EVB AXM-0405	
APPROVALS	DATE	SIZE	DWG NO.	REV	
GLM	013007	D	DOC-0405-030	C	
CHECKED	SDR	SCALE	SHEET 7 OF 7		