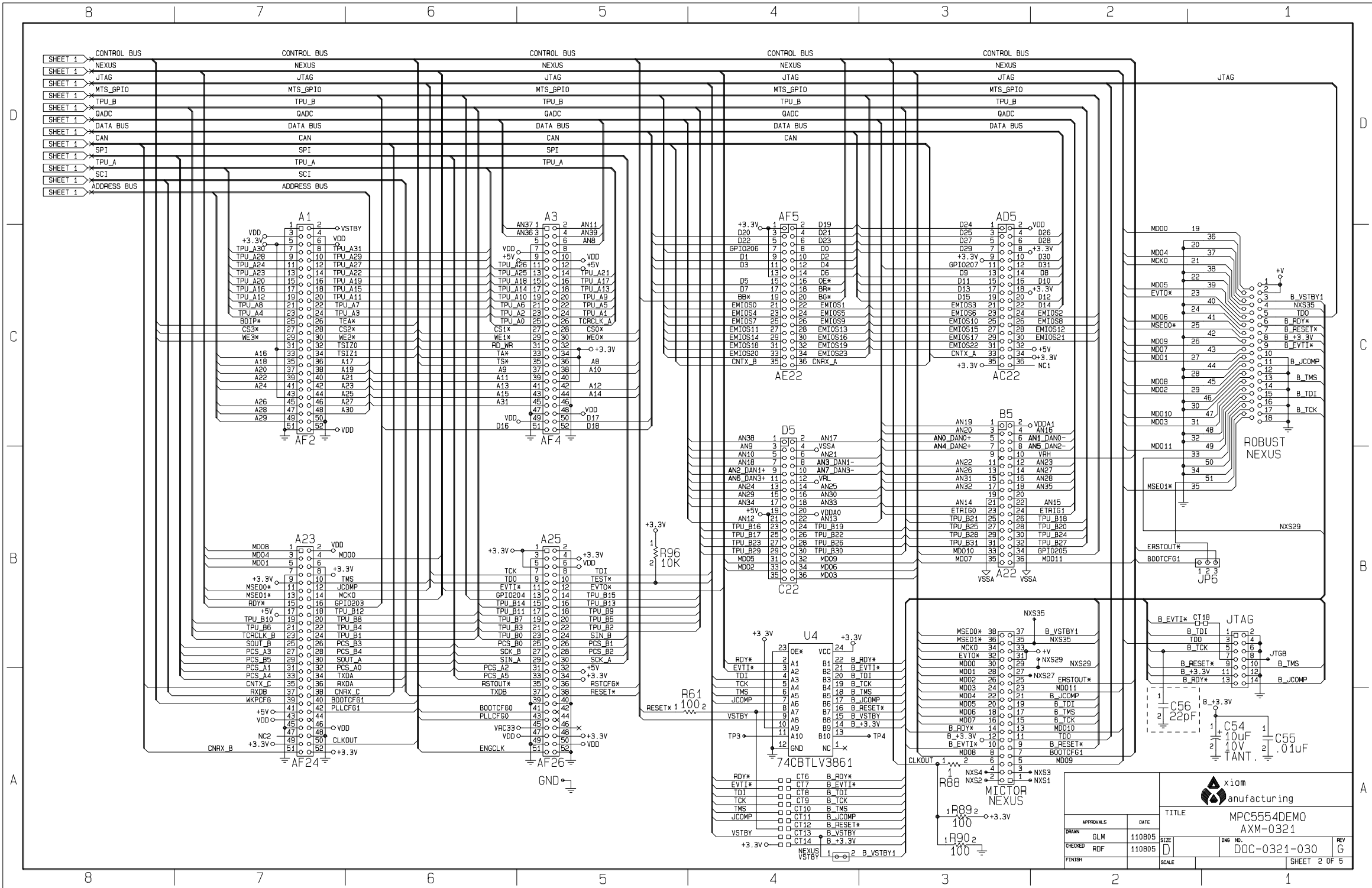


U1
MPC5554_A

ADDRESS BUS
DATA BUS

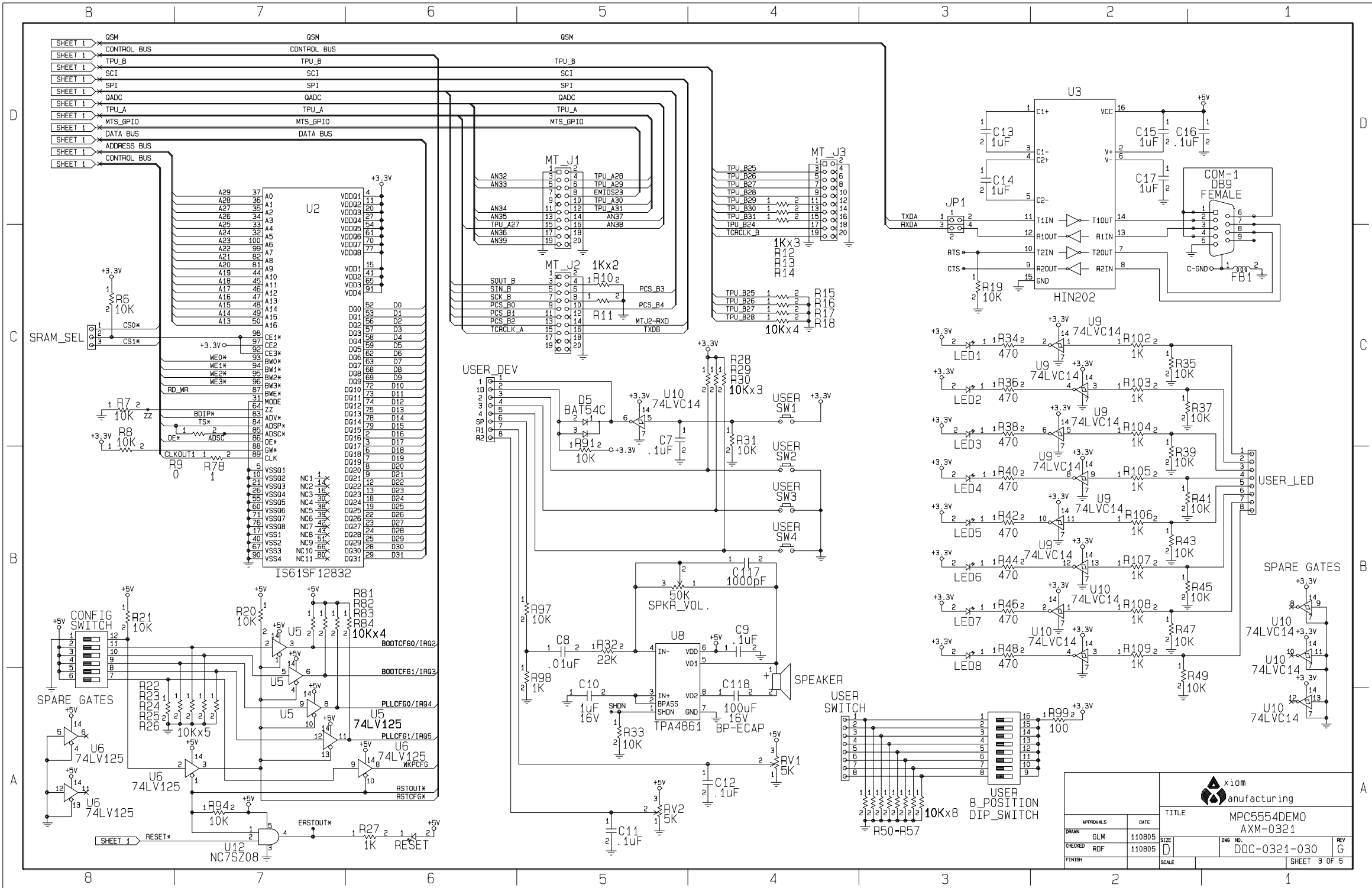
NOTE: NOT INSTALLED FOR REV. A DEVICE

		analog	
TITLE MPC5554DEMO AXM-0321			
APPROVALS DRAWN: GLM CHECKED: RDF FINISH:	DATE 110805 110805	SIZE D	DWG. NO. DOC-0321-030
SCALE		REV G	
SHEET 1 OF 5		SHEET 2	

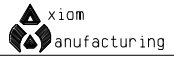


- SHEET 1 CONTROL BUS
- SHEET 1 NEXUS
- SHEET 1 JTAG
- SHEET 1 MTS_GPIO
- SHEET 1 TPU_B
- SHEET 1 QADC
- SHEET 1 DATA BUS
- SHEET 1 CAN
- SHEET 1 SPI
- SHEET 1 TPU_A
- SHEET 1 SCI
- SHEET 1 ADDRESS BUS

		TITLE	
		MPC5554DEMO AXM-0321	
APPROVALS	DATE	SIZE	DWG. NO.
DRAWN GLM	110805	D	DOC-0321-030
CHECKED RDF	110805	SCALE	SHEET 2 OF 5
FINISH			



APPROVALS		DATE	TITLE	
DRAWN	GLM	110805	MPC5554DEMO AXM-0321	
CHECKED	RDF	110805	SIZE	DWG. NO.
FINISH			SCALE	REV
				G
				DOC-0321-030
				SHEET 3 OF 5



TITLE MPC5554DEMO
AXM-0321

APPROVALS DATE TITLE
DRAWN GLM 110805
CHECKED RDF 110805
FINISH

SIZE DWG. NO. REV
D 0321-030 G
SCALE SHEET 3 OF 5

D

C

B

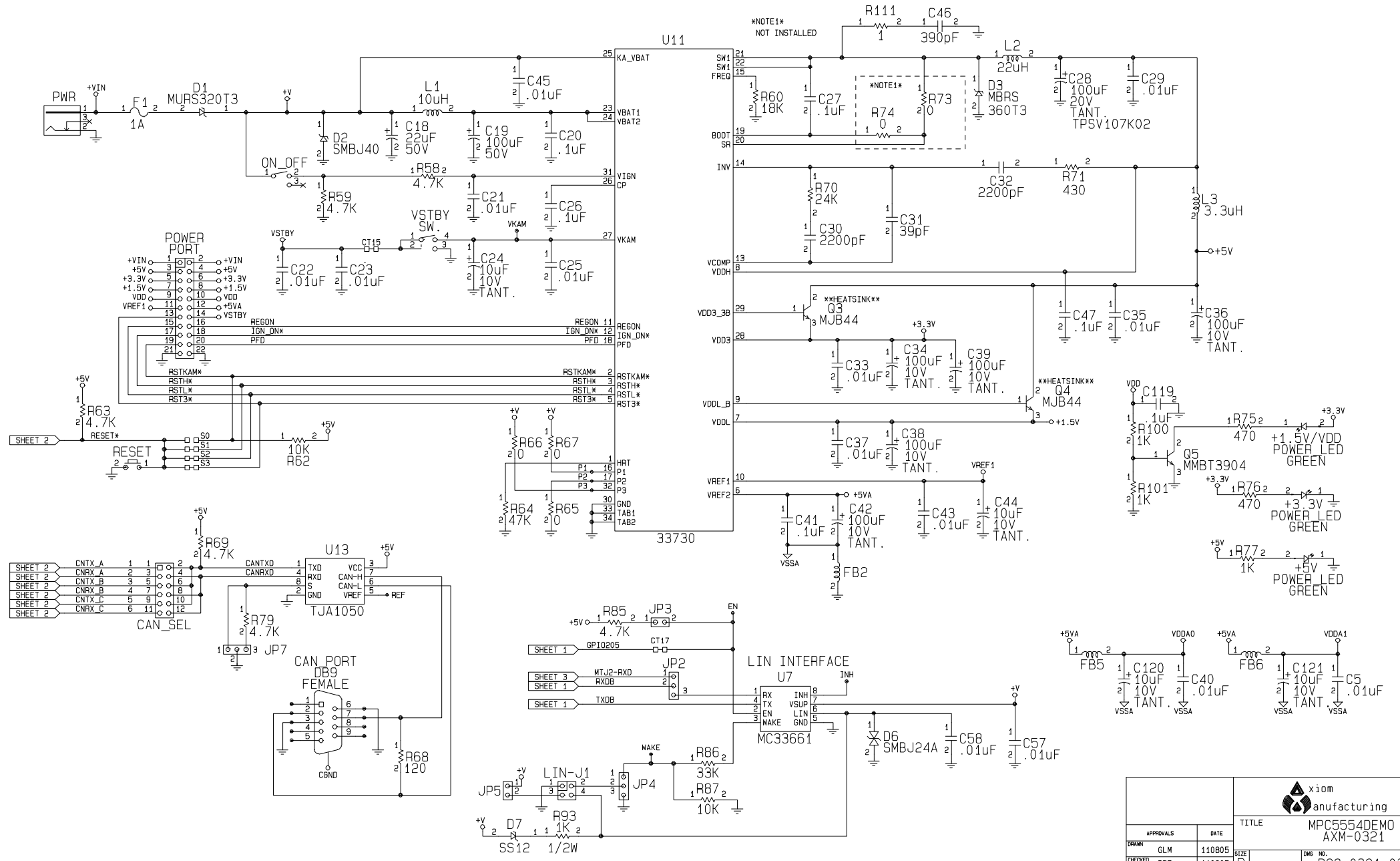
A

D

C

B

A



APPROVALS		DATE	TITLE	
DRAWN	GLM	110805	MPC5554DEMO AXM-0321	
CHECKED	RDF	110805	SIZE	D
FINISH			DWG. NO.	DOC-0321-030
			REV	G
			SCALE	
			SHEET 4 OF 5	

8

7

6

5

4

3

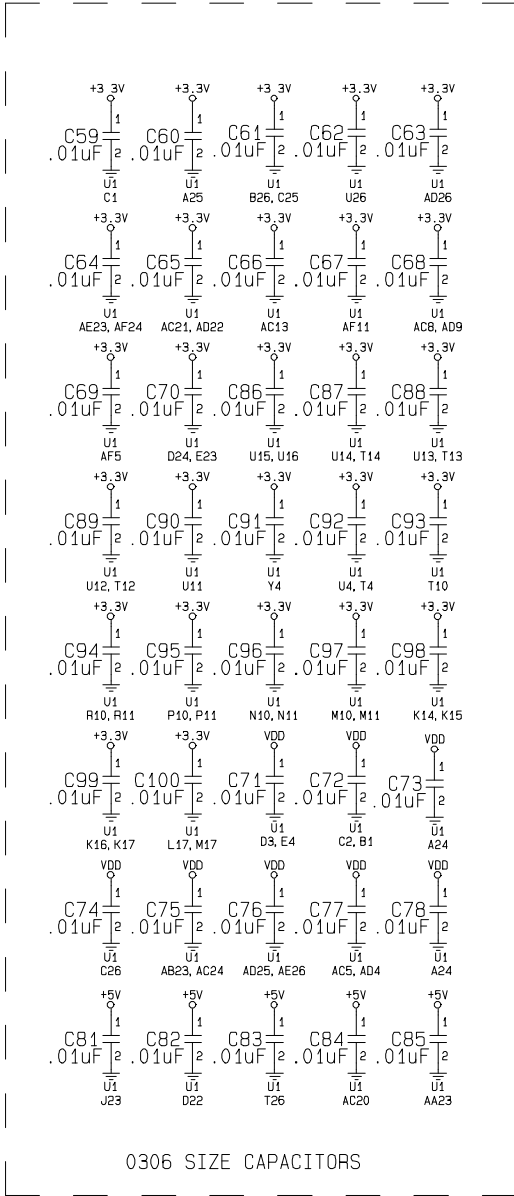
2

1

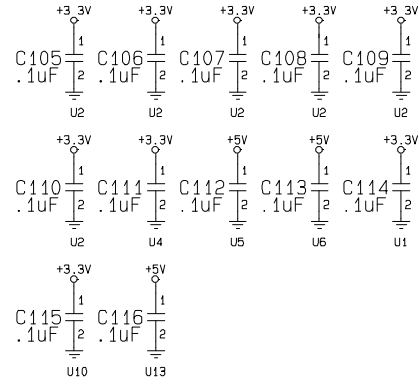
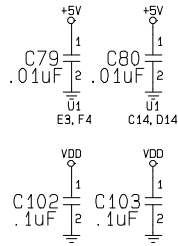
D

D

BYPASS CAPACITORS



0306 SIZE CAPACITORS



C

C

B

B

A

A

8

7

6

5

4

3

2

1

APPROVALS		DATE	TITLE		
DRAWN	GLM	110805	MPC5554DEMO AXM-0321		
CHECKED	RDF	110805	SIZE	DWG NO.	REV
FINISH			D	DOC-0321-030	G
SCALE			SHEET 5 OF 5		

