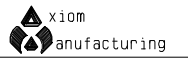
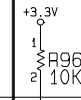
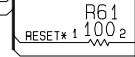
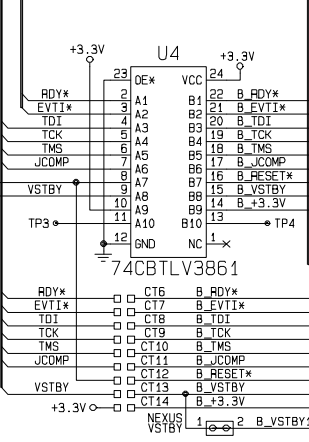
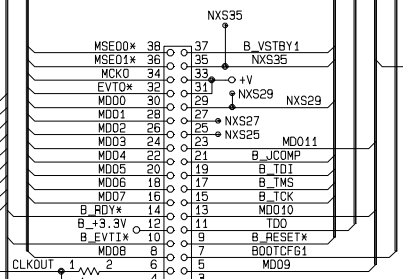
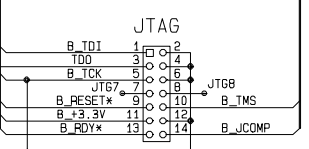


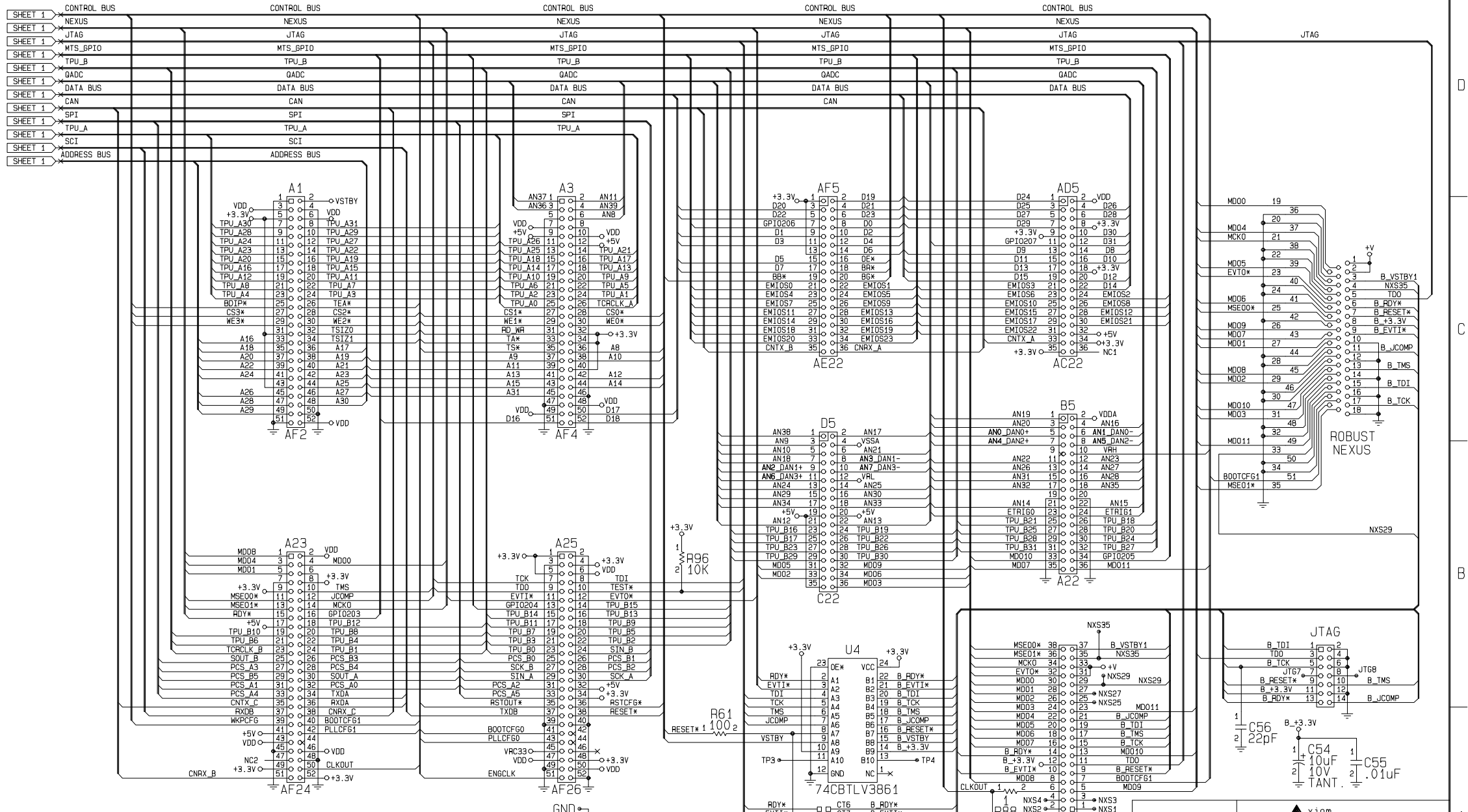
APPROVALS		DATE	TITLE	
DRAWN	GLM	100903	MPC5554DEMO AXM-0321	
CHECKED	RDF	100903	DWG NO.	AX-SCH-0302
FINISH			SCALE	SHEET 2 OF 5

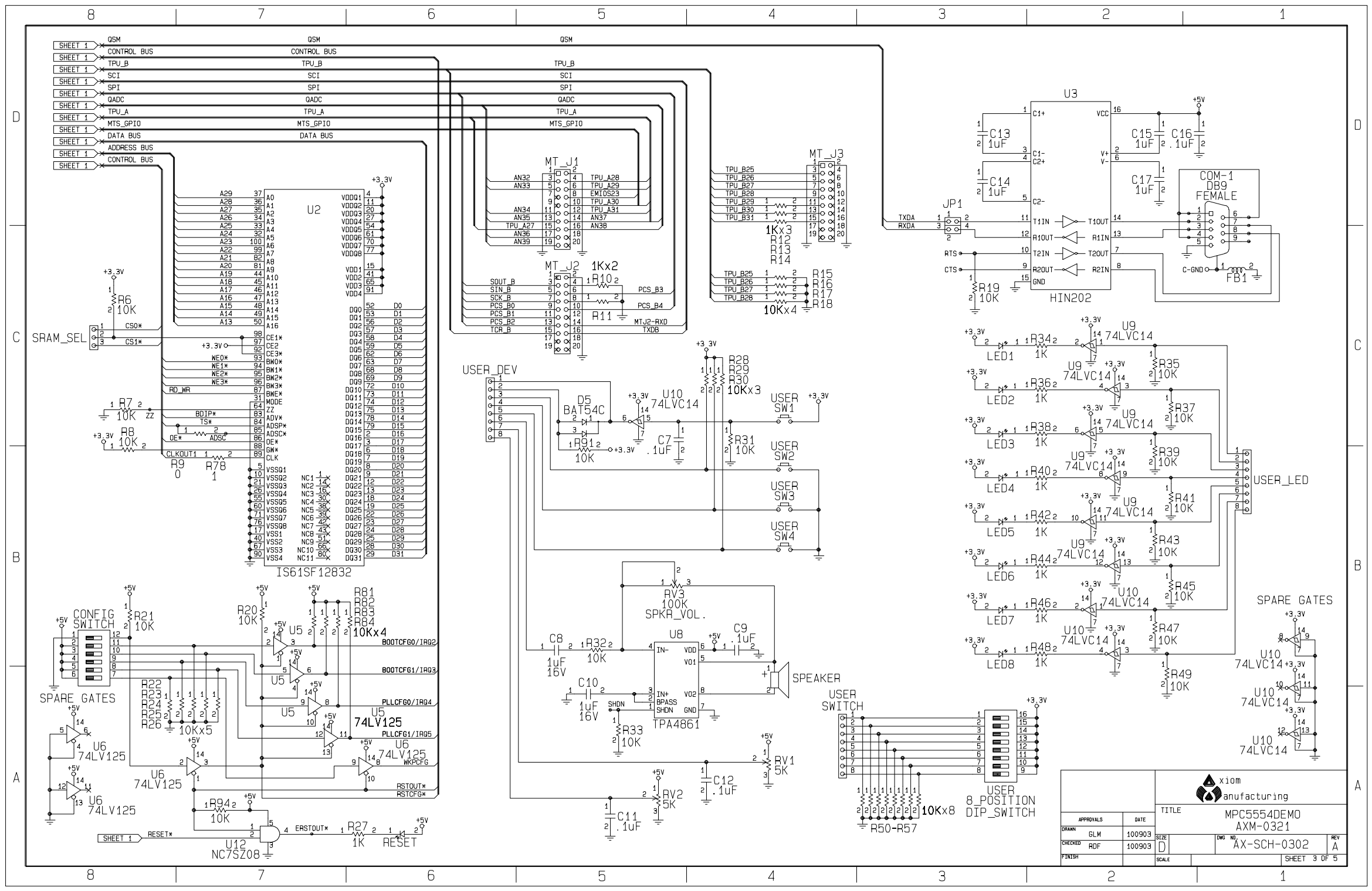


C56 22pF  
 C54 10uF  
 C55 .01uF  
 TANT

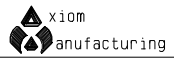


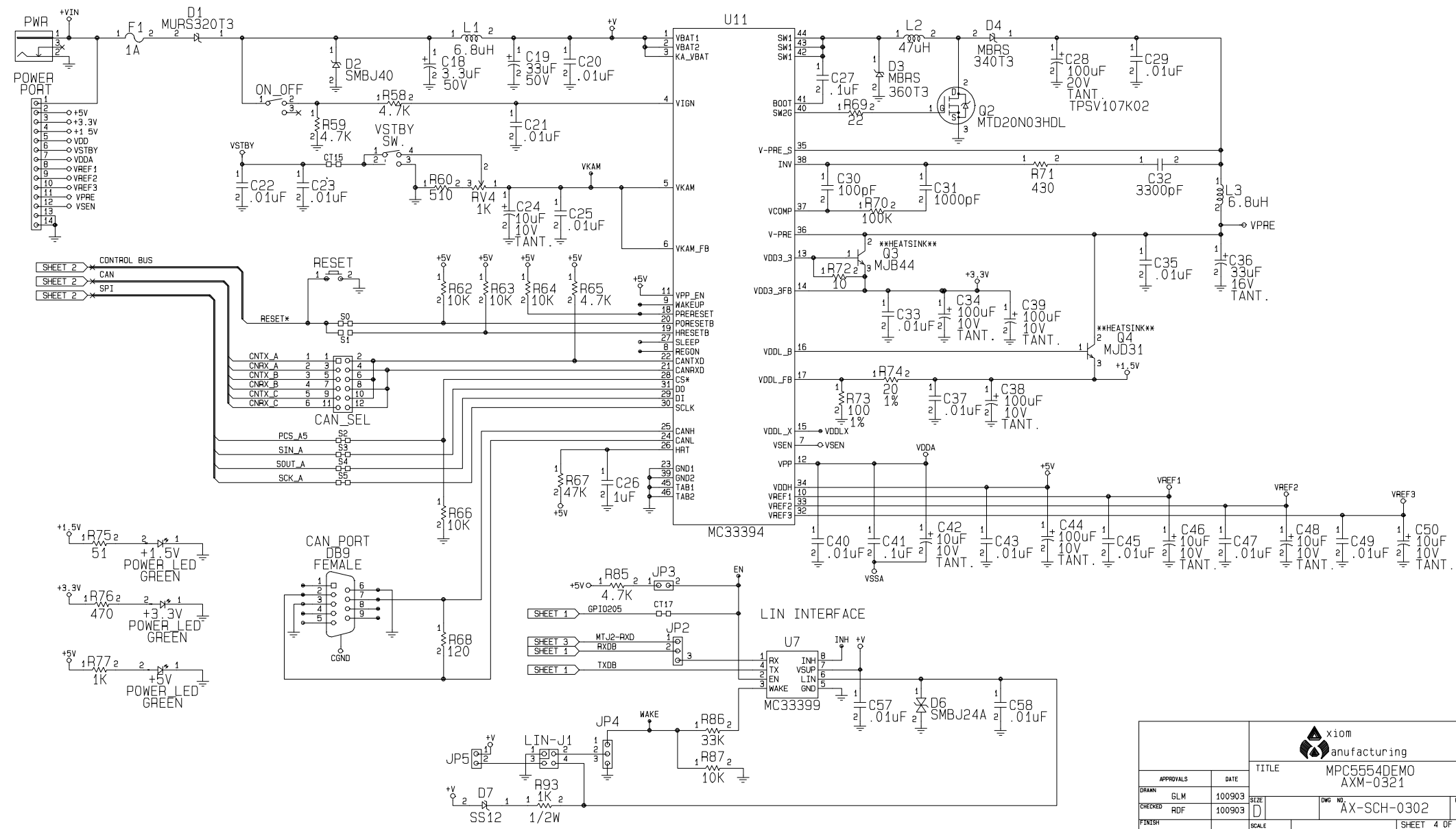
- SHEET 1 CONTROL BUS
- SHEET 1 NEXUS
- SHEET 1 JTAG
- SHEET 1 MTS\_GP10
- SHEET 1 TPU\_B
- SHEET 1 QADC
- SHEET 1 DATA BUS
- SHEET 1 CAN
- SHEET 1 SPI
- SHEET 1 TPU\_A
- SHEET 1 SCI
- SHEET 1 ADDRESS BUS





APPROVALS		DATE	TITLE	
DRN	GLM	100903	MPC5554DEMO	
CHECKED	RDF	100903	SIZE	AXM-0321
FINISH			DWG. NO.	AX-SCH-0302
SCALE			REV	A
			SHEET 3 OF 5	



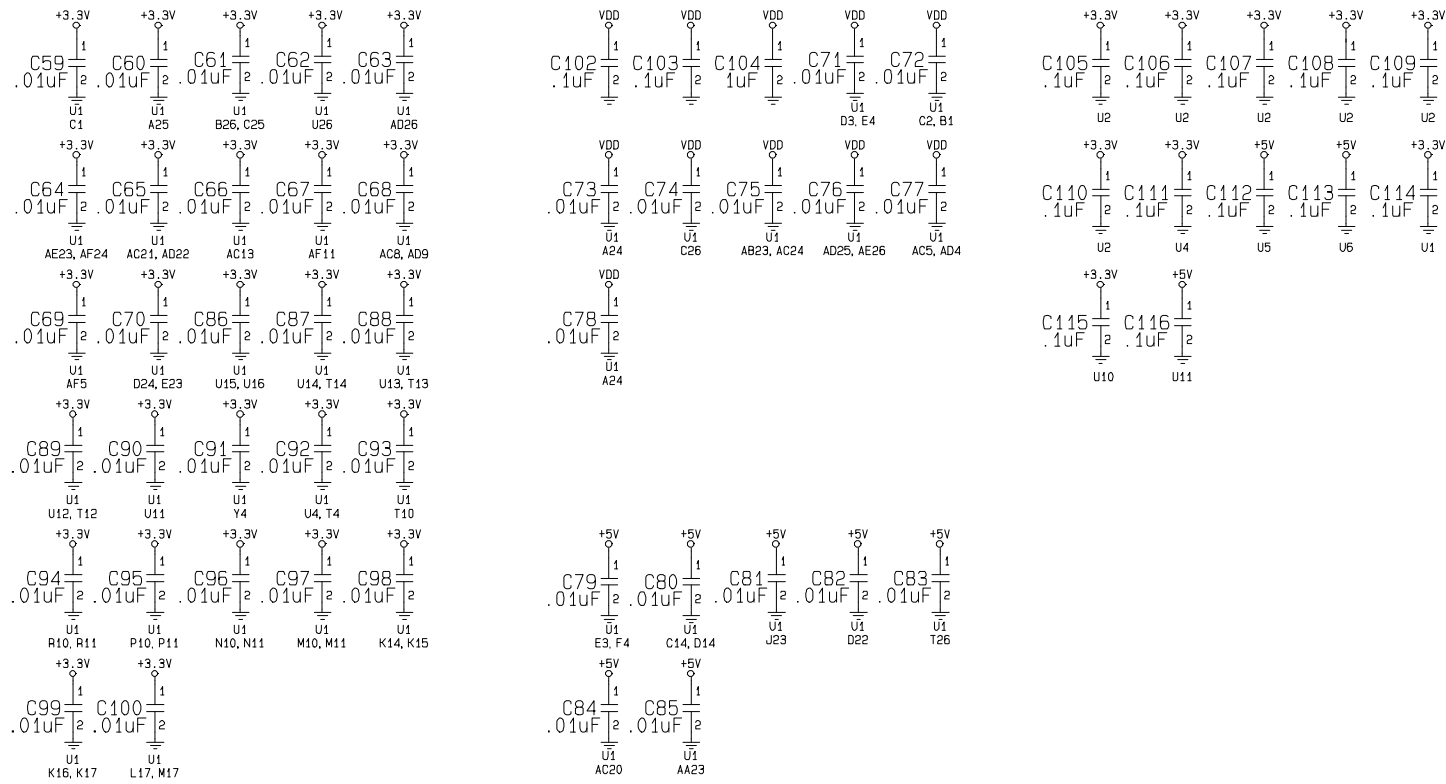



APPROVALS		DATE	TITLE	
DRN	GLM	100903	MPC5554DEMO AXM-0321	
CHECKED	RDF	100903	SIZE	DWG NO.
FINISH		SCALE	AX-SCH-0302	REV A
				SHEET 4 OF 5

8 7 6 5 4 3 2 1

D  
C  
B  
A

BYPASS CAPACITORS



		 xiom manufacturing		TITLE MPC5554DEMO AXM-0321	
APPROVALS	DATE	SIZE	DWG. NO.	REV	
DRAWN GLM	100903	D	AX-SCH-0302	A	
CHECKED RDF	100903	SCALE	SHEET 5 OF 5		

8 7 6 5 4 3 2 1