

NOTE1: NOT INSTALLED FOR REV. A DEVICE

NOTE2: MPC5553 SIGNAL SHOWN

NOTE3: MPC5554 SIGNAL SHOWN

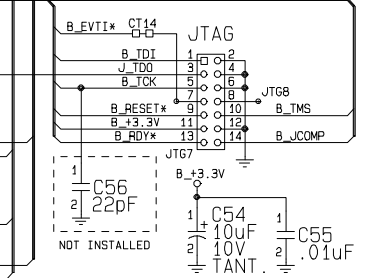
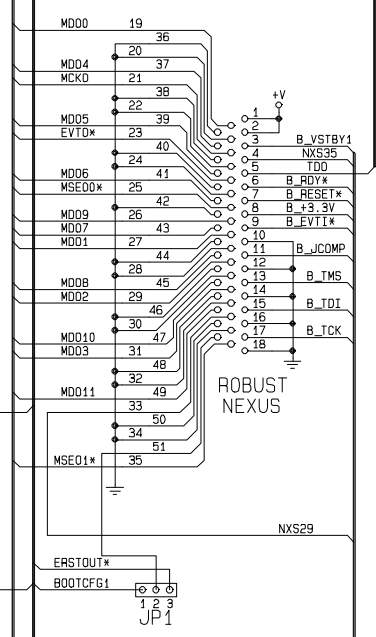
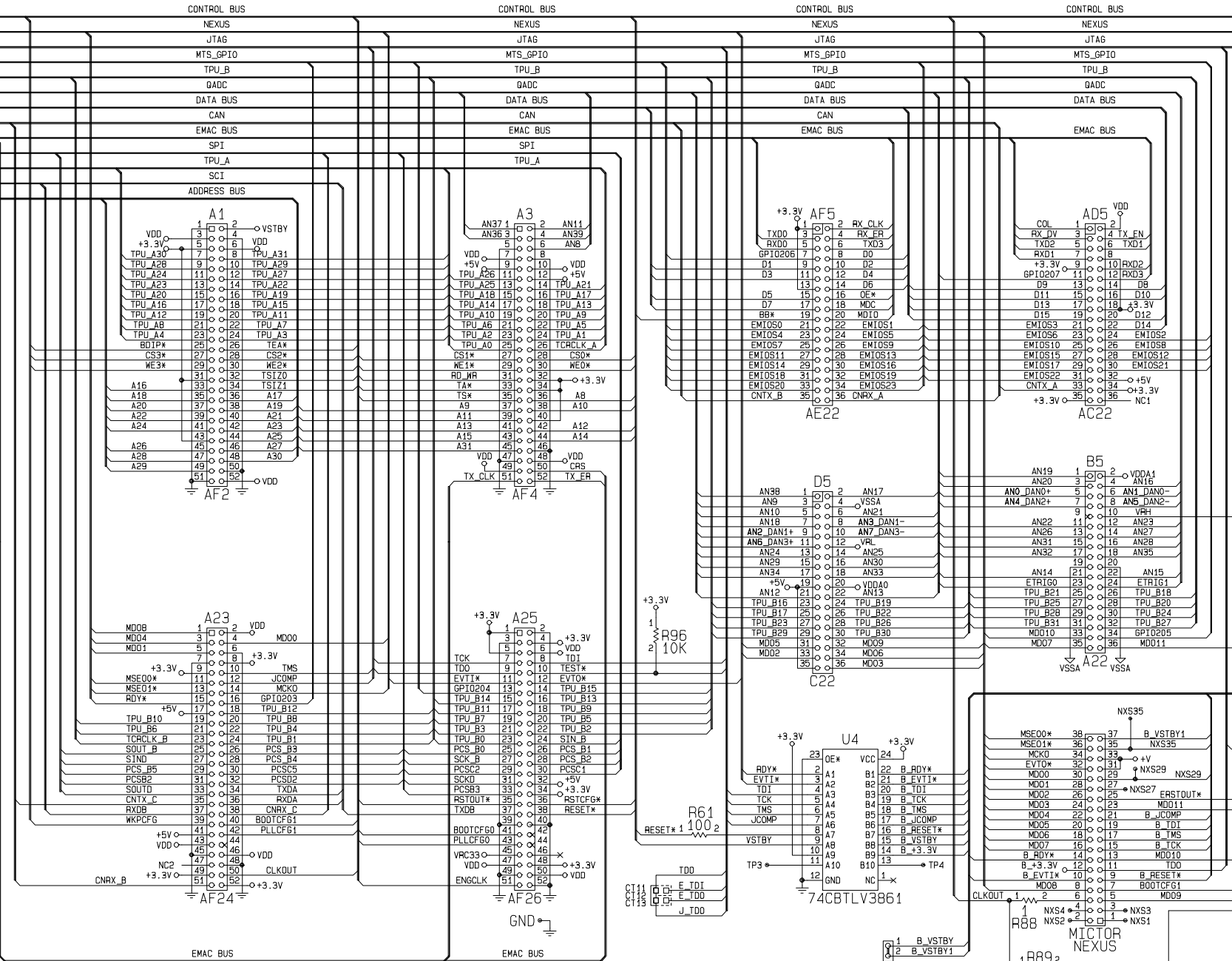
NOTE4: SPI_A NOT AVAILABLE ON MPC5553

APPROVALS	DATE	TITLE
GLM	080706	MPC5553EVB
RDF	080706	AXM-0365
FINISH		

SCALE: 1:1

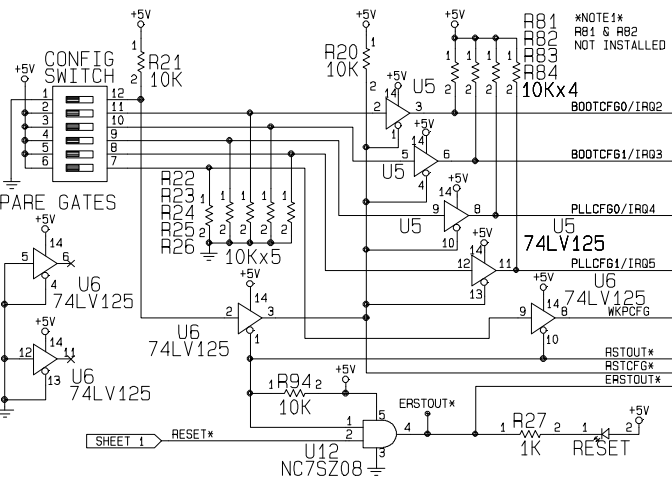
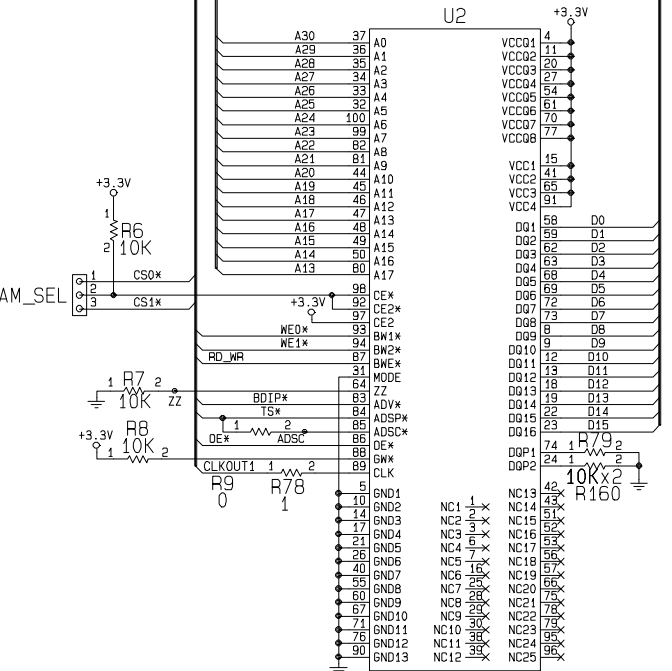
SHEET 1 OF 6

- SHEET 1 CONTROL BUS
- SHEET 1 NEXUS
- SHEET 1 JTAG
- SHEET 1 MTS_GPIO
- SHEET 1 TPU_B
- SHEET 1 QADC
- SHEET 1 DATA BUS
- SHEET 1 CAN
- SHEET 1 EMAC BUS
- SHEET 1 SPI
- SHEET 1 TPU_A
- SHEET 1 SCI
- SHEET 1 ADDRESS BUS

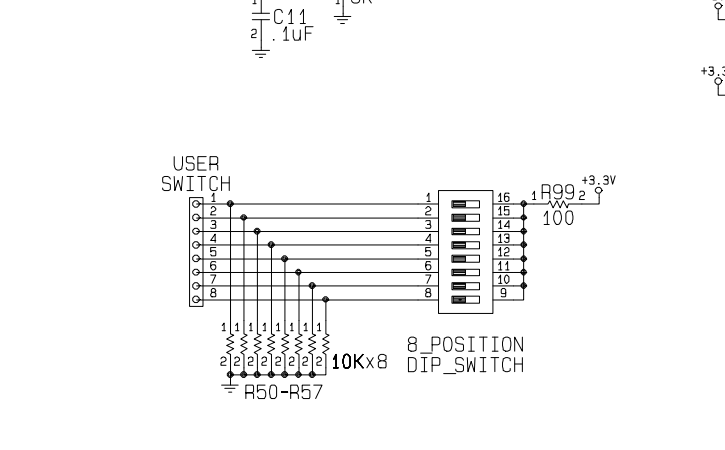
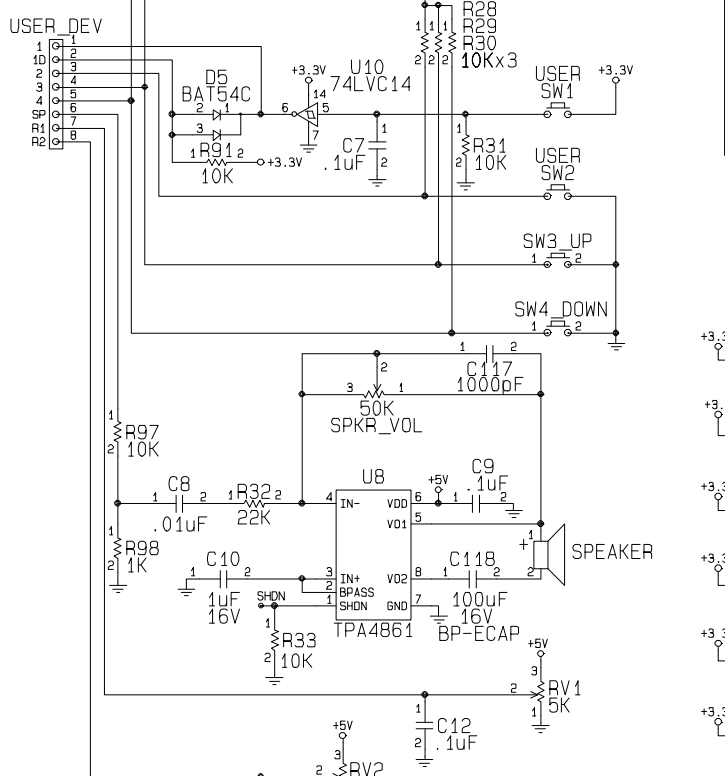


APPROVALS		DATE		TITLE	
GLM		080706		MPC5553EVB AXM-0365	
CHECKED	RDF	080706	D	SIZE	DOC-0365-030
FINISH				SCALE	SHEET 2 OF 6

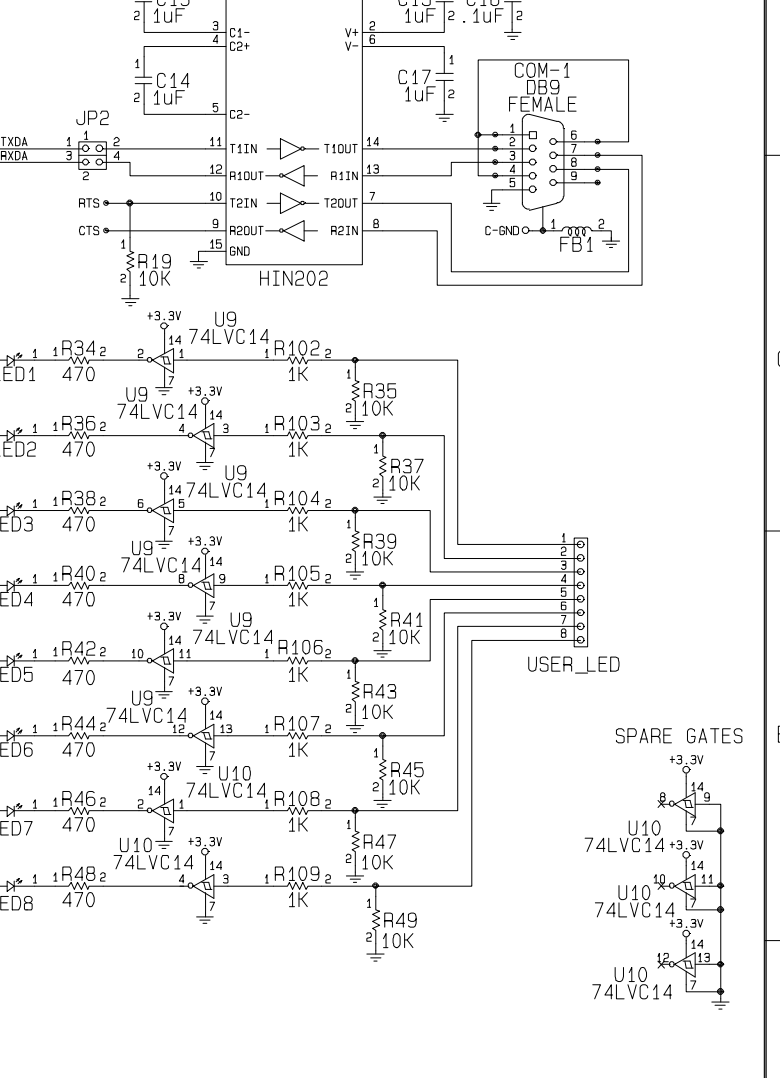
SHEET 1 SCI
 SHEET 1 CONTROL BUS
 SHEET 1 DATA BUS
 SHEET 1 ADDRESS BUS
 SHEET 1 CONTROL BUS



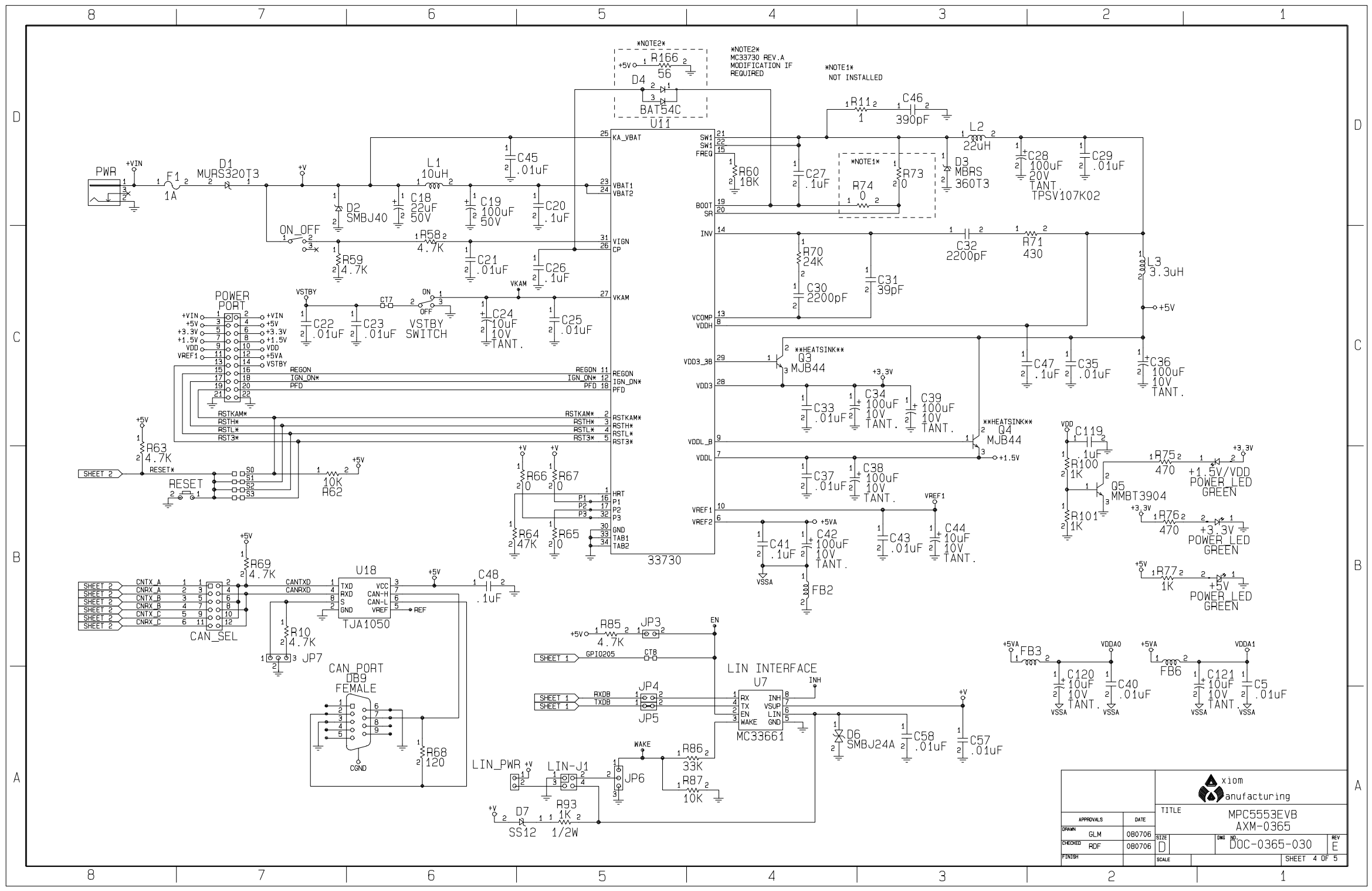
USER_DEV5 SHEET 6
 USER_DEV4 SHEET 6



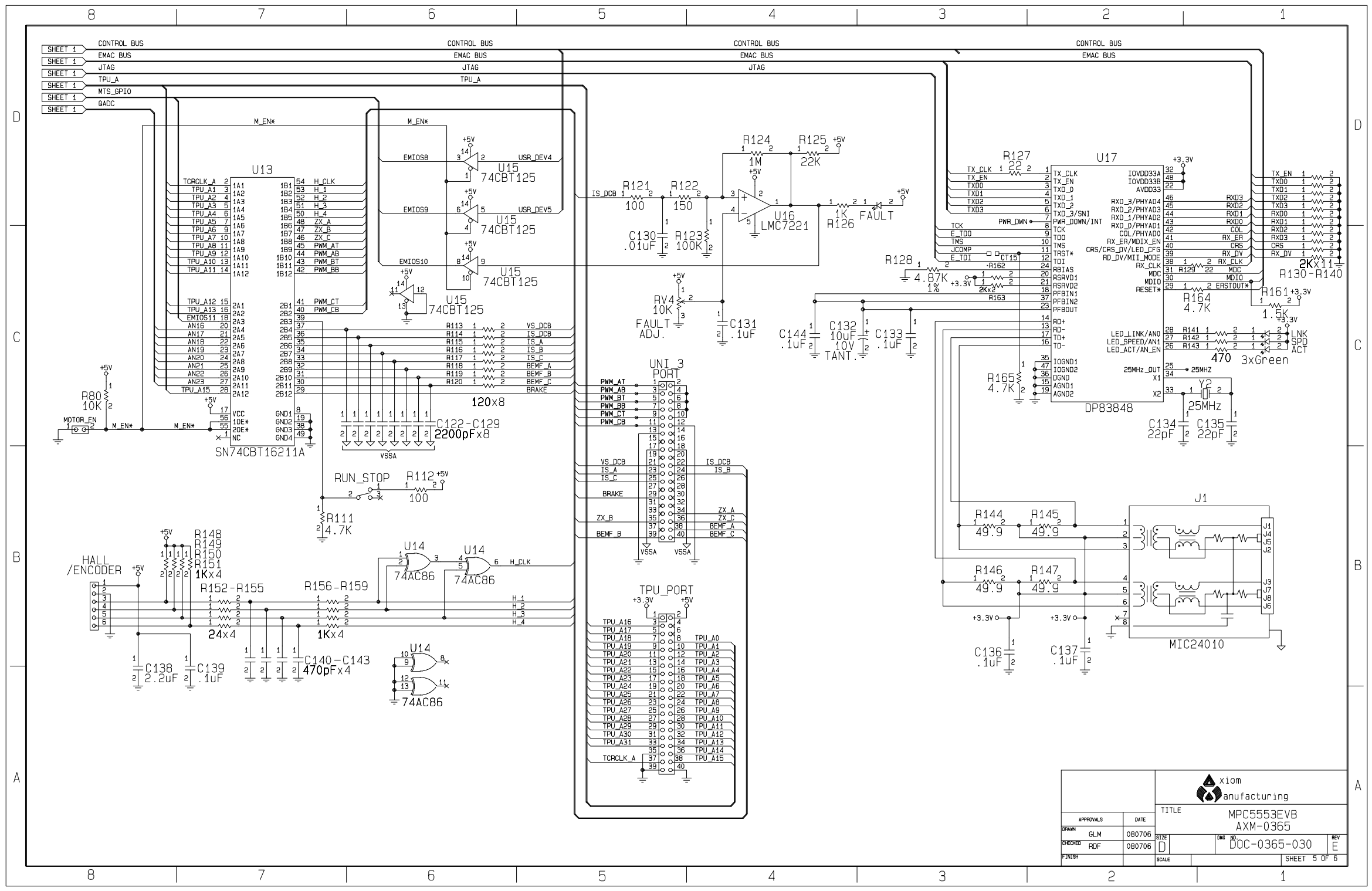
TITLE
 MPC5553EVB
 AXM-0365



APPROVALS		DATE		TITLE	
GLM	RDF	080706	080706	MPC5553EVB AXM-0365	
DRAWN		SIZE		DWG. NO.	
CHECKED		D		DOC-0365-030	
FINISH		SCALE		SHEET 3 OF 6	



		TITLE	
		MPC5553EVB AXM-0365	
APPROVALS	DATE	SIZE	DRG. NO.
GLM	080706	D	DOC-0365-030
CHECKED	RDF	080706	REV
FINISH		SCALE	SHEET 4 OF 5



APPROVALS		DATE	TITLE	
DRWN	GLM	080706	MPC5553EVB AXM-0365	
CHECKED	RDF	080706	SIZE	DWG NO.
FINISH			D	DOC-0365-030
			SCALE	SHEET 5 OF 6



Xiom Manufacturing
MPC5553EVB
AXM-0365

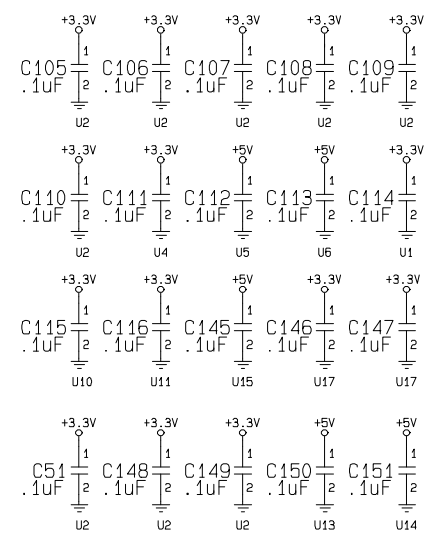
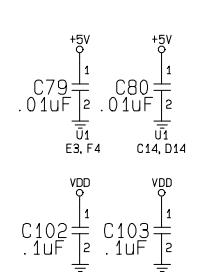
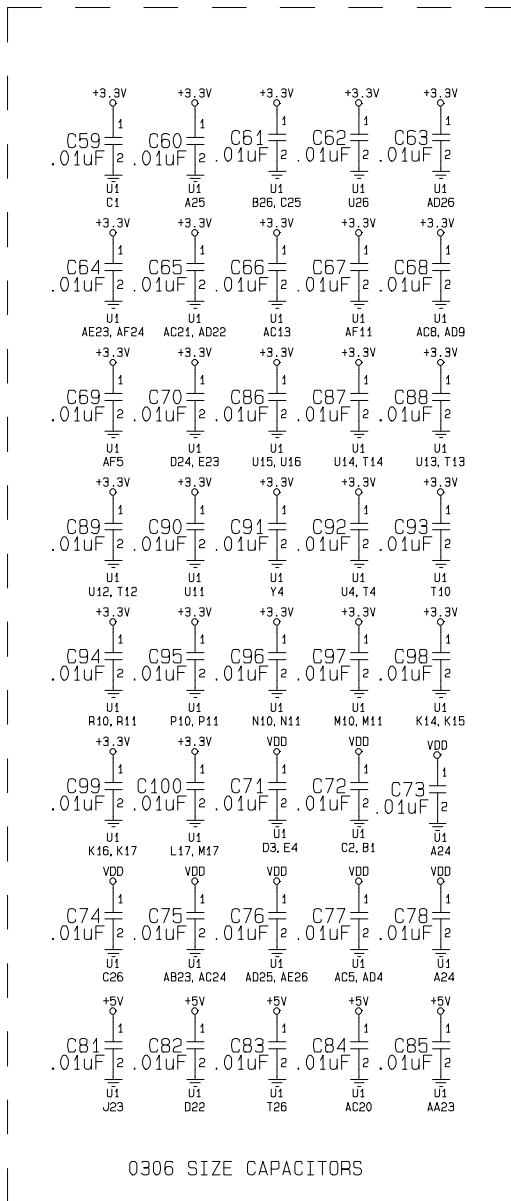
SIZE: D
DWG NO.: DOC-0365-030

SHEET 5 OF 6

8 7 6 5 4 3 2 1

D
C
B
A

BYPASS CAPACITORS



APPROVALS		DATE	TITLE	
DRAWN	GLM	080706	MPC5553EVB AXM-0365	
CHECKED	RDF	080706	SIZE	DWG NO.
FINISH			SCALE	DOC-0365-030
			REV E	
			SHEET 6 OF 6	

8 7 6 5 4 3 2 1