

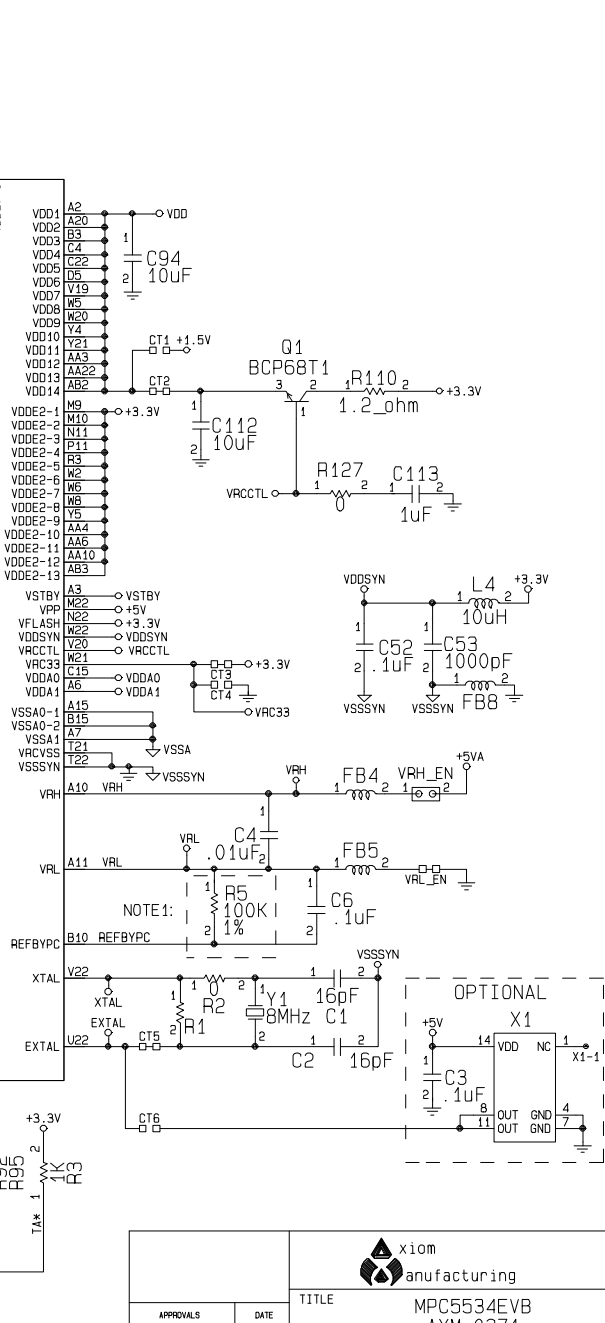
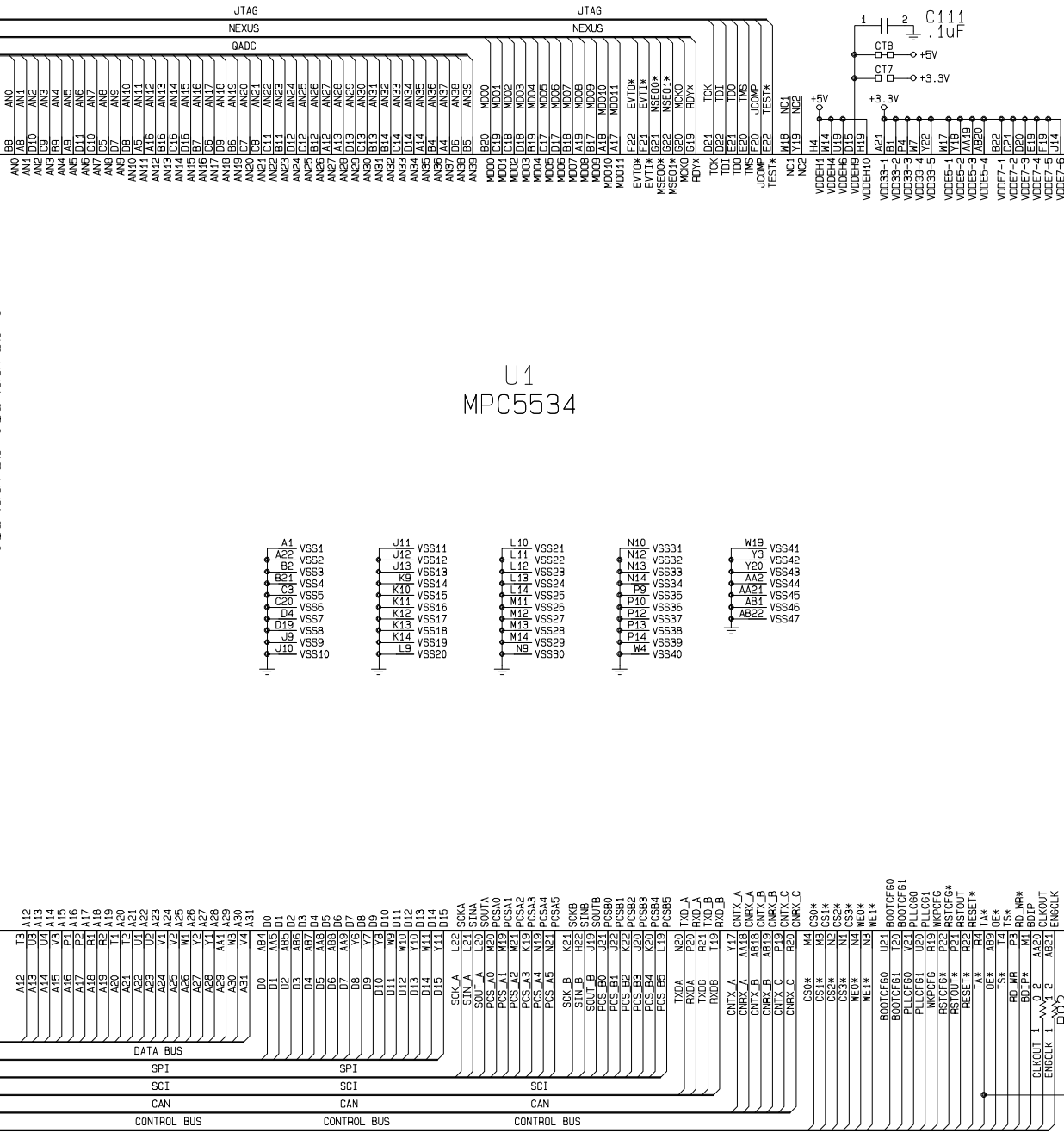
SHEET 2 JTAG
 SHEET 2 NEXUS
 SHEET 2 QADC
 SHEET 2 TPU_A
 SHEET 2 MTS_GPTIO

TPU_A0 L3 @TPU_A0
 TPU_A1 L4 @TPU_A1
 TPU_A2 K3 @TPU_A2
 TPU_A3 L3 @TPU_A3
 TPU_A4 L4 @TPU_A4
 TPU_A5 K4 @TPU_A5
 TPU_A6 J3 @TPU_A6
 TPU_A7 K2 @TPU_A7
 TPU_A8 K1 @TPU_A8
 TPU_A9 J4 @TPU_A9
 TPU_A10 H3 @TPU_A10
 TPU_A11 J2 @TPU_A11
 TPU_A12 J1 @TPU_A12
 TPU_A13 G4 @TPU_A13
 TPU_A14 G3 @TPU_A14
 TPU_A15 H2 @TPU_A15
 TPU_A16 H1 @TPU_A16
 TPU_A17 F3 @TPU_A17
 TPU_A18 F4 @TPU_A18
 TPU_A19 G2 @TPU_A19
 TPU_A20 G1 @TPU_A20
 TPU_A21 E4 @TPU_A21
 TPU_A22 F2 @TPU_A22
 TPU_A23 F1 @TPU_A23
 TPU_A24 E1 @TPU_A24
 TPU_A25 E3 @TPU_A25
 TPU_A26 D3 @TPU_A26
 TPU_A27 E2 @TPU_A27
 TPU_A28 D1 @TPU_A28
 TPU_A29 D2 @TPU_A29
 TPU_A30 C1 @TPU_A30
 TPU_A31 C2 @TPU_A31

EMI0S0 AB10 EMI0S0
 EMI0S1 AB11 EMI0S1
 EMI0S2 W12 EMI0S2
 EMI0S3 AA11 EMI0S3
 EMI0S4 AB12 EMI0S4
 EMI0S5 AA12 EMI0S5
 EMI0S6 Y12 EMI0S6
 EMI0S7 AB13 EMI0S7
 EMI0S8 W13 EMI0S8
 EMI0S9 AA13 EMI0S9
 EMI0S10 Y13 EMI0S10
 EMI0S11 AB14 EMI0S11
 EMI0S12 W15 EMI0S12
 EMI0S13 AA14 EMI0S13
 EMI0S14 AB15 EMI0S14
 EMI0S15 Y14 EMI0S15
 EMI0S16 AA15 EMI0S16
 EMI0S17 Y15 EMI0S17
 EMI0S18 AB16 EMI0S18
 EMI0S19 AA16 EMI0S19
 EMI0S20 AB17 EMI0S20
 EMI0S21 W16 EMI0S21
 EMI0S22 Y16 EMI0S22
 EMI0S23 AA17 EMI0S23

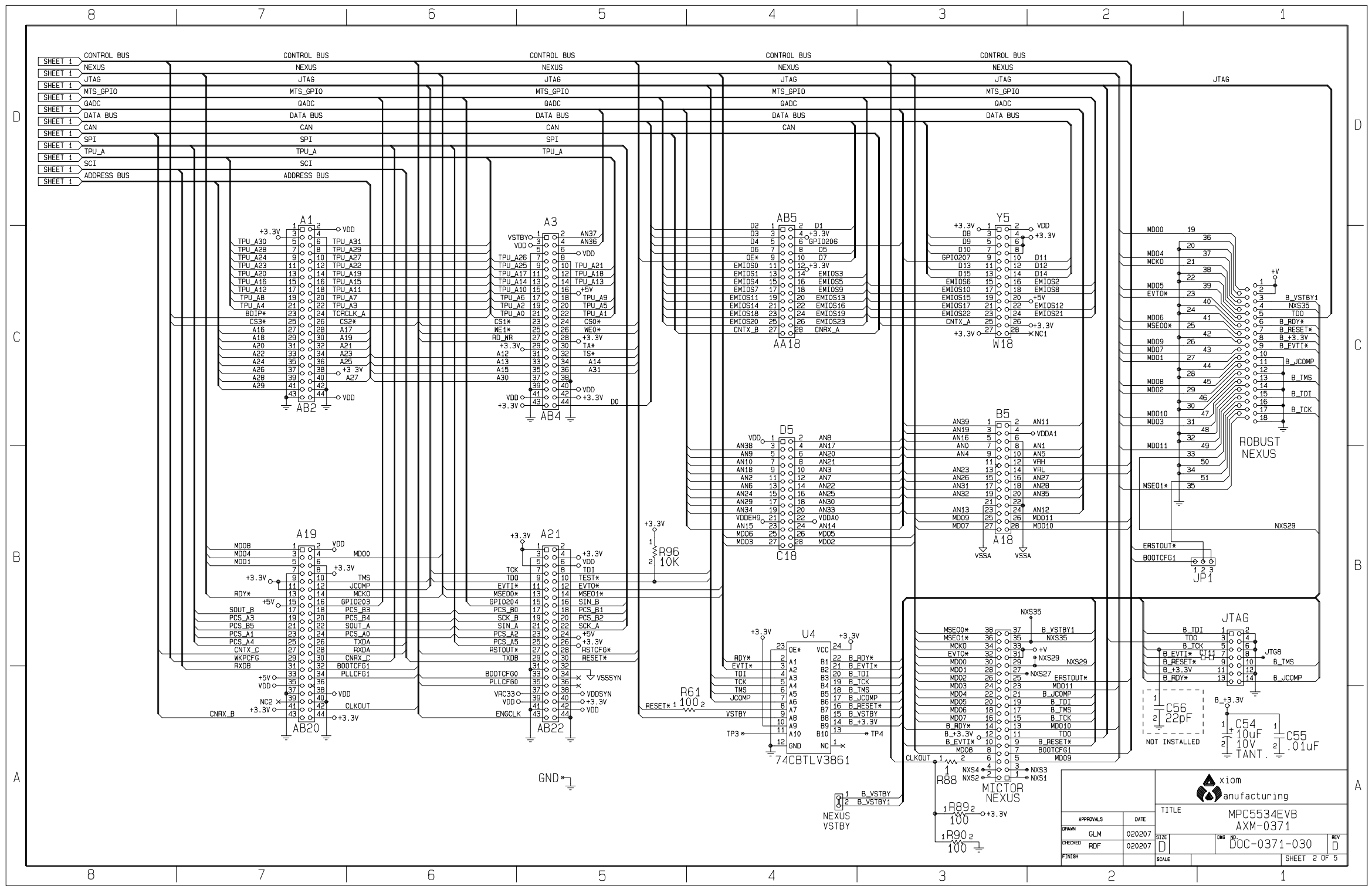
GPI0203 H20 GPI0203
 GPI0204 H21 GPI0204
 GPI0206 AA7 GPI0206
 GPI0207 Y9 GPI0207

ADDRESS BUS
 DATA BUS
 SPI
 SCI
 CAN
 CONTROL BUS

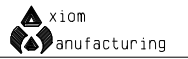


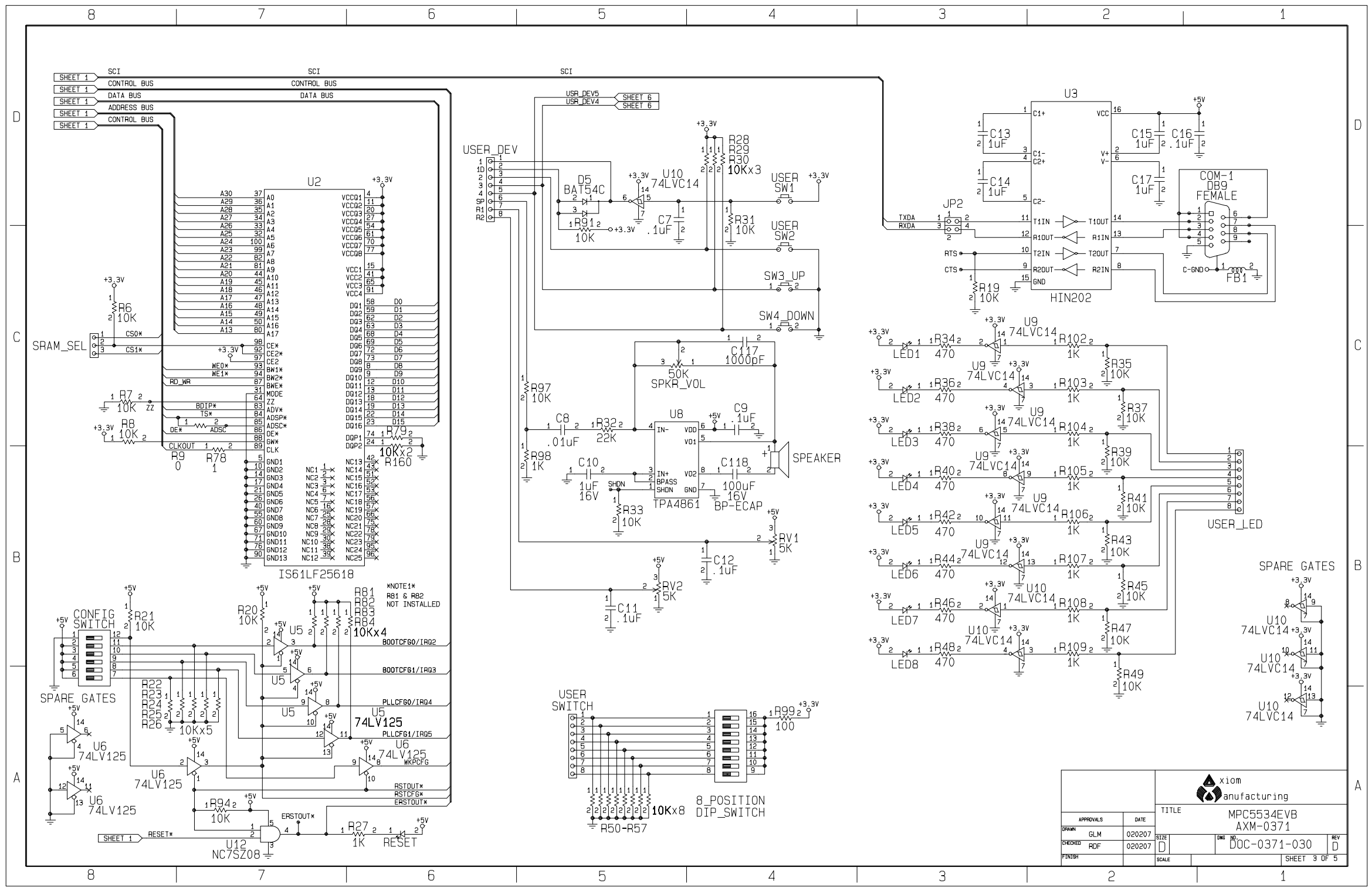
APPROVALS		DATE		TITLE	
DRAWN GLM		020207		MPC5534EVB AXM-0371	
CHECKED RDF		020207		SIZE	DWG NO.
FINISH		SCALE	REV	DOC-0371-030	SHEET 1 OF 5

NOTE1: NOT INSTALLED

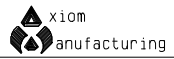


APPROVALS		DATE		TITLE	
DRAWN	GLM	020207	SIZE	MPC5534EVb AXM-0371	
CHECKED	RDF	020207	DWG NO.	DOC-0371-030	REV D
FINISH			SCALE	SHEET 2 OF 5	

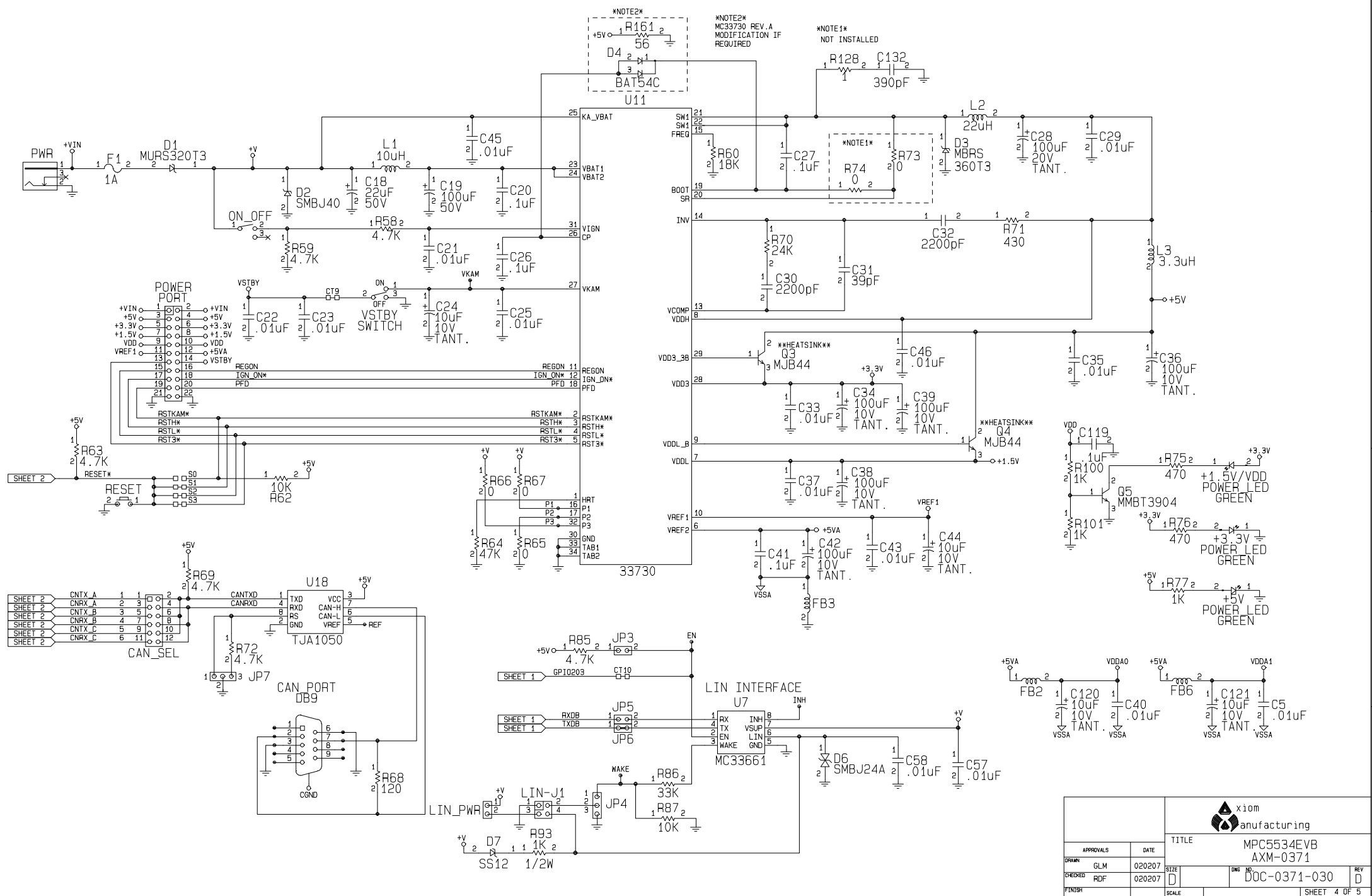




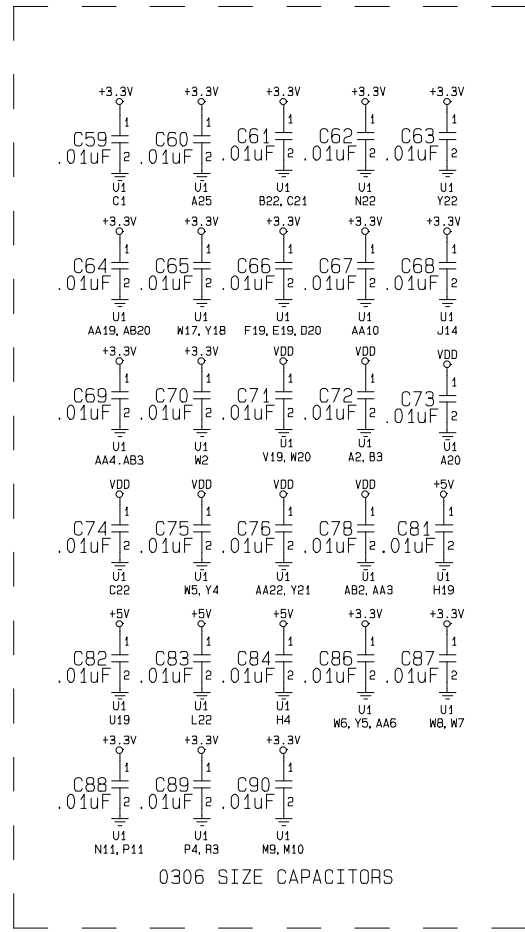
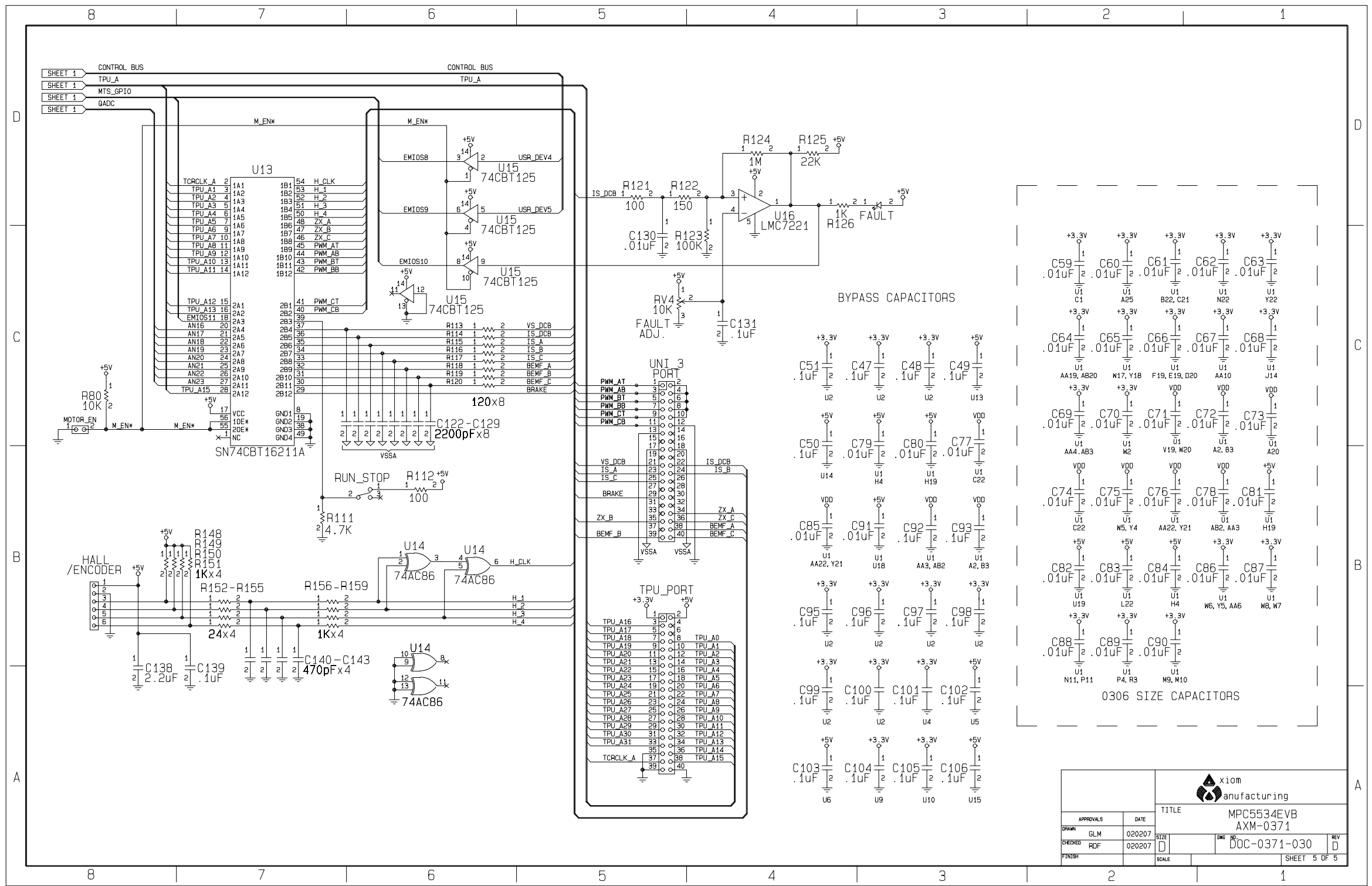
APPROVALS		DATE	TITLE	
GLM	RDF	020207	MPC5534EVB AXM-0371	
FINISH	SCALE	020207	SIZE	REV D
			DOC NO.	SHEET 3 OF 5
			DOC-0371-030	



D
C
B
A



APPROVALS		DATE	TITLE	
GLM	RDF	020207	MPC5534EVb AXM-0371	
CHECKED	FINISH	020207	SIZE	DWG NO.
				DOC-0371-030
SCALE			REV	
			D	
			SHEET 4 OF 5	



APPROVALS		DATE	TITLE		
DRWN	GLM	020207	MPC5534EVb AXM-0371		
CHECKED	RDF	020207	SIZE	DWG NO.	REV
FINISH			D	DOC-0371-030	D
SCALE				SHEET 5 OF 5	