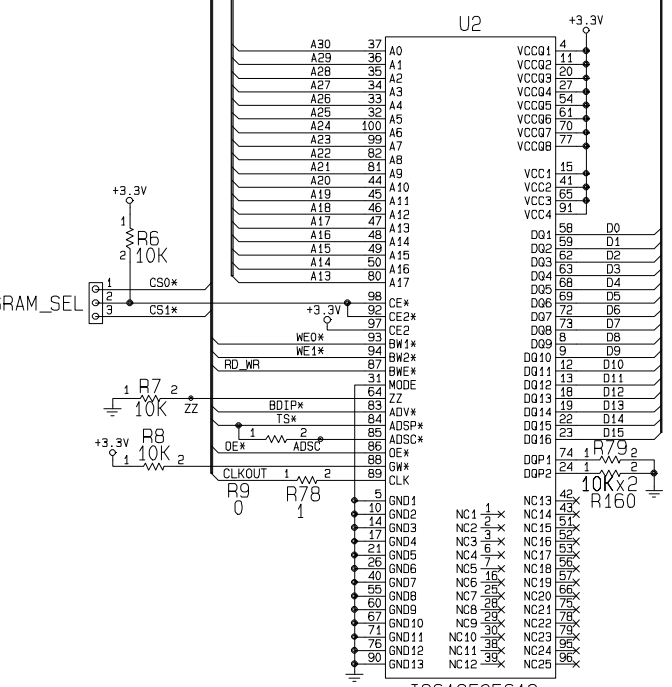
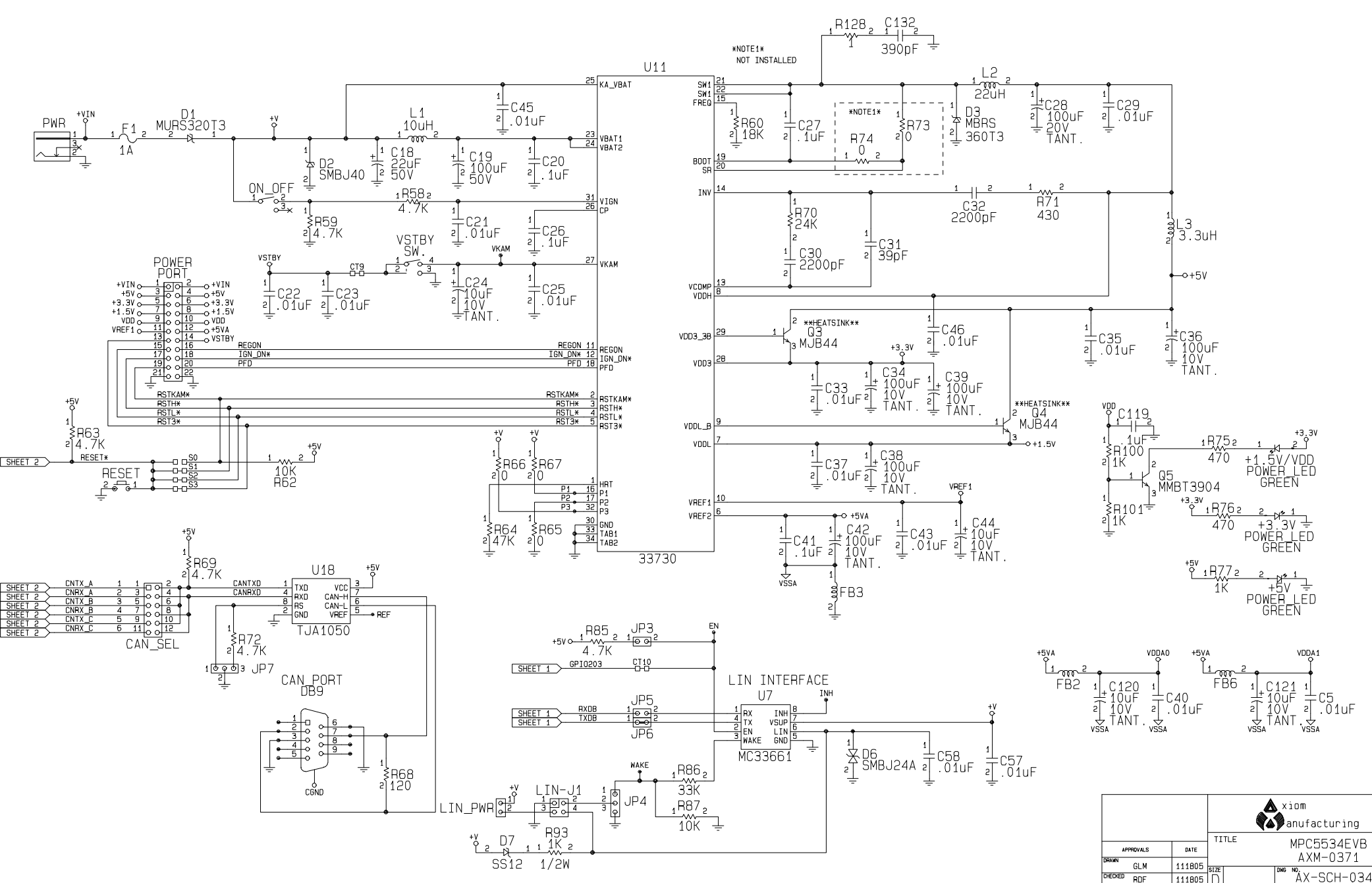


APPROVALS		DATE	TITLE	
DRAWN	GLM	111805	MPC5534EVb AXM-0371	
CHECKED	RDF	111805	SIZE	DWG. NO.
FINISH			SCALE	AX-SCH-0343
				REV
				B
				SHEET 2 OF 5

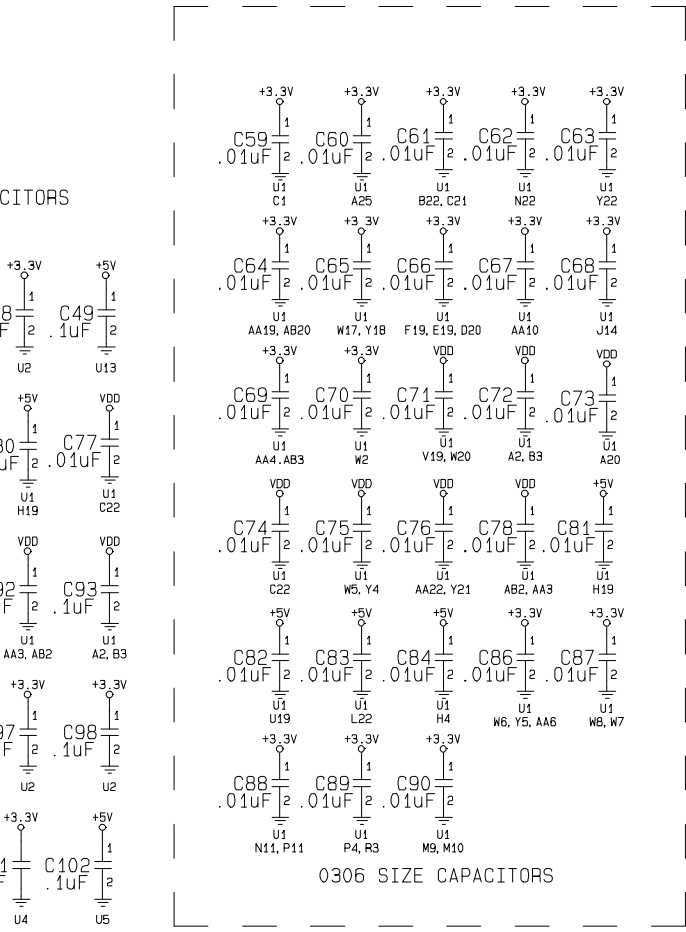
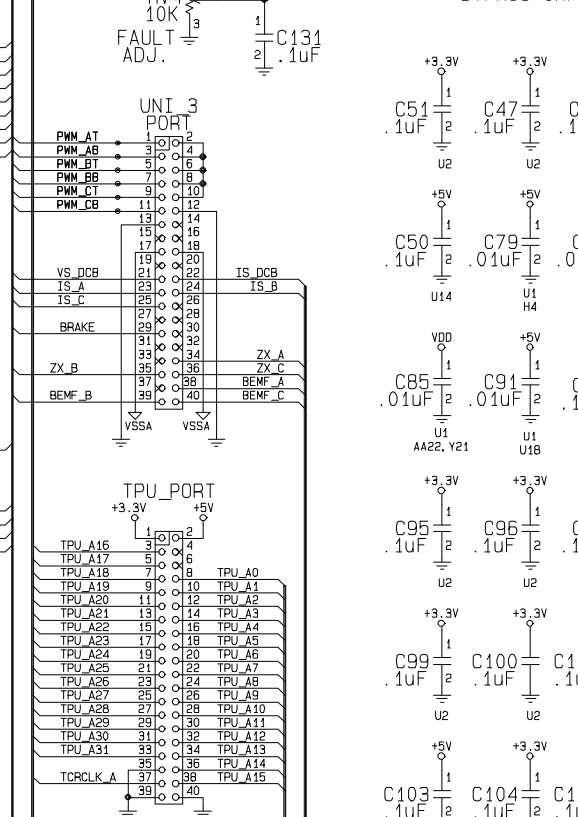
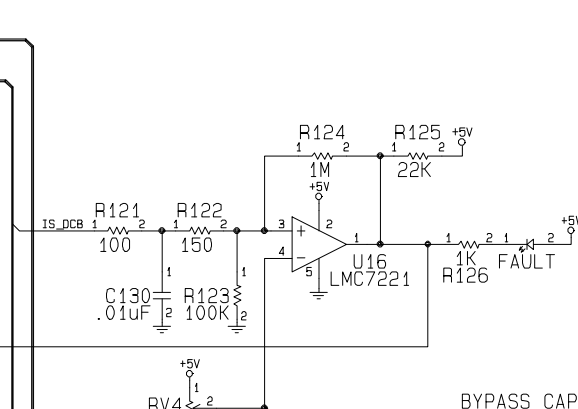
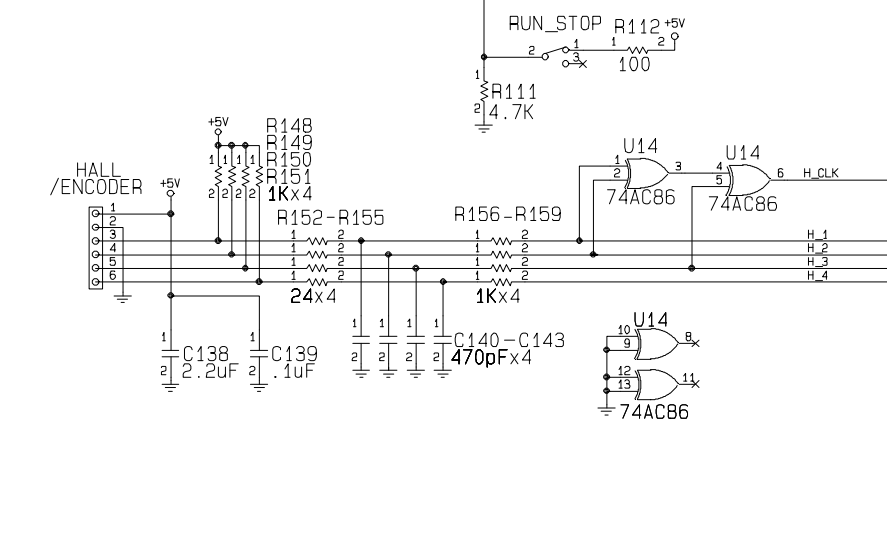
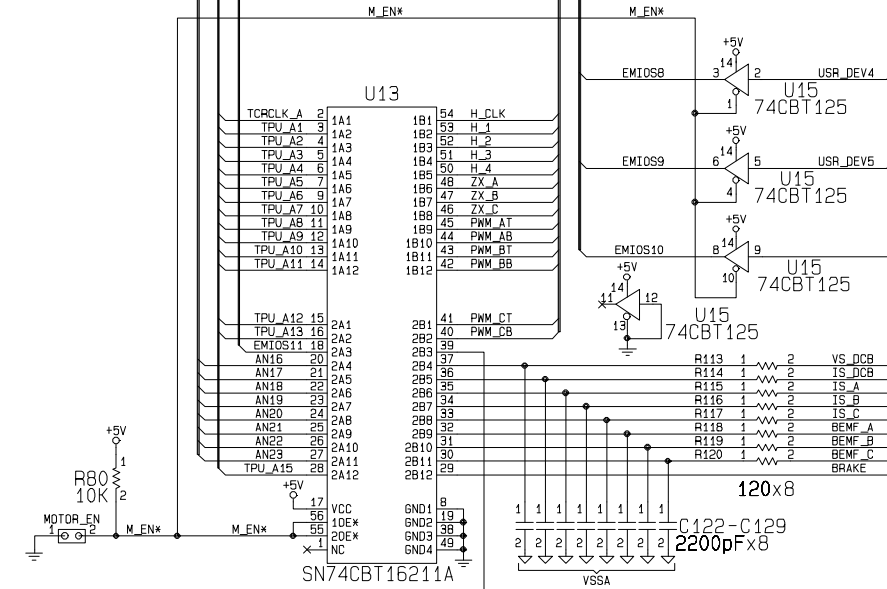
SHEET 1 SCI
 SHEET 1 CONTROL BUS
 SHEET 1 DATA BUS
 SHEET 1 ADDRESS BUS
 SHEET 1 CONTROL BUS





APPROVALS		DATE	TITLE	
DRAWN	GLM	111805	MPC5534EVb AXM-0371	
CHECKED	RDF	111805	SIZE	D
FINISH			DWG. NO.	AX-SCH-0343
			SCALE	
			REV	B
			SHEET 4 OF 5	

SHEET 1 CONTROL BUS
 SHEET 1 TPU_A
 SHEET 1 MTS_GPID
 SHEET 1 GADC



APPROVALS		DATE	TITLE	
DRAWN	GLM	111805	MPC5534EVb AXM-0371	
CHECKED	RDF	111805	SIZE	DWG. NO.
FINISH			SCALE	REV
				AX-SCH-0343
				SHEET 5 OF 5