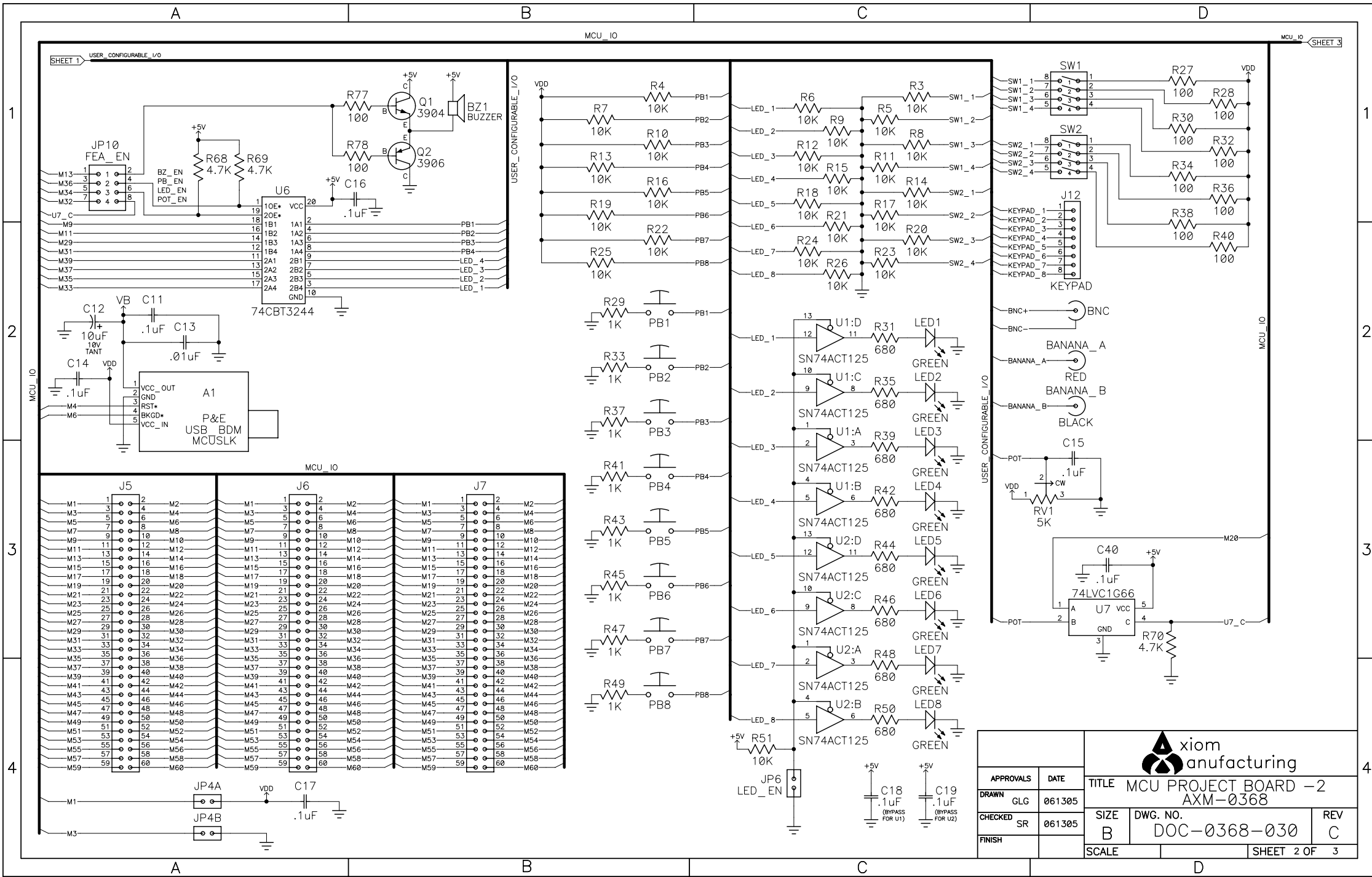


APPROVALS		DATE	TITLE	
DRAWN	GLG	061305	MCU PROJECT BOARD - 2 AXM-0368	
CHECKED	SR	061305	SIZE	DWG. NO.
FINISH			B	DOC-0368-030
			SCALE	REV
				C
			SHEET 1 OF 3	



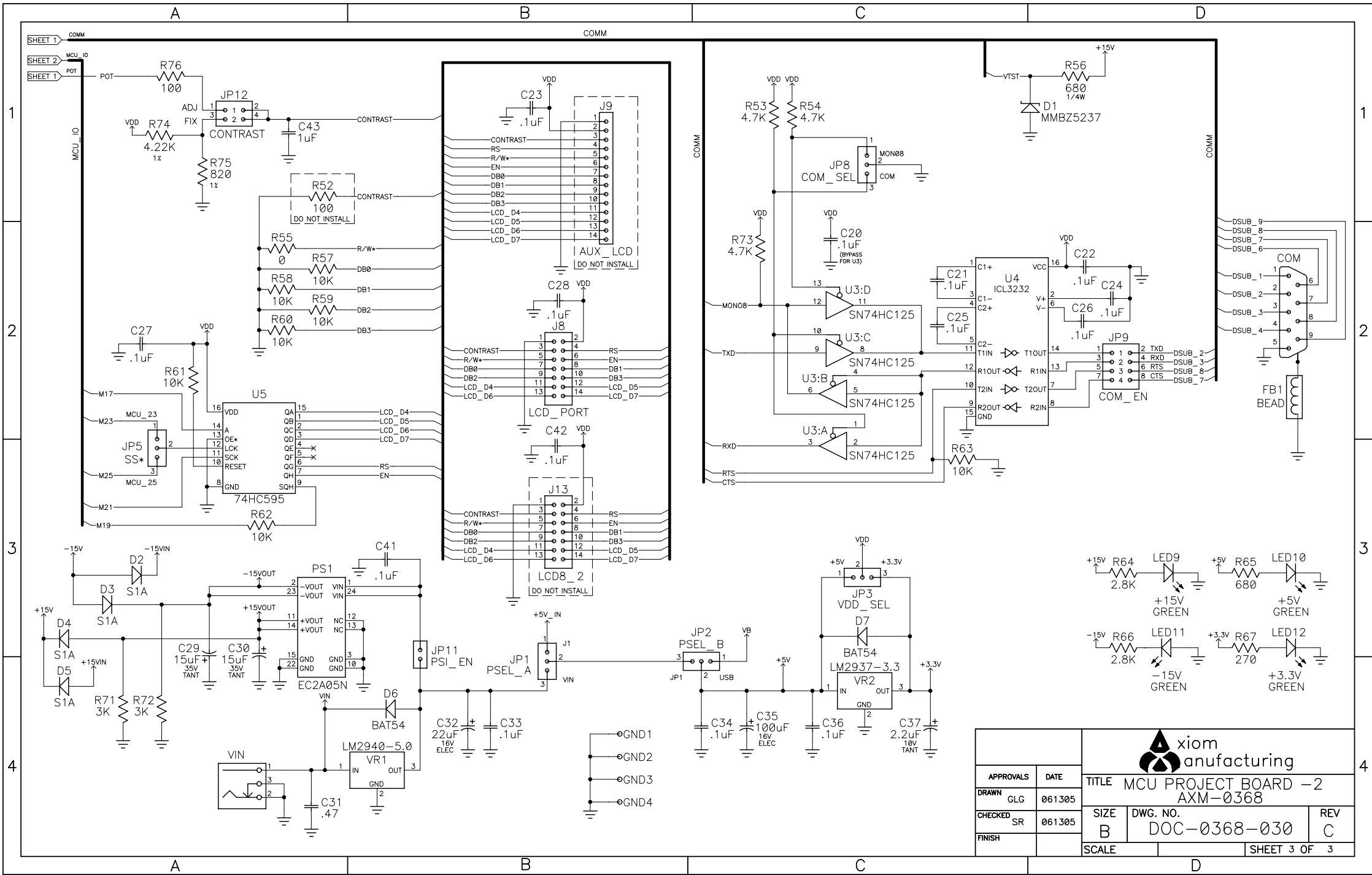


APPROVALS		DATE	TITLE	
DRAWN	GLG	061305	MCU PROJECT BOARD -2	
CHECKED	SR	061305	SIZE	DWG. NO.
FINISH			B	DOC-0368-030
SCALE				REV
				C
			SHEET 2 OF	3



xiom  
manufacturing

AXM-0368



		TITLE		
		MCU PROJECT BOARD -2 AXM-0368		
APPROVALS	DATE	SIZE	DWG. NO.	REV
DRAWN	GLG	061305	B	DOC-0368-030
CHECKED	SR	061305		C
FINISH				
SCALE		SHEET 3 OF 3		