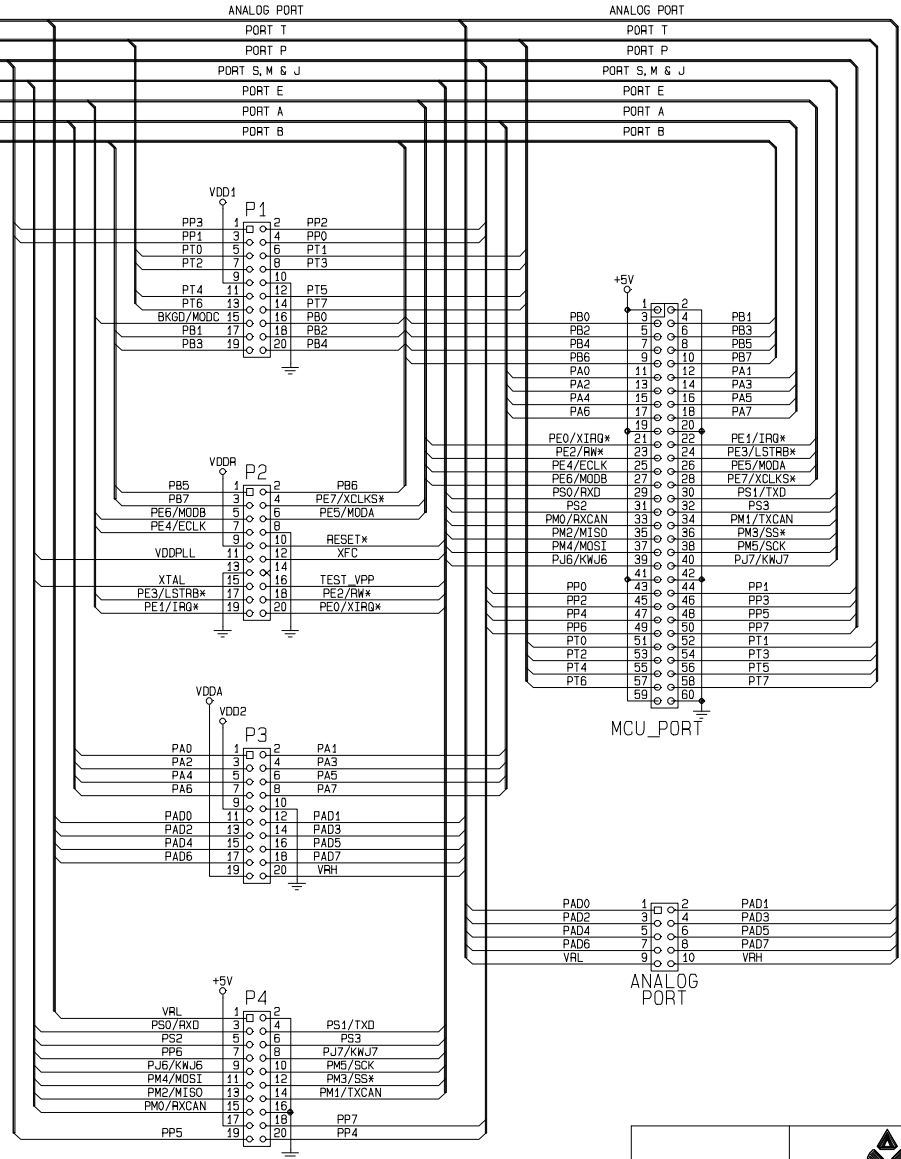
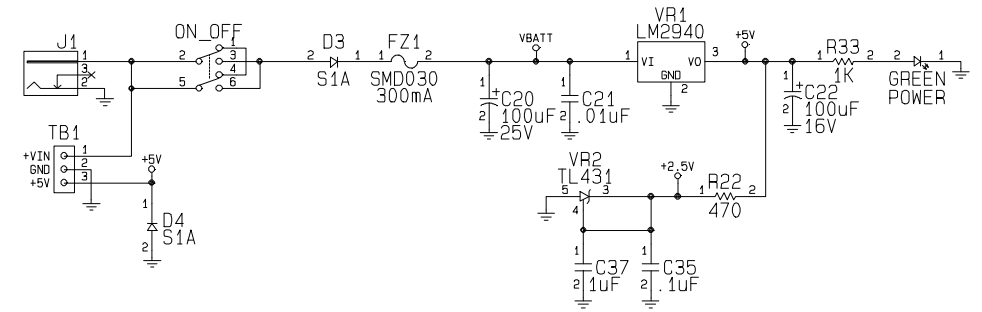
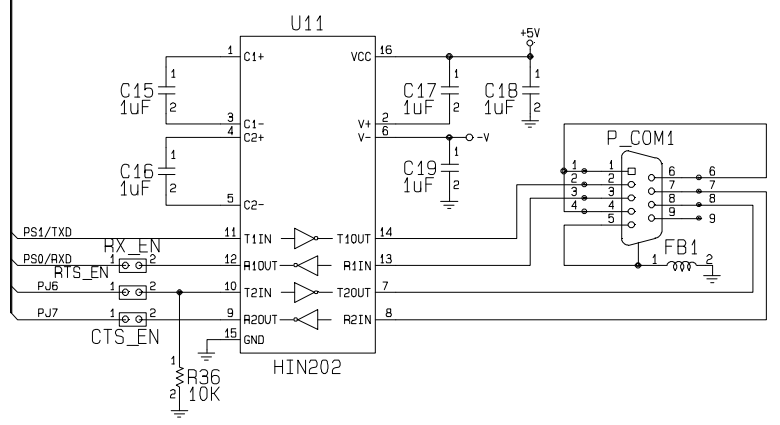
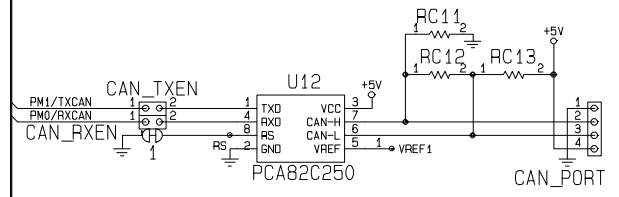
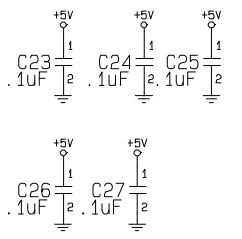


NOTE1:
COMPONENT NOT INSTALLED

APPROVALS		DATE	TITLE	
DRWN	GLM	032703	M68EVB9S12C32 AXM-0303	
CHECKED	RDF	032703	SIZE	DWG. NO.
FINISH			SCALE	AX-SCH-0286
				REV C
				SHEET 1 OF 2

- SHEET 1 ANALOG PORT
- SHEET 1 PORT T
- SHEET 1 PORT P
- SHEET 1 PORT S, M & J
- SHEET 1 PORT E
- SHEET 1 PORT A
- SHEET 1 PORT B

BYPASS CAPACITORS



APPROVALS		DATE		TITLE	
DRWN	GLM	032703		M8EBV9S12C32 AXM-0303	
CHECKED	PDF	032703	SIZE	DWG NO.	AX-SCH-0286
FINISH			SCALE		SHEET 2 OF 2