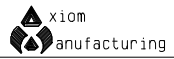


APPROVALS		DATE	TITLE	
DRWN	GLM	010307	M52235EVb AXM-0375	
CHECKED	SDR	010307	SIZE	DWG NO.
FINISH			SCALE	REV
				D1
				SHEET 1 OF 3



M52235EVb
AXM-0375

AX-SCH-0342

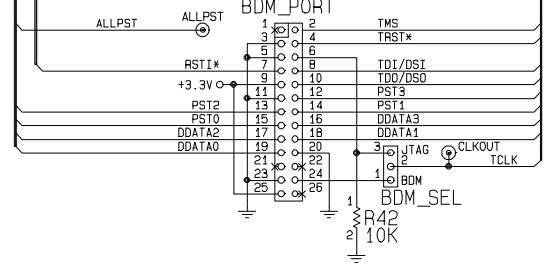
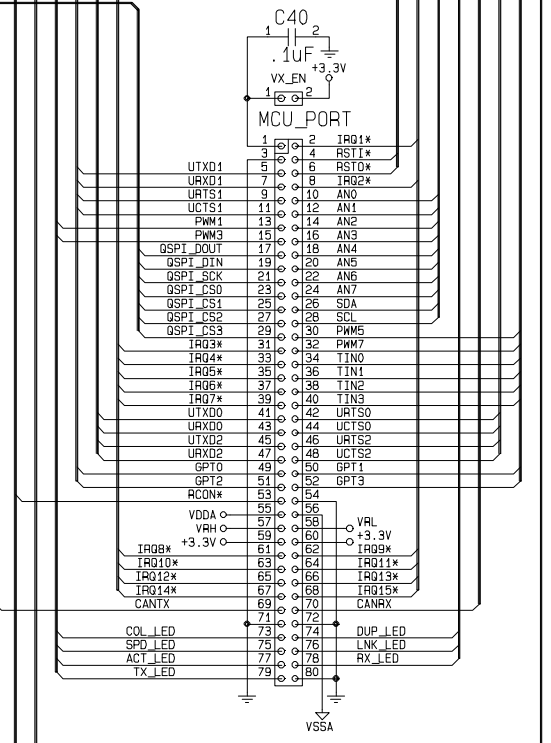
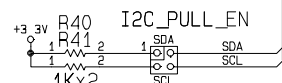
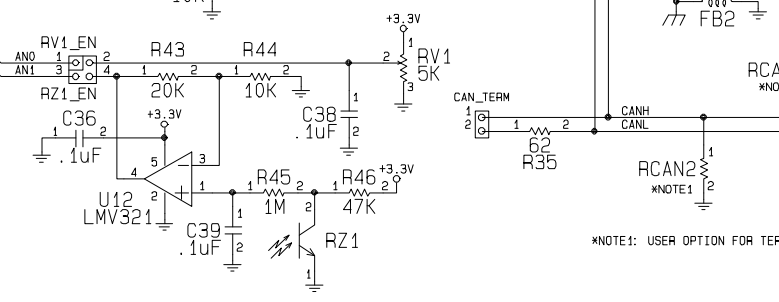
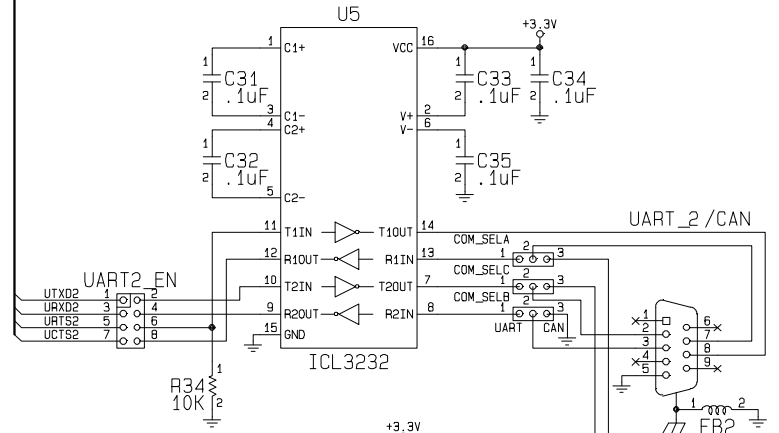
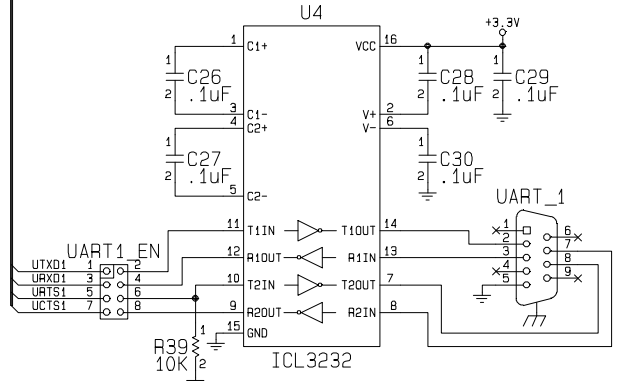
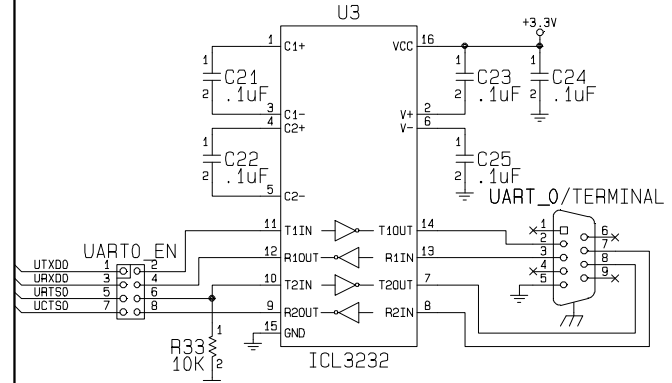
SHEET 1 OF 3

SHEET 1	DEBUG
SHEET 1	TIMER
SHEET 1	COMM
SHEET 1	CAN
SHEET 1	ETHERNET
SHEET 1	ADC
SHEET 1	INTERRUPT
SHEET 1	RESET
SHEET 1	QSPI

DEBUG
TIMER
COMM
CAN
ETHERNET
ADC
INTERRUPT
RESET
QSPI

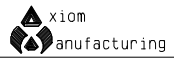
DEBUG
TIMER
COMM
CAN
ETHERNET
ADC
INTERRUPT
RESET
QSPI

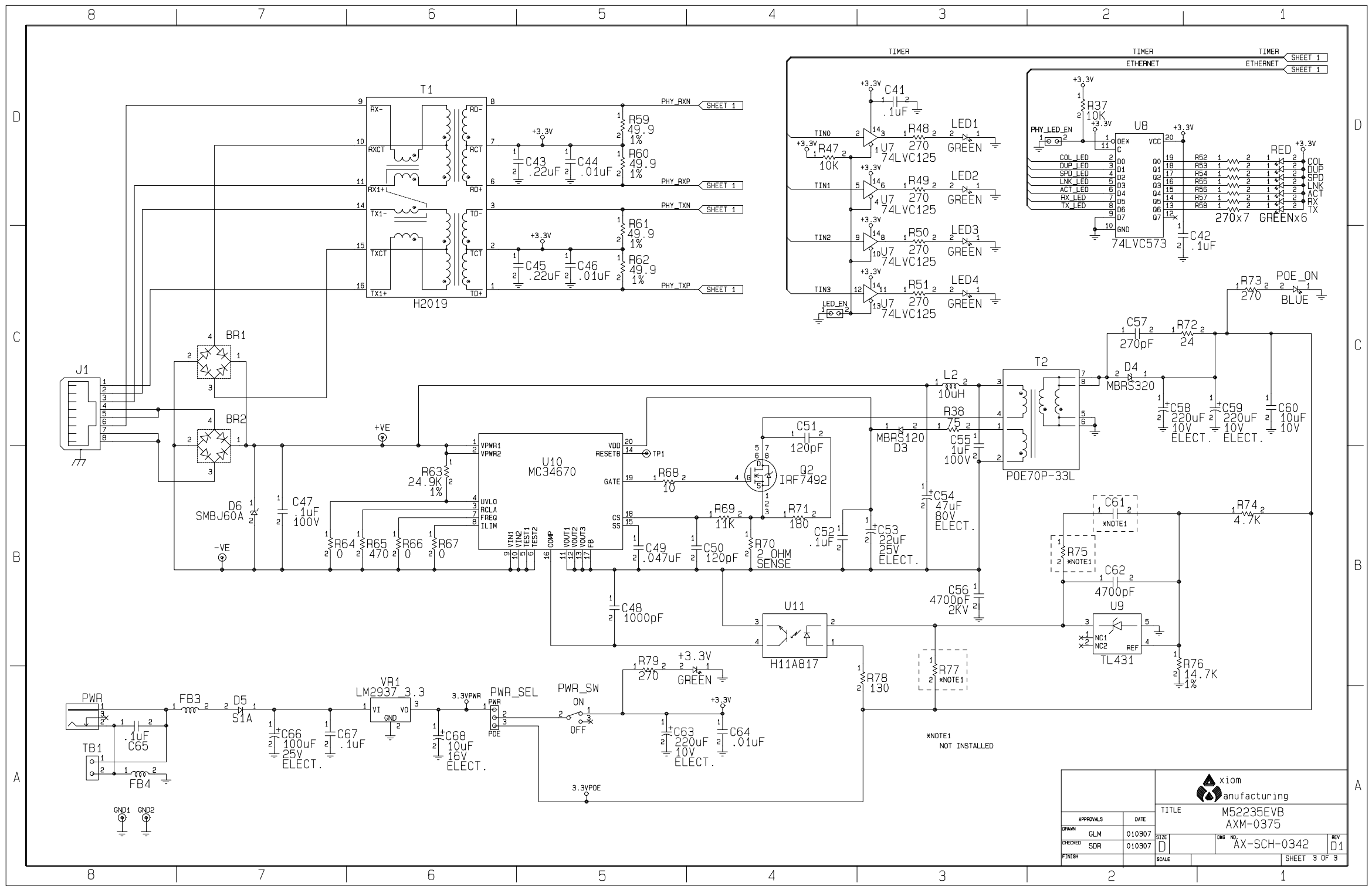
DEBUG
TIMER
COMM
CAN
ETHERNET
ADC
INTERRUPT
RESET
QSPI



*NOTE1: USER OPTION FOR TERMINATION

APPROVALS		DATE		TITLE	
DRWN	GLM	010307		M52235EVB	
CHECKED	SDR	010307		AXM-0375	
FINISH				SIZE	DWG NO.
				SCALE	AX-SCH-0342
				REV	D1
				SHEET 2 OF 3	





APPROVALS		DATE	TITLE	
DRWN	GLM	010307	M52235VB AXM-0375	
CHECKED	SDR	010307	SIZE	DWG NO.
FINISH			SCALE	AX-SCH-0342
				REV
				D1
				SHEET 3 OF 3