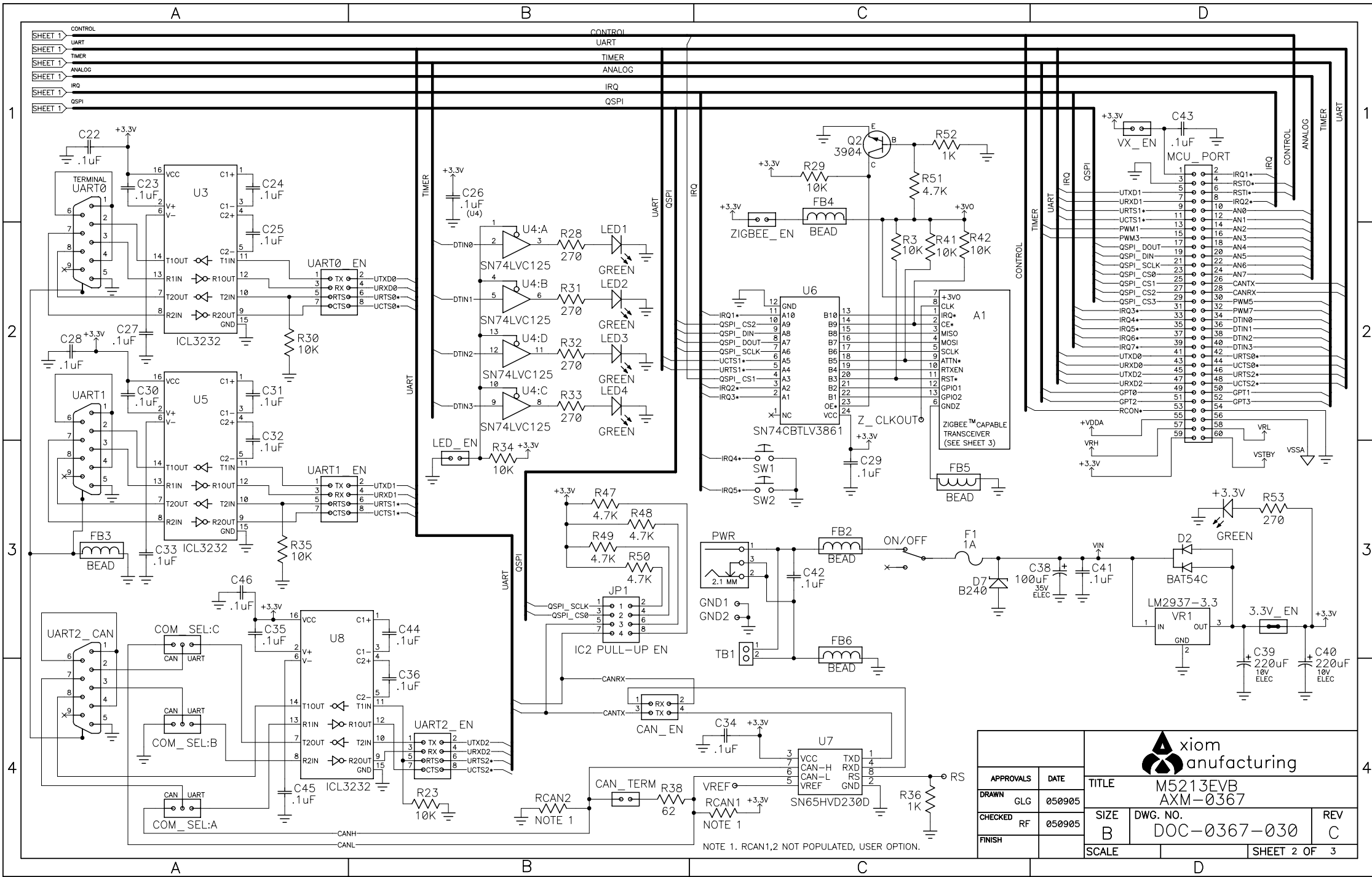

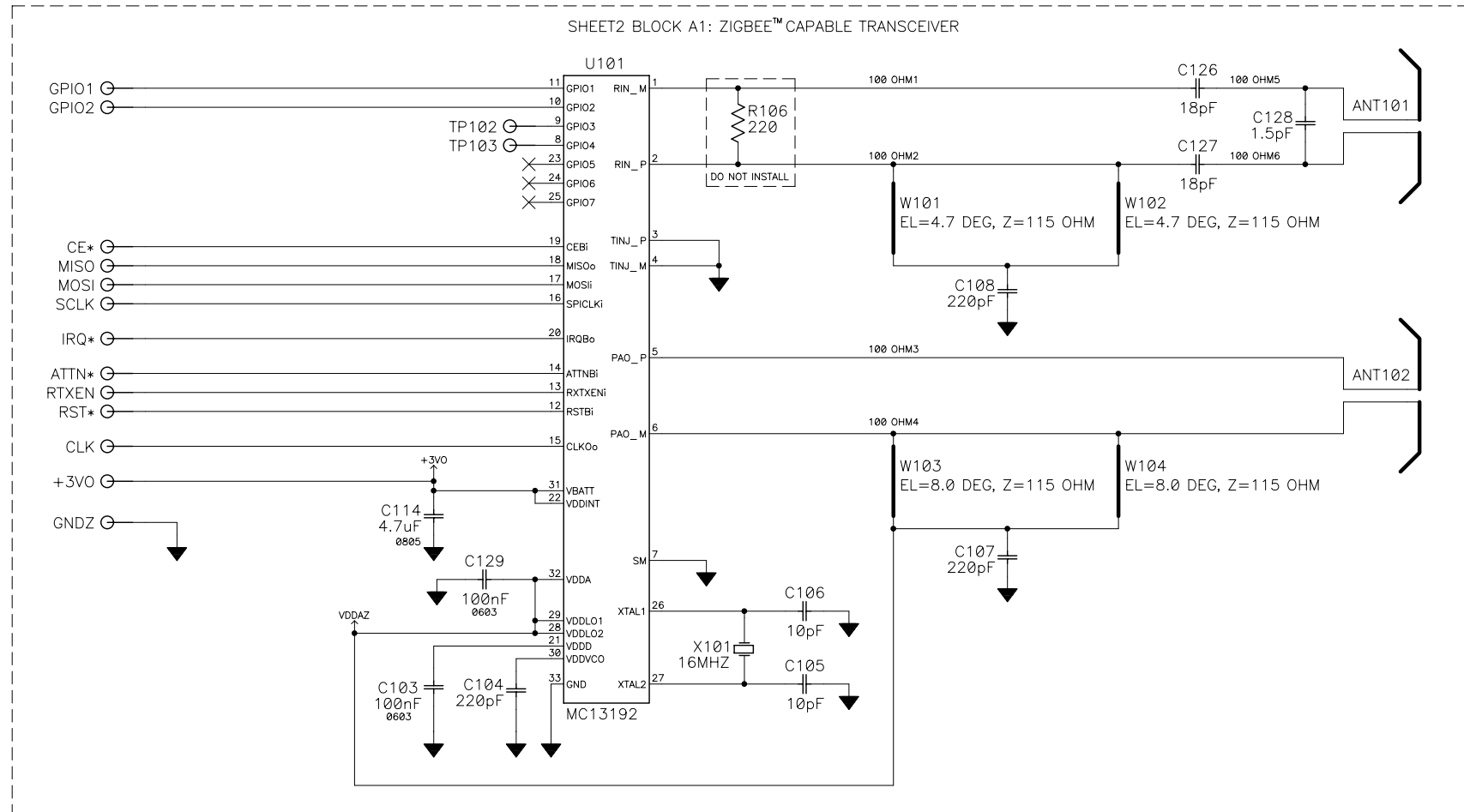


		TITLE		M5213EVB	
		DWG. NO.		AXM-0367	
APPROVALS	DATE	SIZE	REV	SHEET 1 OF 3	
DRAWN	GLG	050905	B	DOC-0367-030	C
CHECKED	RF	050905			
FINISH					



APPROVALS		DATE	 <b>M5213EV B</b> <b>AXM-0367</b>		REV
DRAWN		050905			
CHECKED		RF	050905	B	DOC-0367-030
FINISH					C
SCALE			SHEET 2 OF 3		

NOTE 1. RCAN1,2 NOT POPULATED, USER OPTION.



APPROVALS	DATE	TITLE		
DRAWN	GLG	M5213EVB AXM-0367		
CHECKED	RF	SIZE	DWG. NO.	REV
FINISH		B	DOC-0367-030	C
		SCALE	SHEET 3 OF 3	