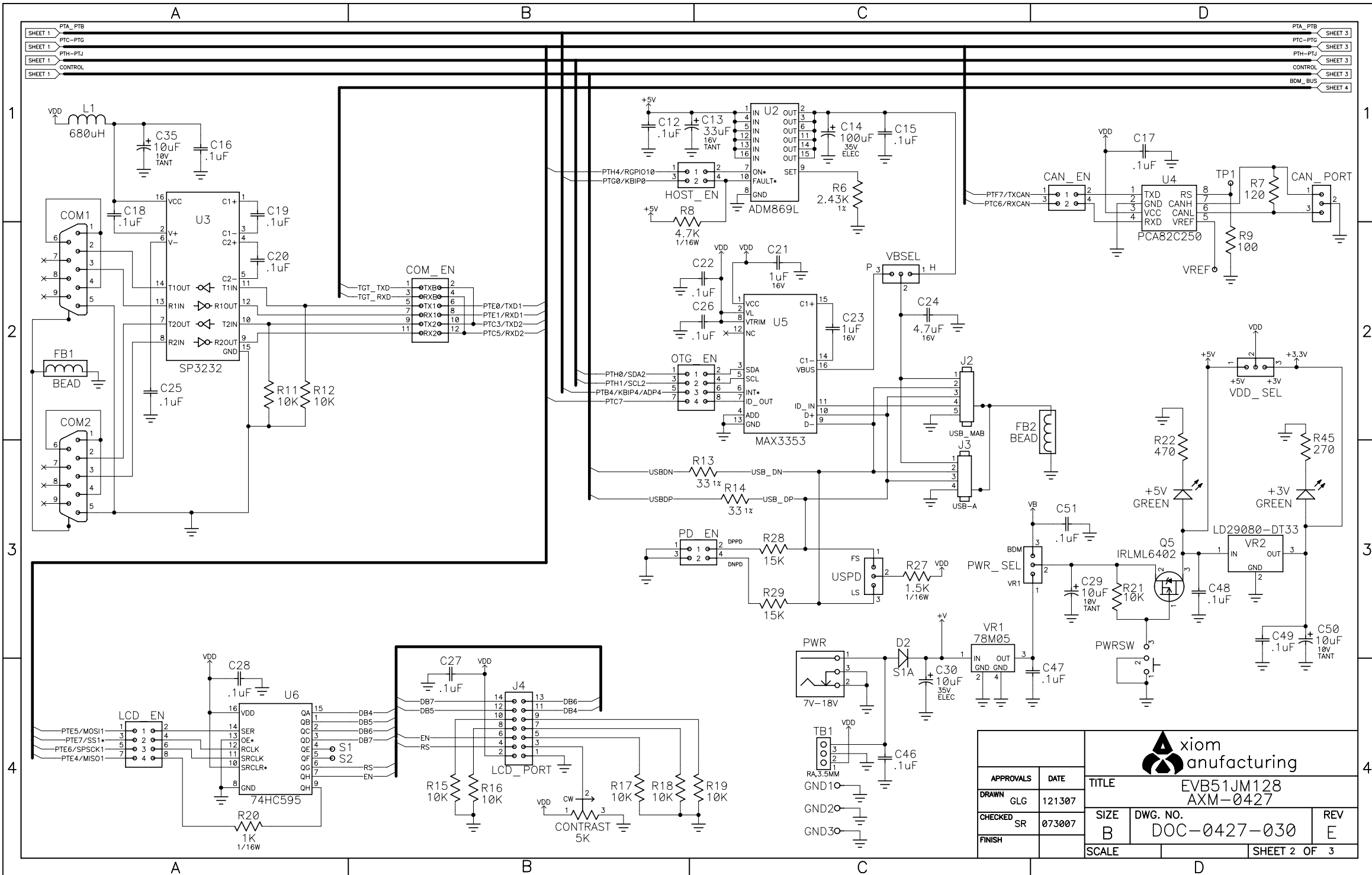


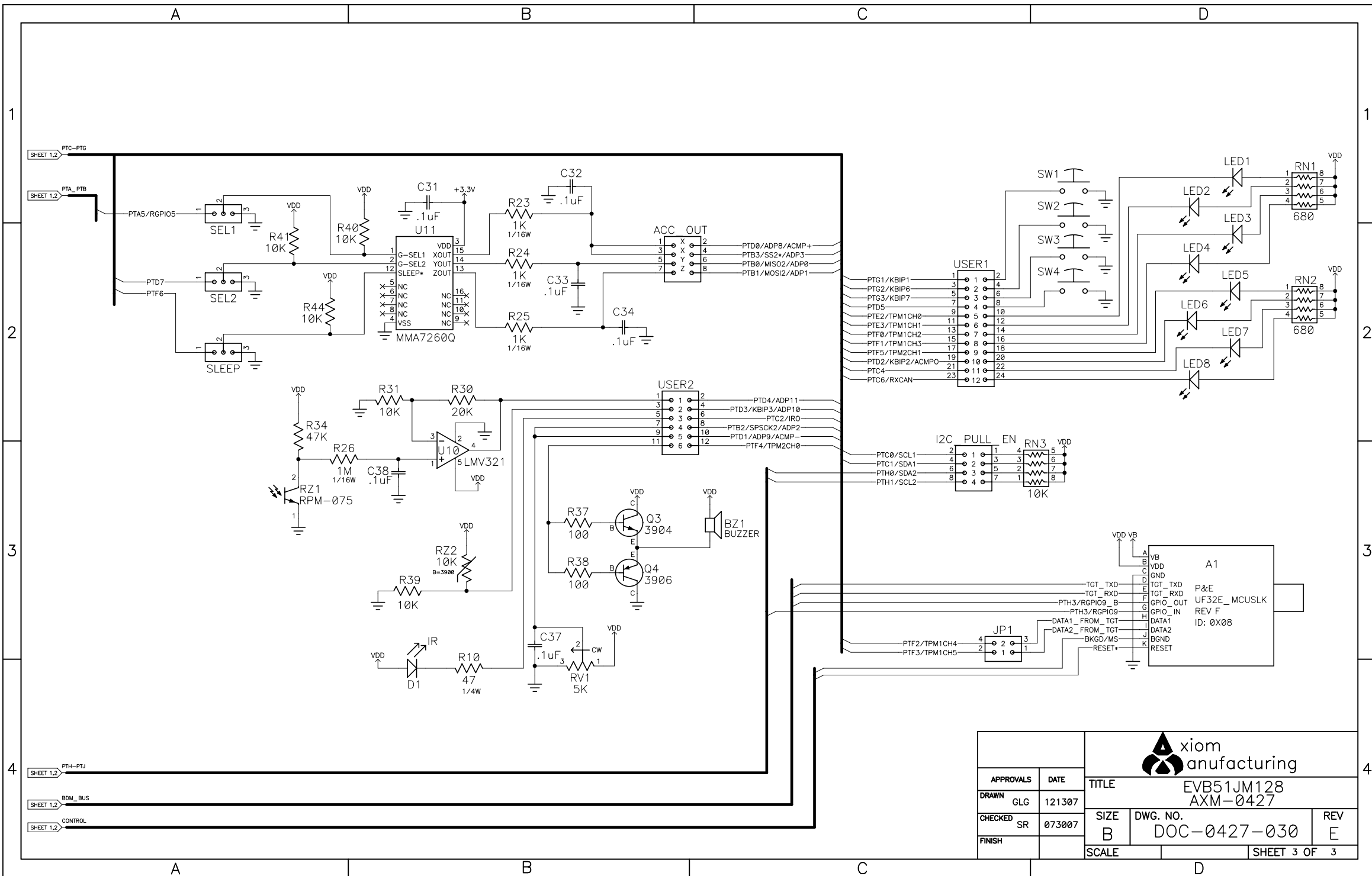
APPROVALS		DATE	TITLE	
DRAWN	GLG	121307	EVB51JM128 AXM-0427	
CHECKED	SR	073007	SIZE	DWG. NO.
FINISH			B	DOC-0427-030
			SCALE	REV
				E
				SHEET 1 OF 3






APPROVALS		DATE	TITLE	
DRAWN		121307	EVB51JM128 AXM-0427	
CHECKED		073007	SIZE	REV
FINISH			B	E
			DWG. NO.	
			DOC-0427-030	
			SCALE	SHEET 2 OF 3





APPROVALS		DATE		 TITLE EVB51JM128 AXM-0427	
DRAWN		121307			
CHECKED		073007		SIZE	DWG. NO. DOC-0427-030
FINISH				REV	
SCALE				SHEET 3 OF 3	