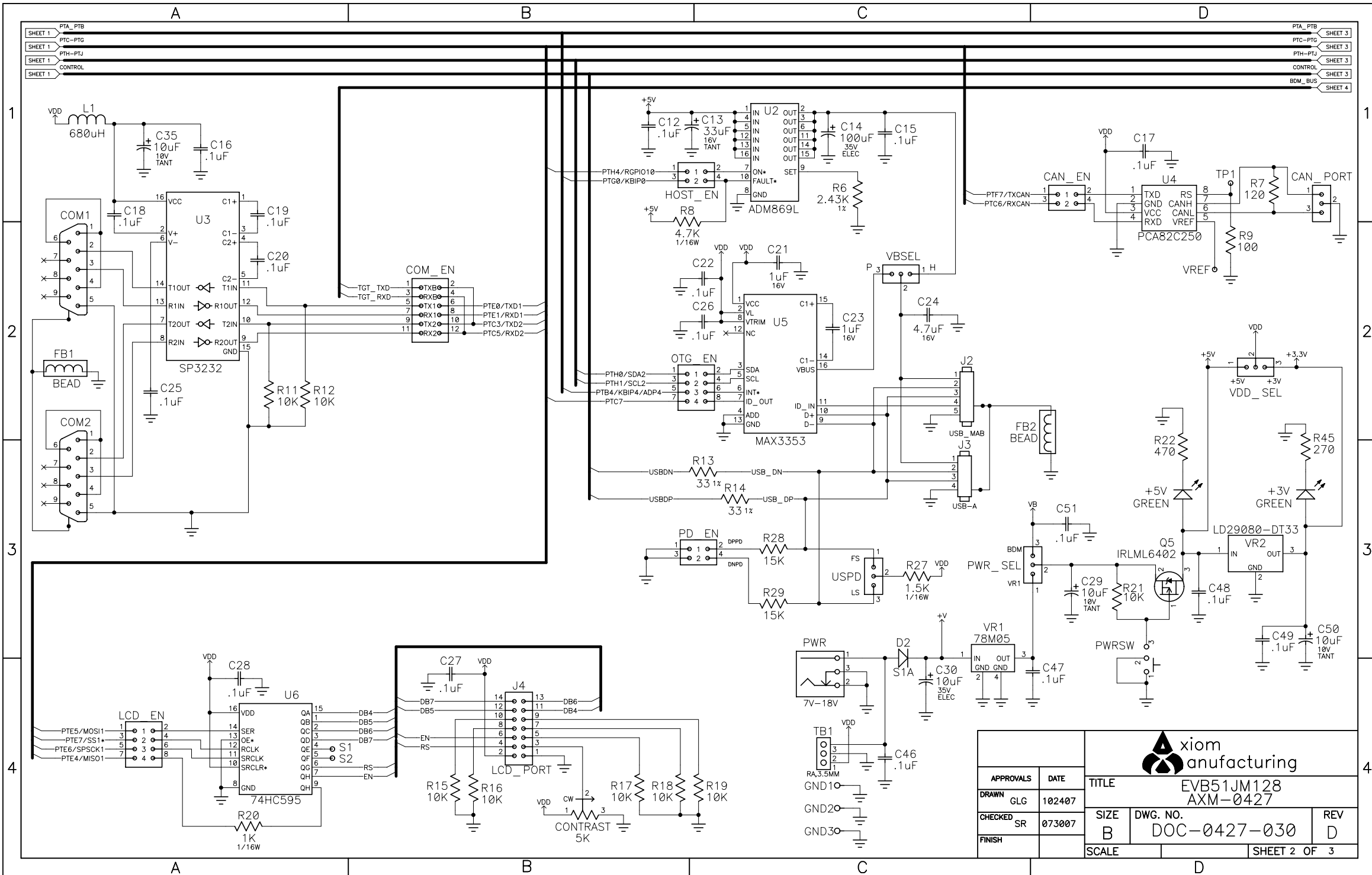


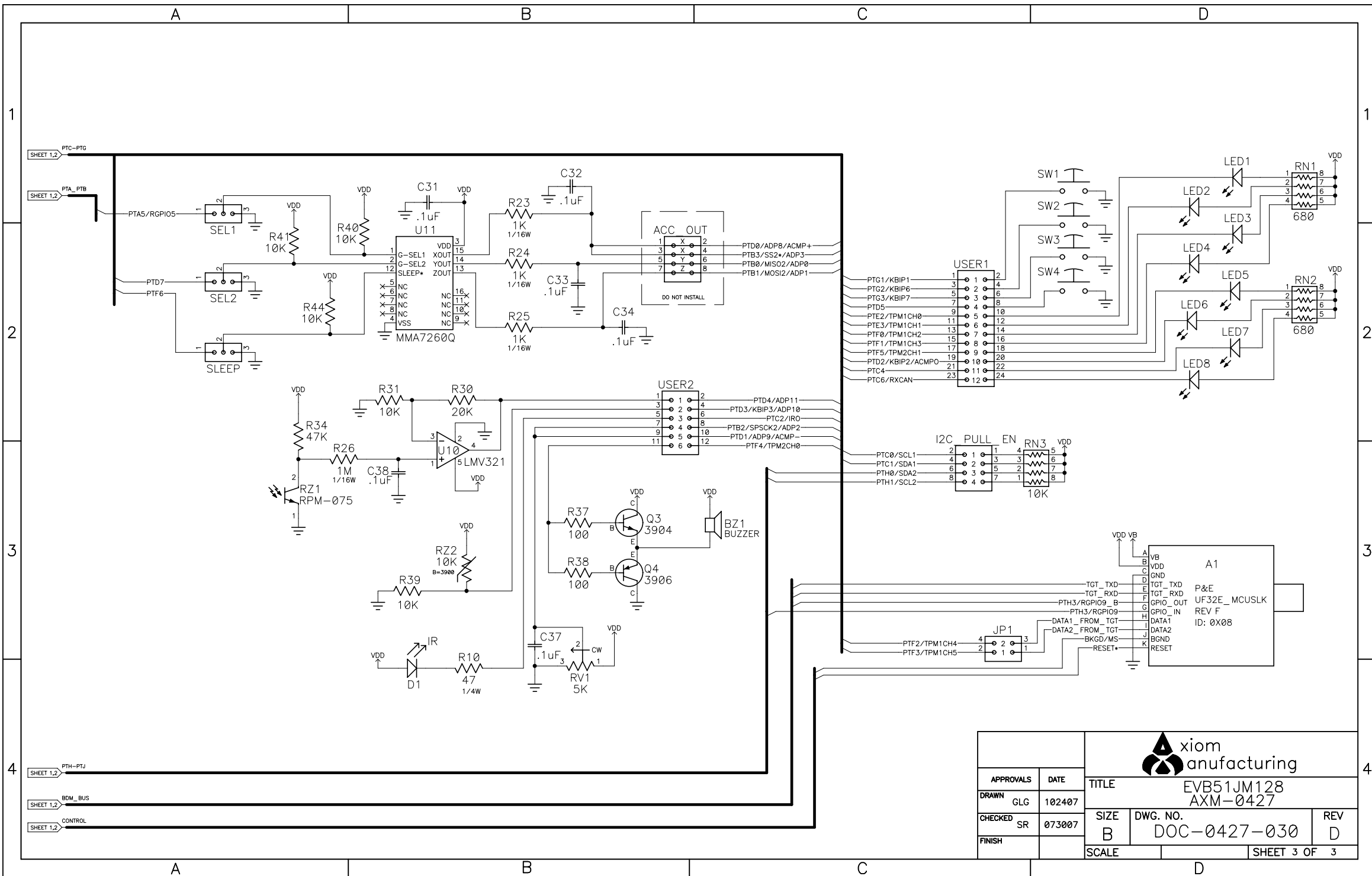
PTB0/MISO2/ADP0	42	PTB0/MISO2/ADP0	42	PTH0/SDA2	18	PTD0/ADP8/ACMP+	37	PTH0/SDA2	62
PTB1/MOSI2/ADP1	43	PTB1/MOSI2/ADP1	43	PTH1/SCL2	19	PTD1/ADP9/ACMP-	38	PTH1/SCL2	63
PTB2/SPSCK2/ADP2	44	PTB2/SPSCK2/ADP2	44	PTH2/RGPIO8	20	PTD2/KBIP2/ACMP0	39	PTH2/RGPIO8	64
PTB3/SS2+/ADP3	45	PTB3/SS2+/ADP3	45	PTH3/RGPIO9	21	PTD3/KBIP3/ADP10	40	PTH3/RGPIO9	65
PTB4/KBIP4/ADP4	46	PTB4/KBIP4/ADP4	46	PTH4/RGPIO10	22	PTD4/ADP11	41	PTH4/RGPIO10	66
PTB5/KBIP5/ADP5	47	PTB5/KBIP5/ADP5	47	PTJ0/RGPIO11	57	PTD5	42	PTJ0/RGPIO11	67
PTB6/ADP6	48	PTB6/ADP6	48	PTJ1/RGPIO12	58	PTD6	43	PTJ1/RGPIO12	68
PTB7/ADP7	49	PTB7/ADP7	49	PTJ2/RGPIO13	59	PTD7	44	PTJ2/RGPIO13	69
PTA0/RGPIO0	34	PTA0/RGPIO0	34	PTJ3/RGPIO14	60	PTC2/IR0	45	PTJ3/RGPIO14	70
PTA1/RGPIO1	35	PTA1/RGPIO1	35	PTJ4/RGPIO15	61	PTC4	46	PTJ4/RGPIO15	71
PTA2/RGPIO2	36	PTA2/RGPIO2	36	IRQ/TPMCLK	2	PTC6/RXCAN	47	IRQ/TPMCLK	72
PTA3/RGPIO3	37	PTA3/RGPIO3	37	RESET*	3	PTG4	48	RESET*	73
PTA4/RGPIO4	38	PTA4/RGPIO4	38	BKGD/MS	69	PTG5	49	BKGD/MS	74
PTA5/RGPIO5	39	PTA5/RGPIO5	39	USB0N	29	PTG6	50	USB0N	75
PTA6/RGPIO6	40	PTA6/RGPIO6	40	USB0P	30	PTG7	51	USB0P	76
PTA7/RGPIO7	41	PTA7/RGPIO7	41	VUSB33	31		52	VUSB33	77

APPROVALS		DATE	TITLE	
DRAWN	GLG	102407	EVB51JM128 AXM-0427	
CHECKED	SR	073007	SIZE	DWG. NO.
FINISH			B	DOC-0427-030
SCALE				REV
				D
			SHEET 1 OF 3	





		TITLE		REV
		EVB51JM128		
APPROVALS		DATE	DWG. NO.	SHEET 2 OF 3
DRAWN		102407	DOC-0427-030	
CHECKED		073007		
FINISH				



APPROVALS		DATE		TITLE	
DRAWN		102407		EVB51JM128 AXM-0427	
CHECKED		073007		SIZE	DWG. NO.
FINISH				B	DOC-0427-030
				SCALE	REV
					D
				SHEET 3 OF 3	



P&E  
UF32E\_Mcuslk  
REV F  
ID: 0X08