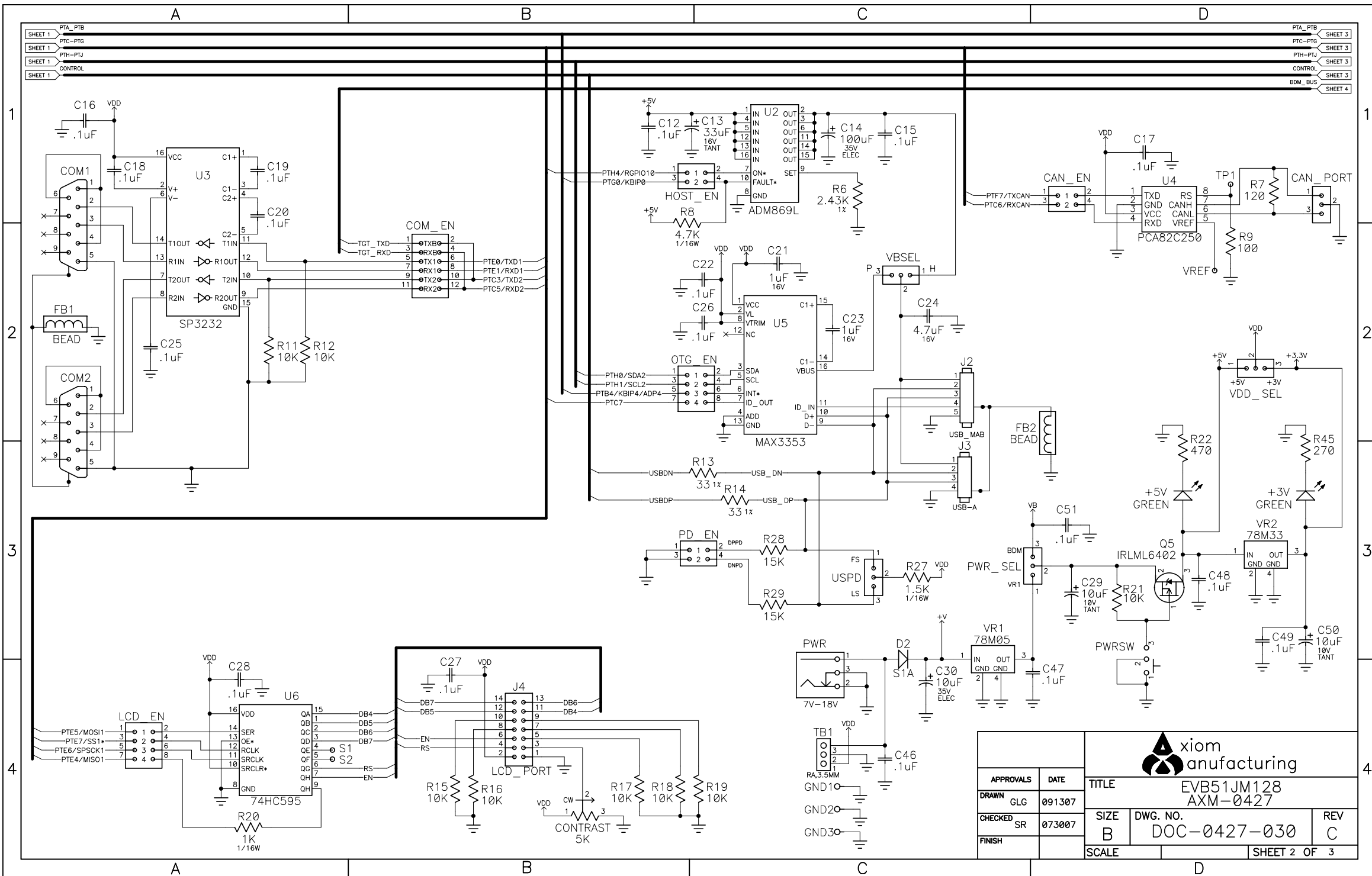
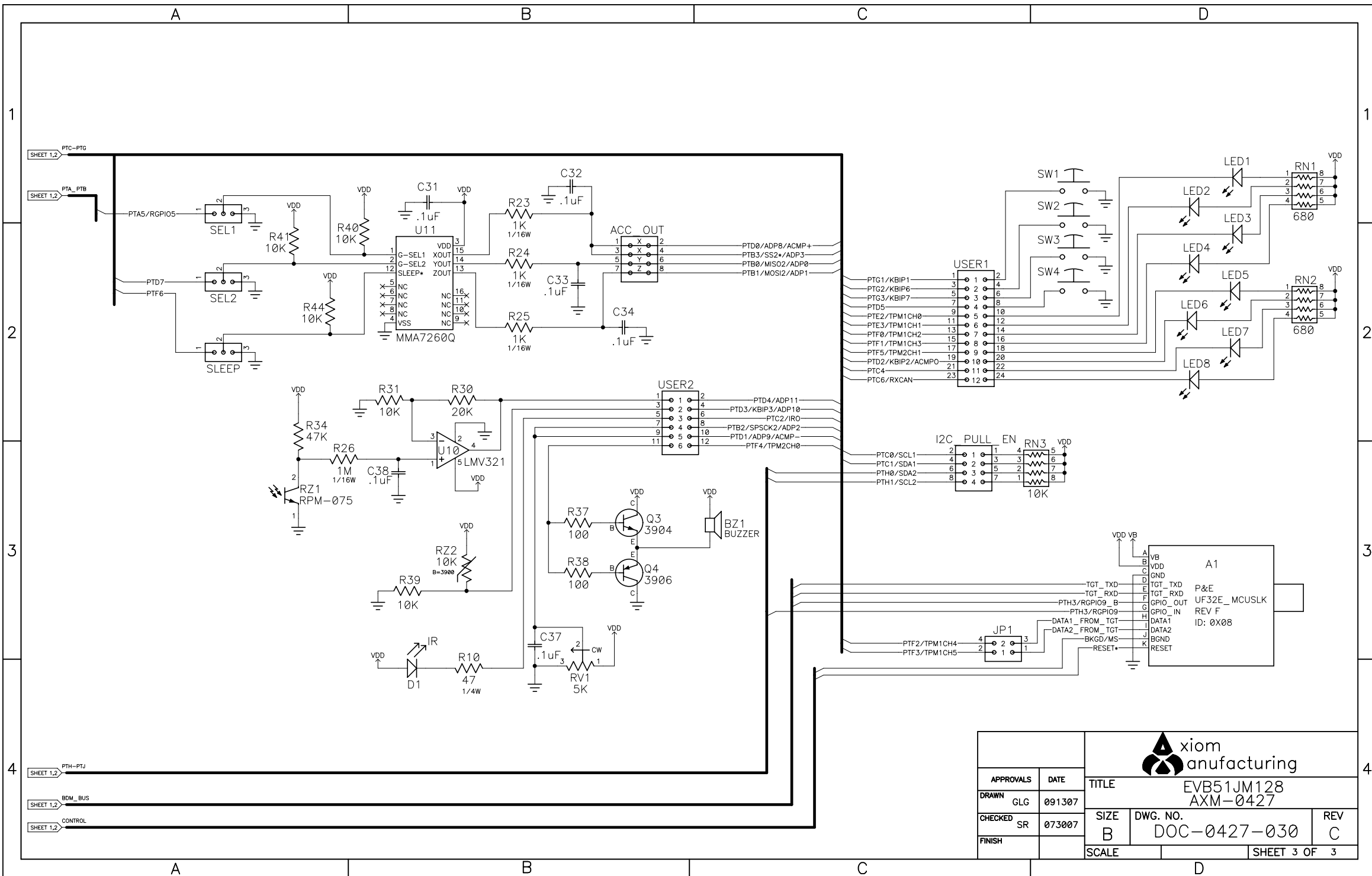


| | | | | |
|-----------|-----|--------|------------------------|--------------|
| APPROVALS | | DATE | TITLE | |
| DRAWN | GLG | 091307 | EVB51JM128 AXM-0427 | |
| CHECKED | SR | 073007 | SIZE | DWG. NO. |
| FINISH | | | B | DOC-0427-030 |
| | | | SCALE | REVISION |
| | | | | C |
| | | | SHEET 1 OF 3 | |





| | | | |
|------------|--------------|----------|--------------|
| | | TITLE | |
| EVB51JM128 | | AXM-0427 | |
| DRAWN | GLG | DATE | 091307 |
| CHECKED | SR | DATE | 073007 |
| FINISH | | SCALE | SHEET 2 OF 3 |
| SIZE | DWG. NO. | REV | C |
| B | DOC-0427-030 | | |



| | | | | |
|-----------|-----|--------|------------------------|--------------|
| APPROVALS | | DATE | TITLE | |
| DRAWN | CLG | 091307 | EVB51JM128 AXM-0427 | |
| CHECKED | SR | 073007 | SIZE | DWG. NO. |
| FINISH | | | B | DOC-0427-030 |
| | | | SCALE | REV |
| | | | | C |
| | | | SHEET 3 OF 3 | |



P&E
UF32E_Mcuslk
REV F
ID: 0X08