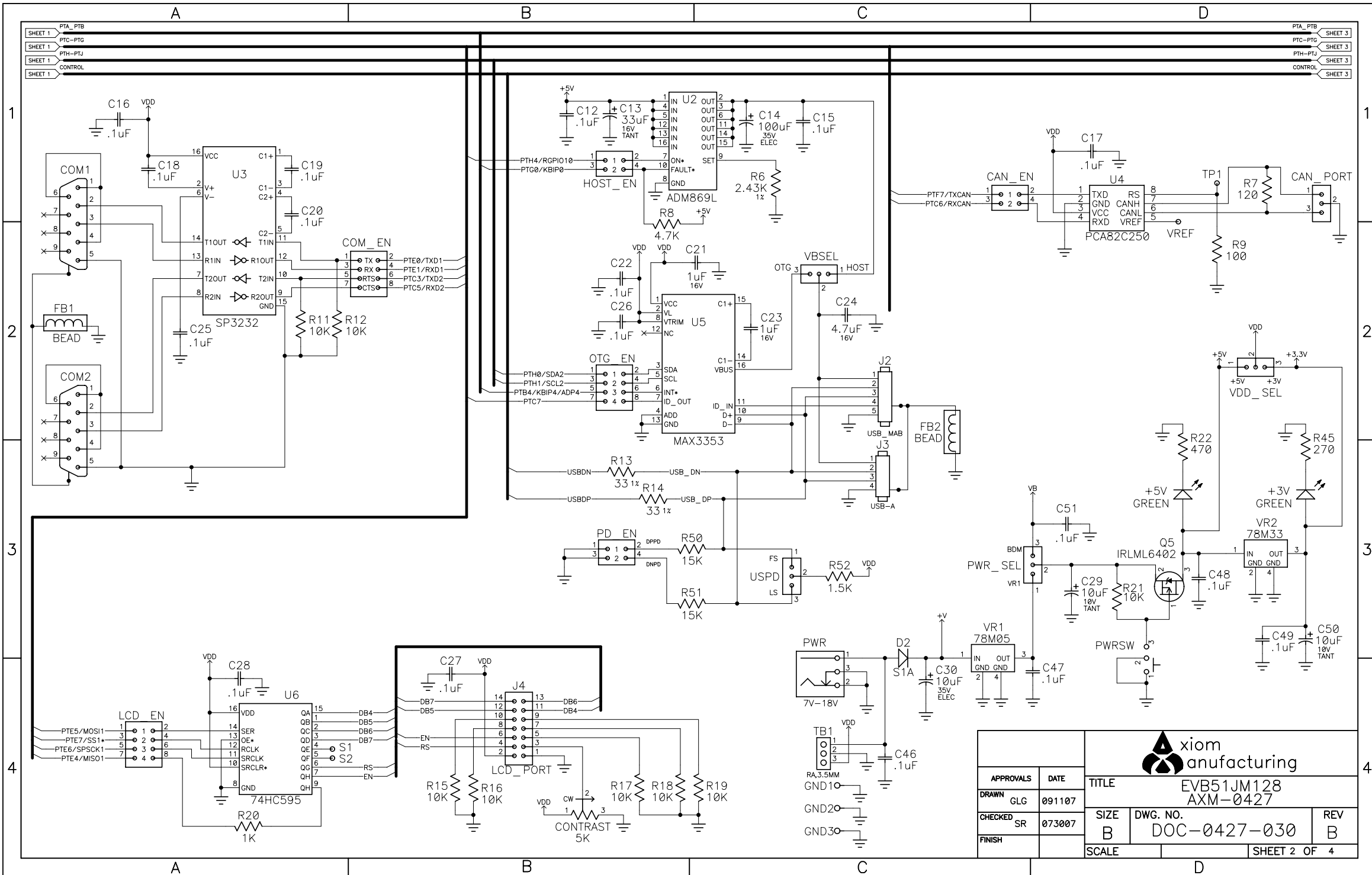


PTA\_PTB SHEET 2.3  
 PTC-PTG SHEET 2.3  
 PTH-PTI SHEET 2.3  
 CONTROL SHEET 2.3

APPROVALS		DATE	TITLE	
DRAWN	GLG	091107	EVB51JM128 AXM-0427	
CHECKED	SR	073007	SIZE	DWG. NO.
FINISH			B	DOC-0427-030
			SCALE	REVISION
				B
			SHEET 1 OF 4	



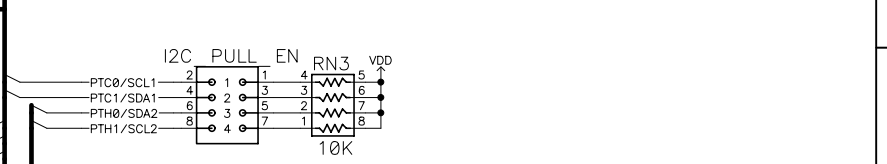
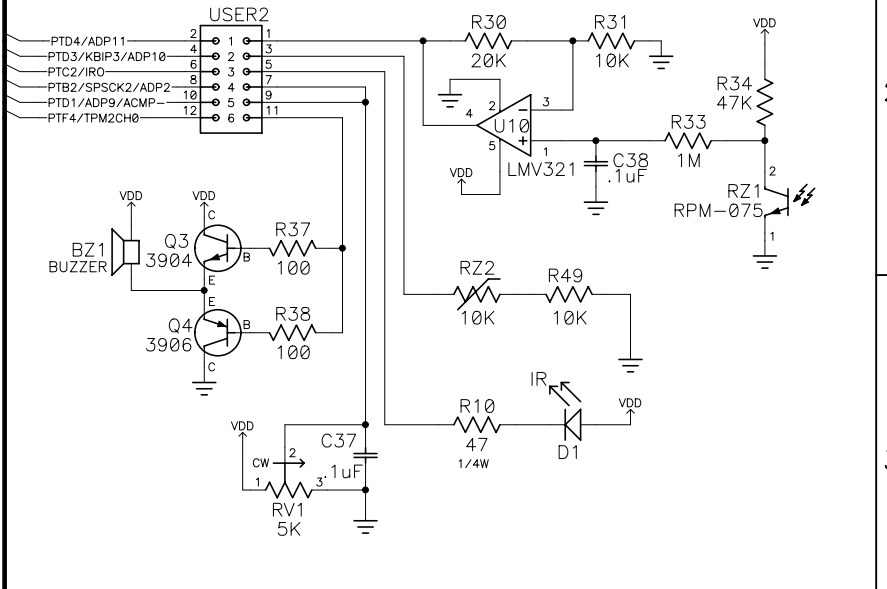
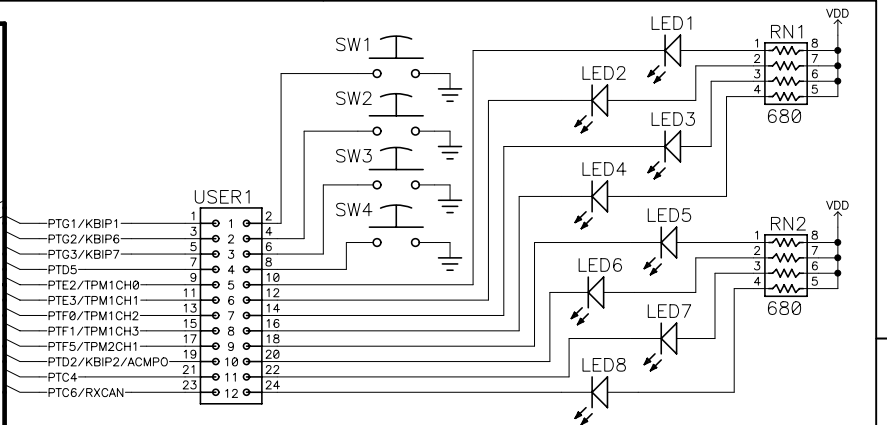
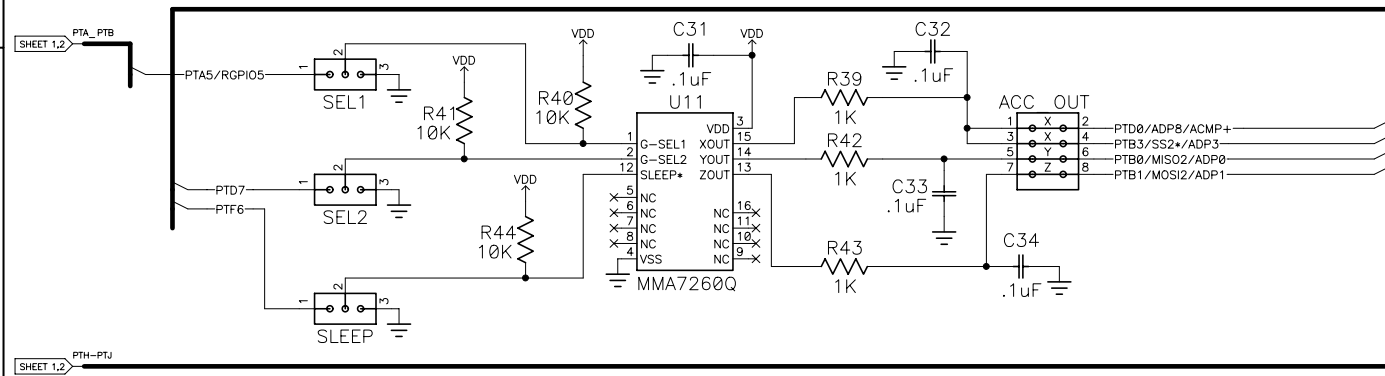
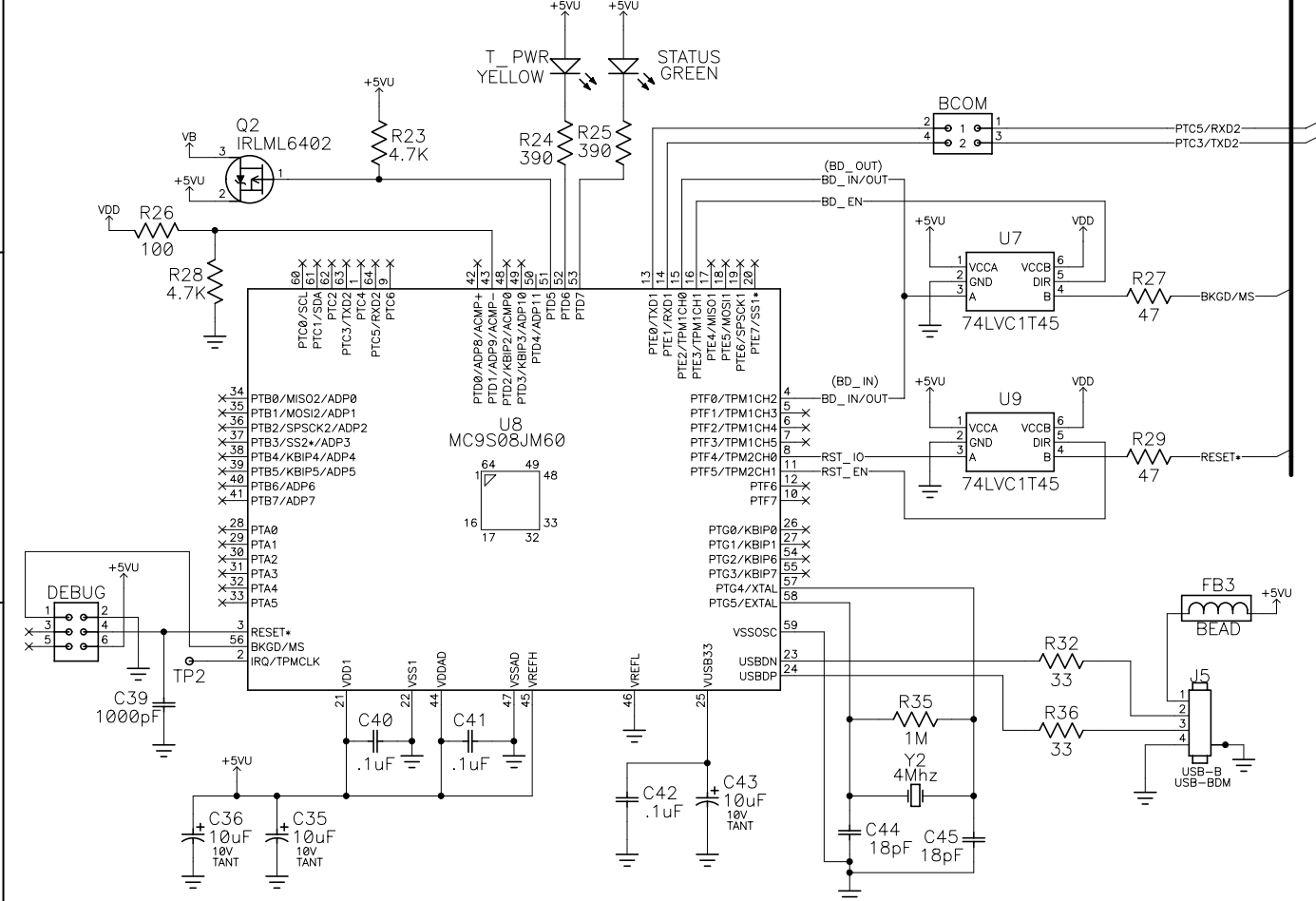


SHEET 1  
PTA-PTB  
PTC-PTG  
PTH-PTJ  
CONTROL

SHEET 3  
PTA-PTB  
PTC-PTG  
PTH-PTJ  
CONTROL

APPROVALS		DATE	TITLE	
DRAWN		091107	EVB51JM128 AXM-0427	
CHECKED		073007	SIZE	REV
FINISH			B	B
SCALE			SHEET 2 OF 4	





APPROVALS		DATE		TITLE			
DRAWN		091107		EVB51JM128 AXM-0427			
CHECKED		073007		SIZE	DWG. NO.	REV	
FINISH				B	DOC-0427-030	B	
SCALE				SHEET 3 OF 4			

