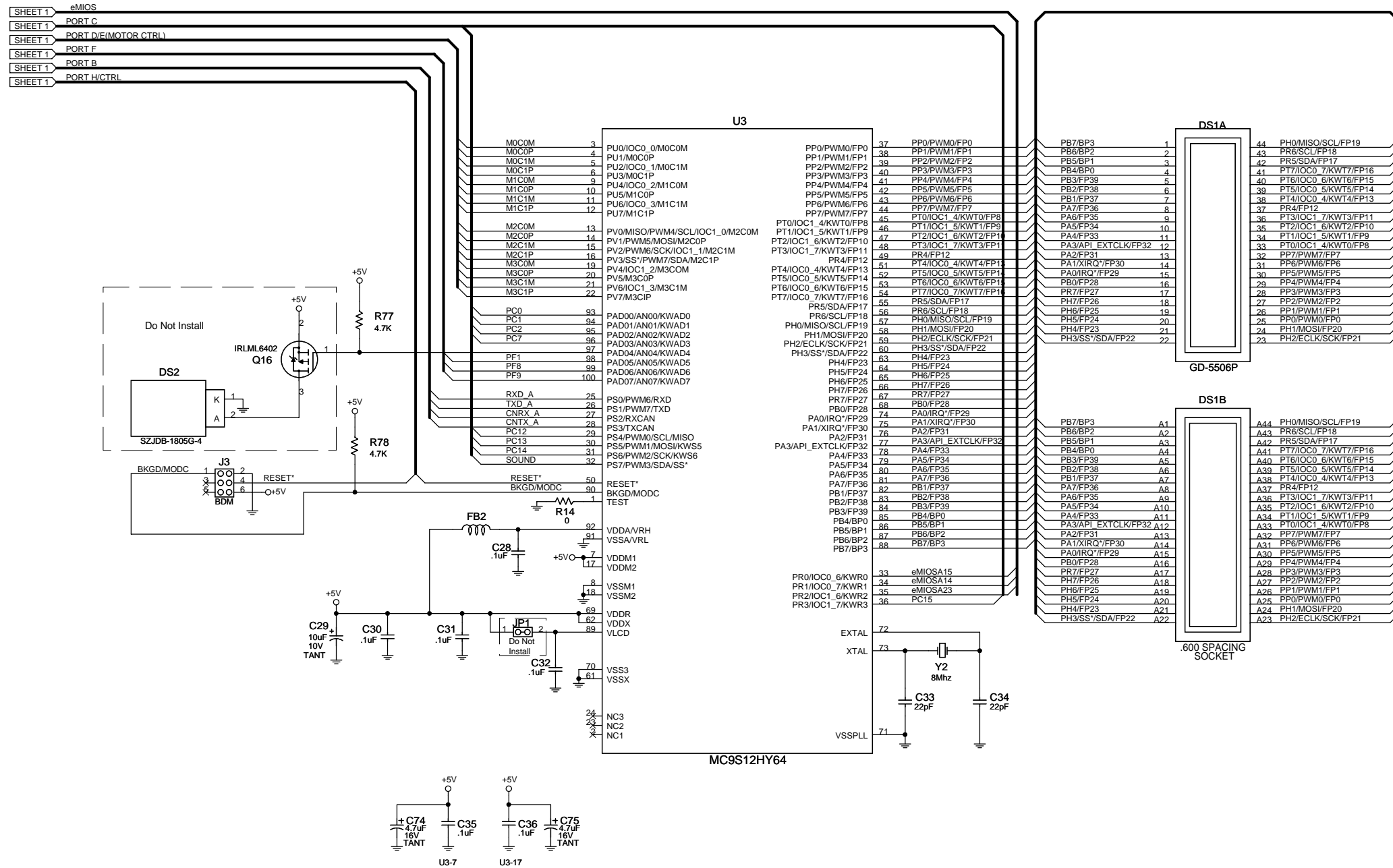


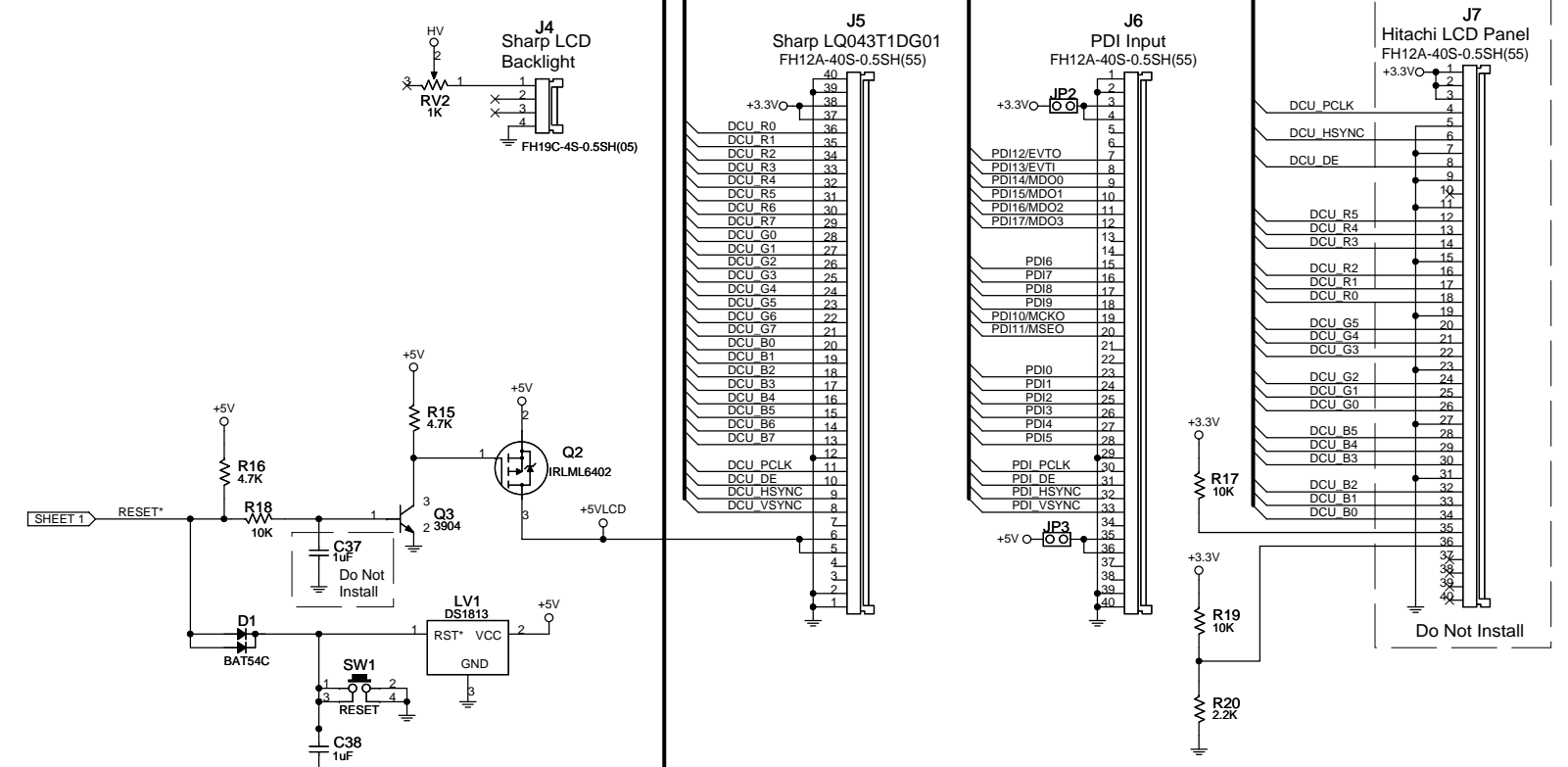
Approvals		Date	Title
Drawn	GLM	042009	DASHBOARD CLUSTER DEMO AXM-0488
Checked	DSR	042009	Document Number DOC-0488-030
Finish		Date: Tuesday, April 21, 2009	Sheet 1 of 5



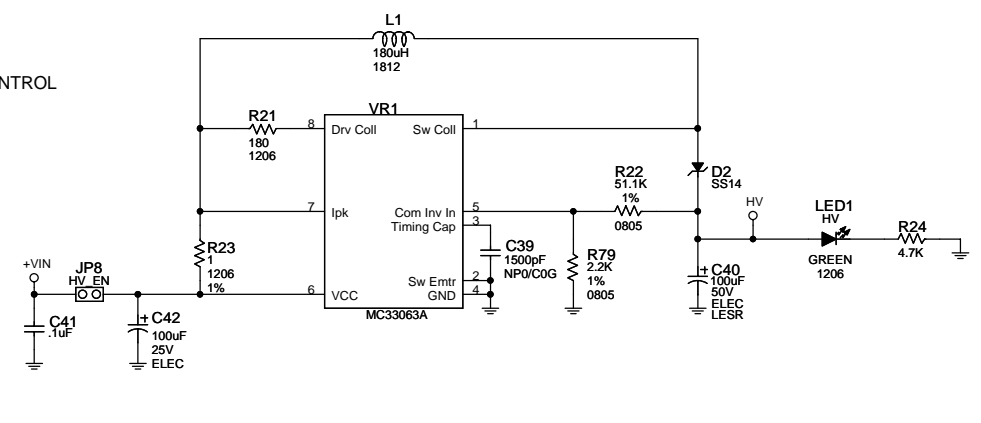


Approvals		Date	Title	
Drawn	GLM	042009	DASHBOARD CLUSTER DEMO AXM-0488	
Checked	DSR	042009	Size C	Document Number
Finish				DOC-0488-030
		Date: Tuesday, April 21, 2009	Sheet	2 of 5

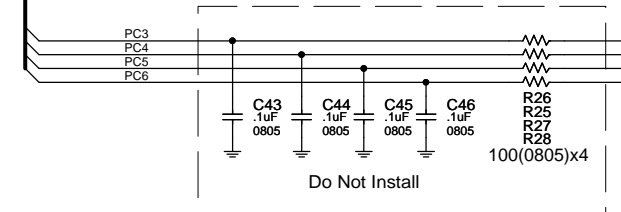
SHEET 1 PORT A/G(DCU)
 SHEET 1 PORT J/K (PDI)
 SHEET 1 PORT C



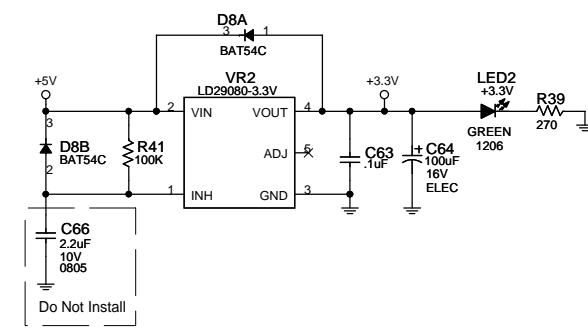
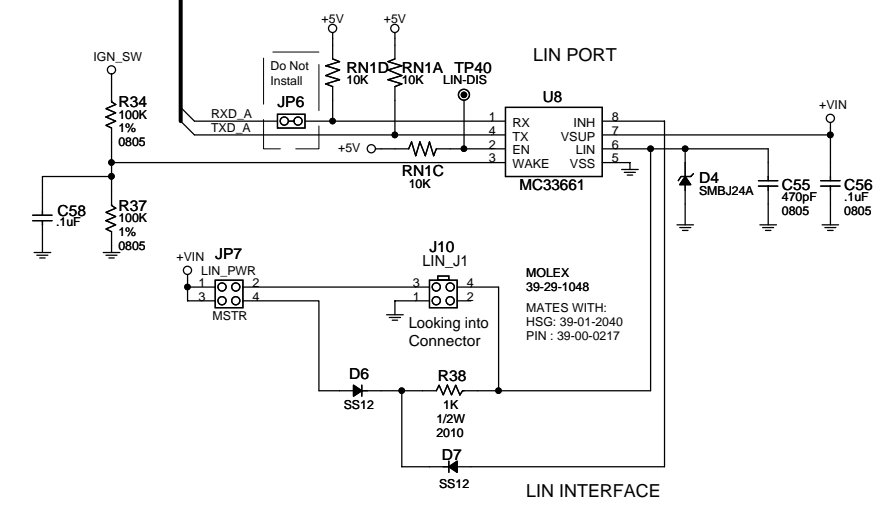
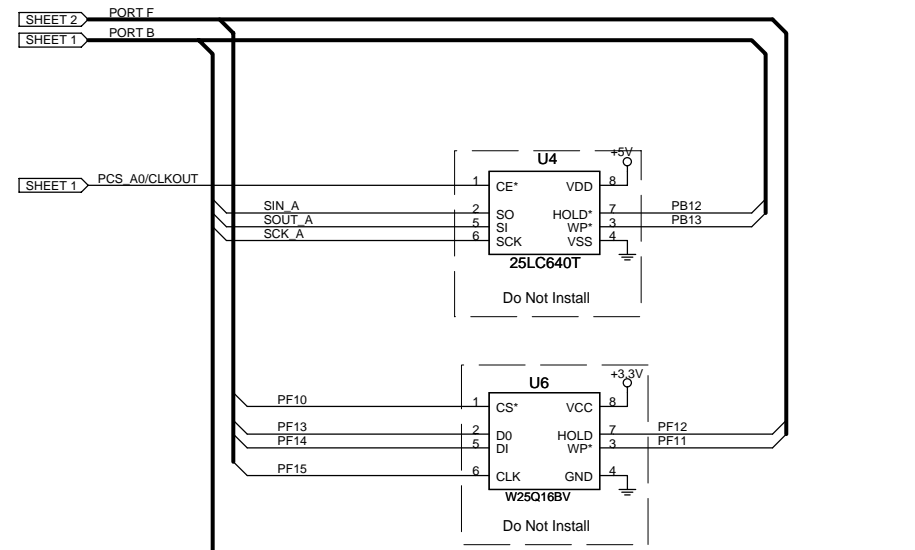
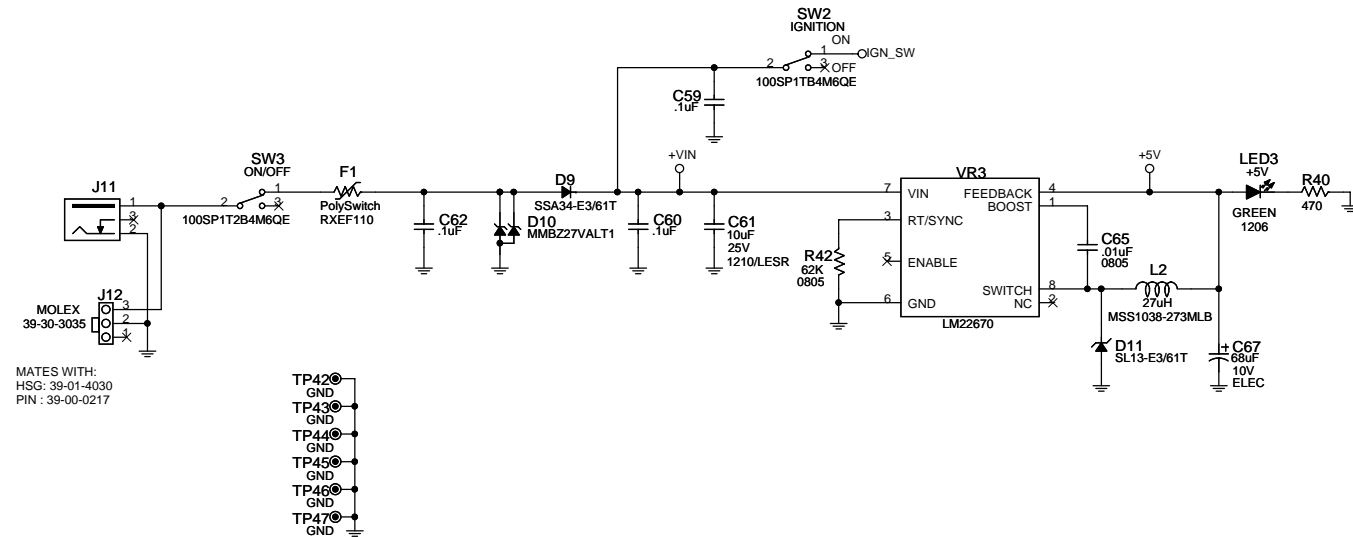
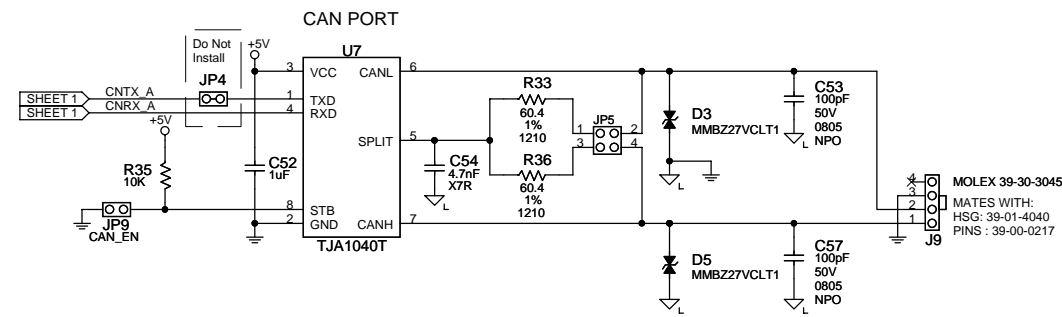
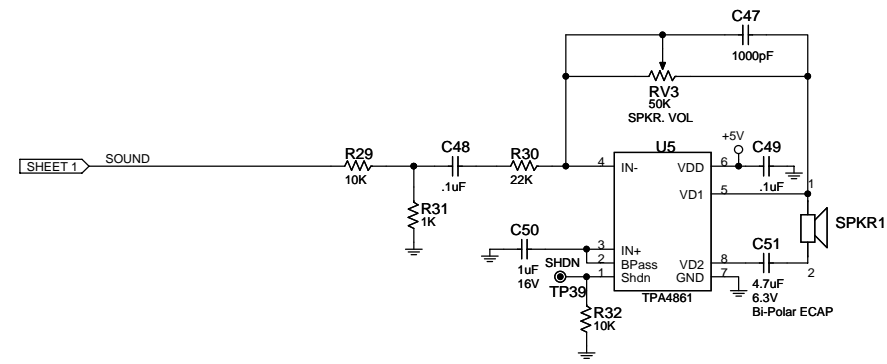
HITACHI LCD BACKLIGHT CONTROL



Sharp TOUCH SCREEN INTERFACE



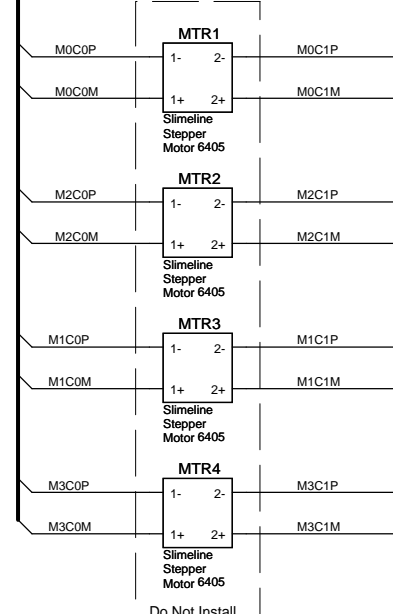
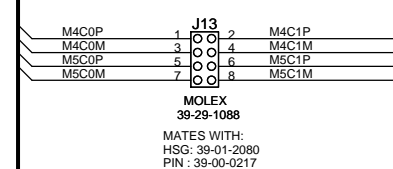
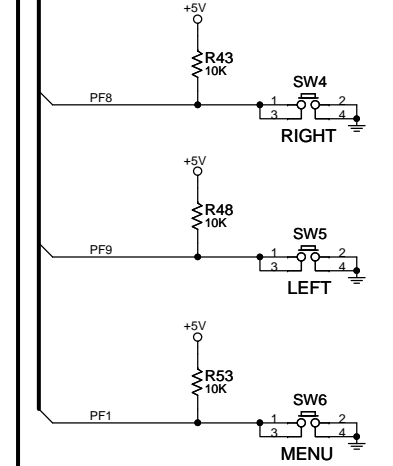
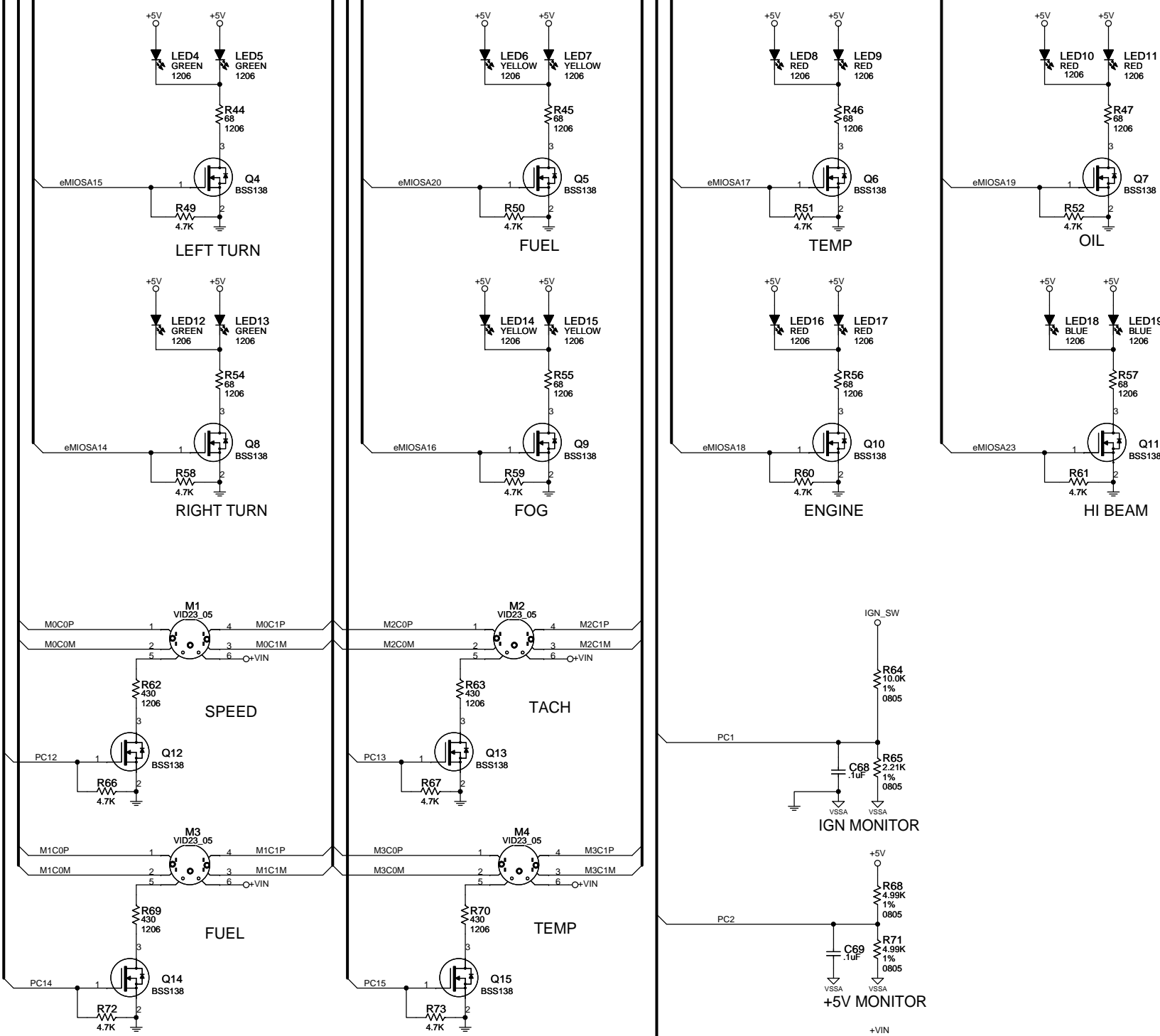
Approvals	Date
Drawn GLM	042009
Checked DSR	042009
Finish	
Title	
DASHBOARD CLUSTER DEMO AXM-0488	
Size C	Document Number
DOC-0488-030	Rev B
Date: Tuesday, April 21, 2009	Sheet 3 of 5



- MATES WITH:
HSG: 39-01-4030
PIN : 39-00-0217
- TP42 GND
 - TP43 GND
 - TP44 GND
 - TP45 GND
 - TP46 GND
 - TP47 GND

Approvals	Date
Drawn GLM	042009
Checked DSR	042009
Finish	
Title	
DASHBOARD CLUSTER DEMO AXM-0488	
Document Number	
DOC-0488-030	
Date: Tuesday, April 21, 2009	
Sheet 4 of 5	

SHEET 2 PORT D/E(MOTOR CTRL)
 SHEET 2 PORT F
 SHEET 1 eMIOS
 SHEET 3 PORT C



		Title	
		DASHBOARD CLUSTER DEMO AXM-0488	
Drawn	GLM	Date	042009
Checked	DSR	Date	042009
Finish		Date	Tuesday, April 21, 2009
Size	C	Document Number	DOC-0488-030
Rev	B	Sheet	5 of 5