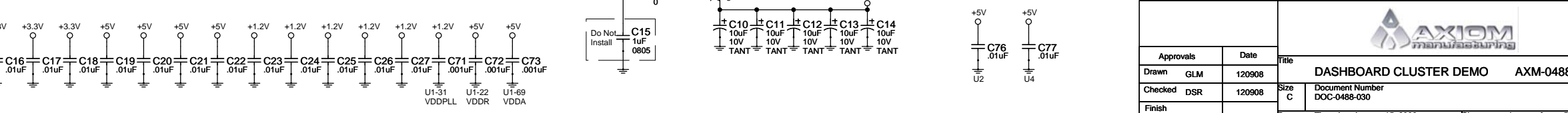
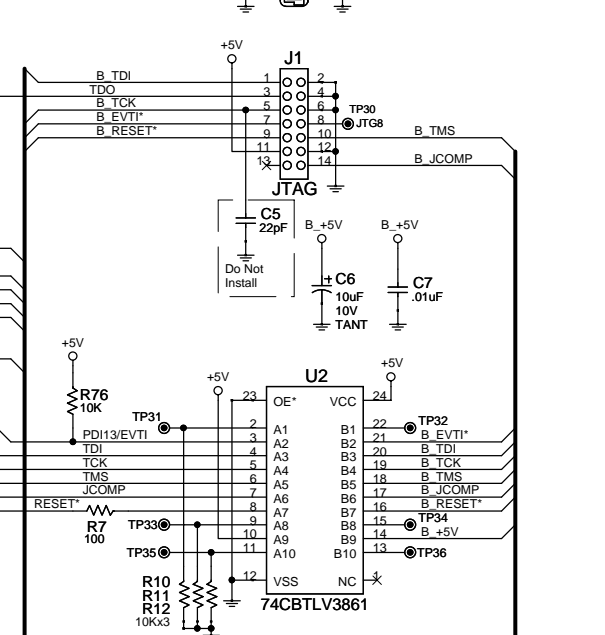
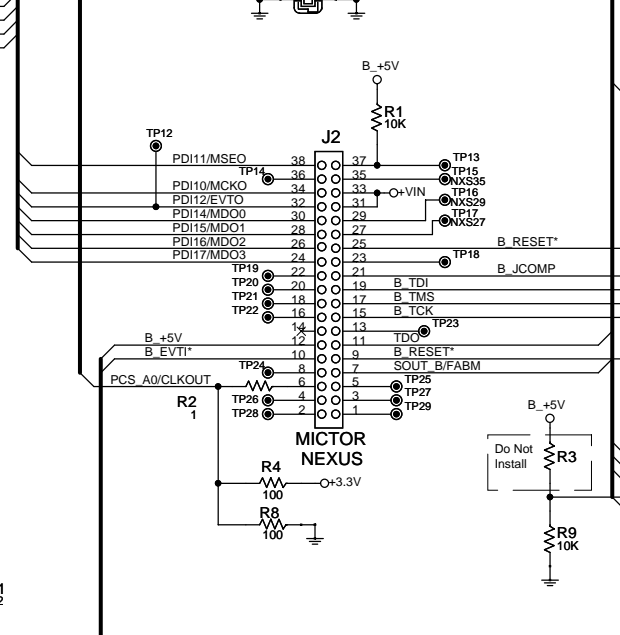
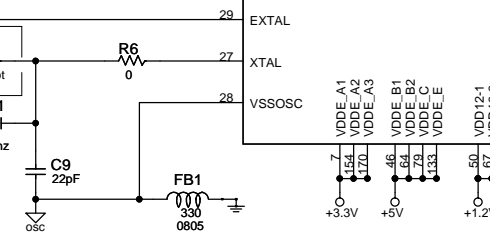
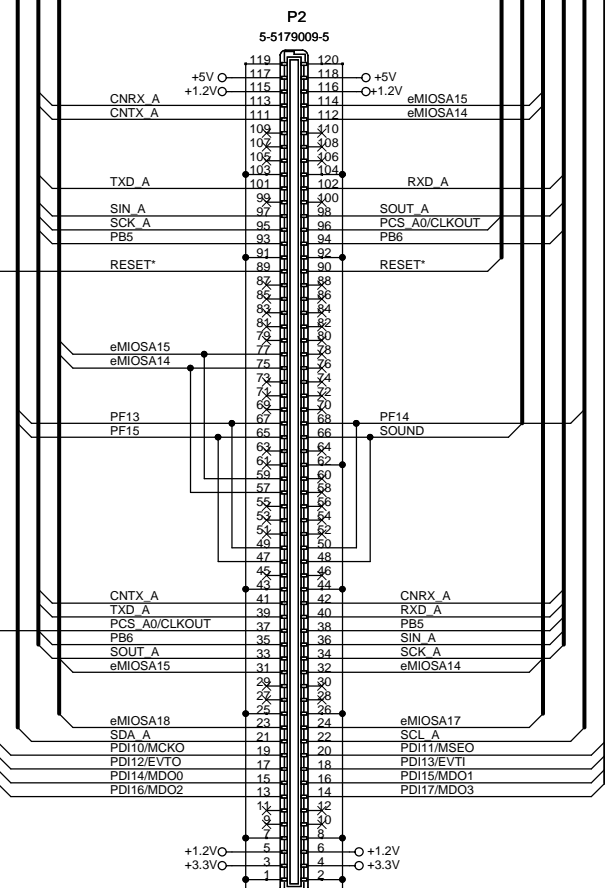
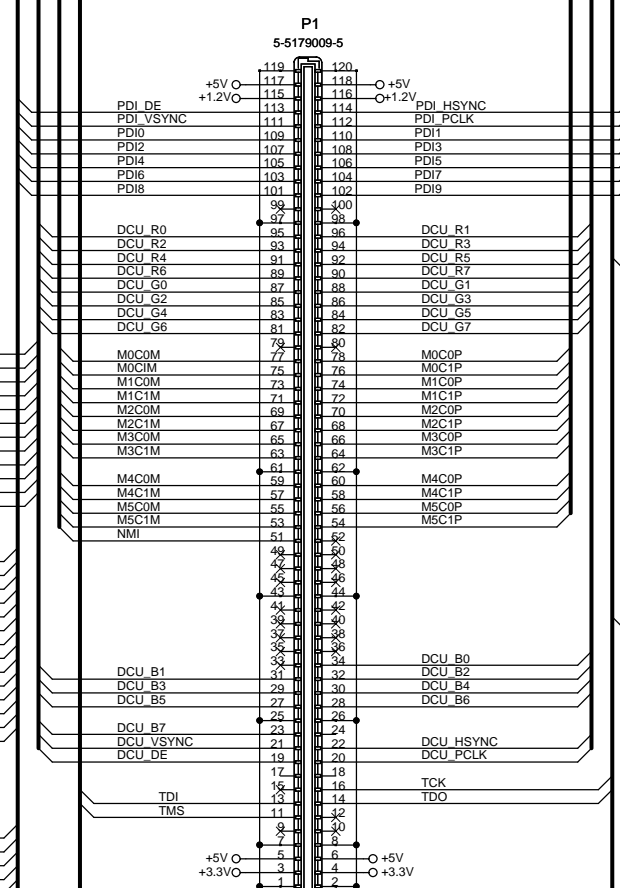
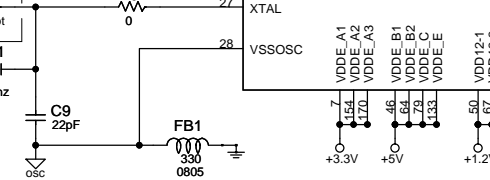
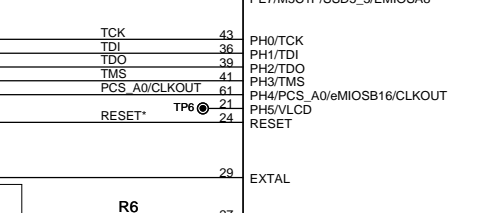
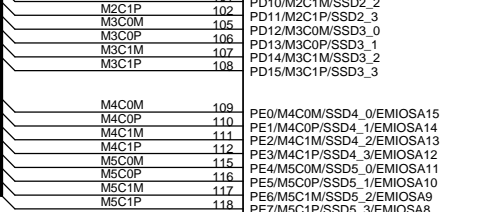
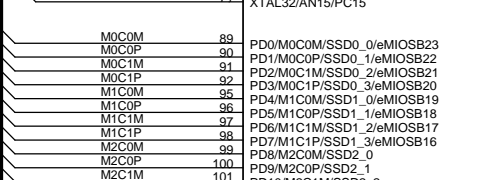
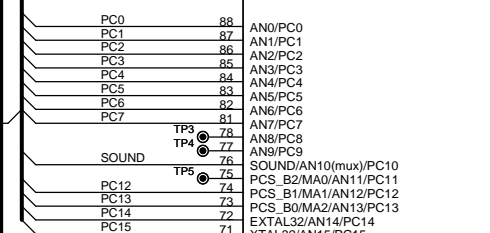
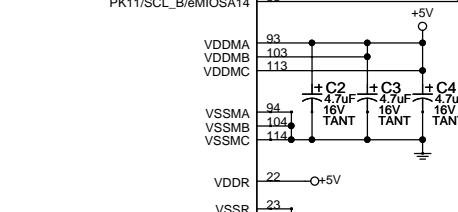
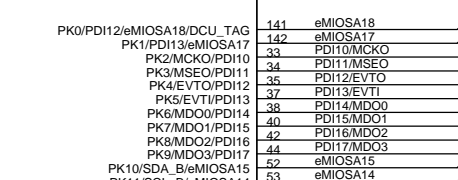
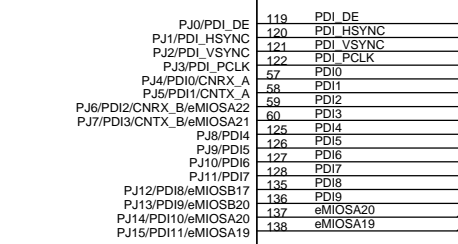
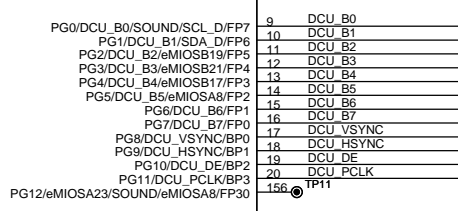
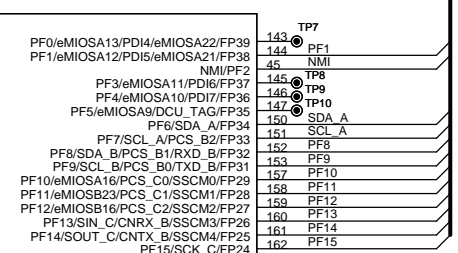
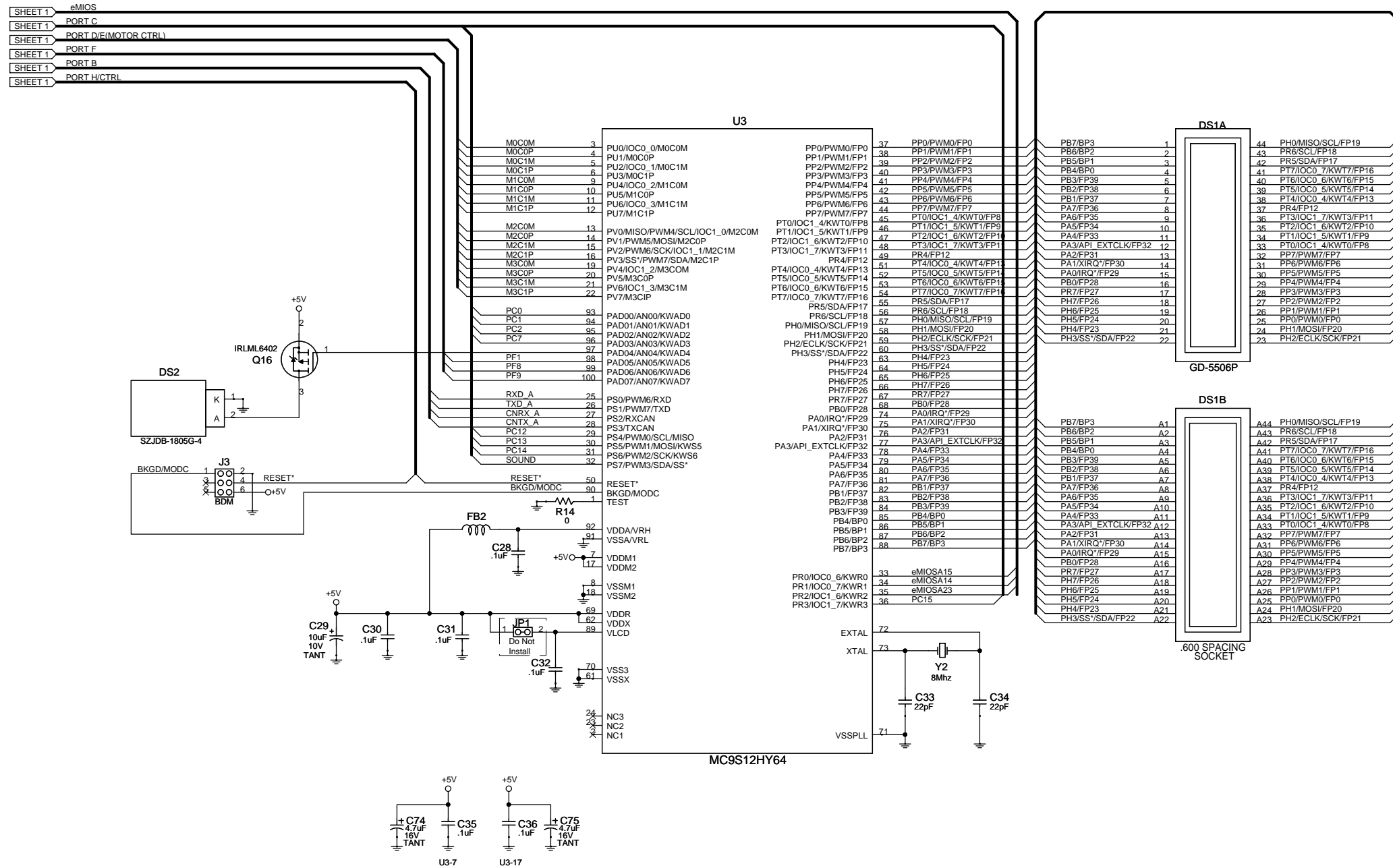


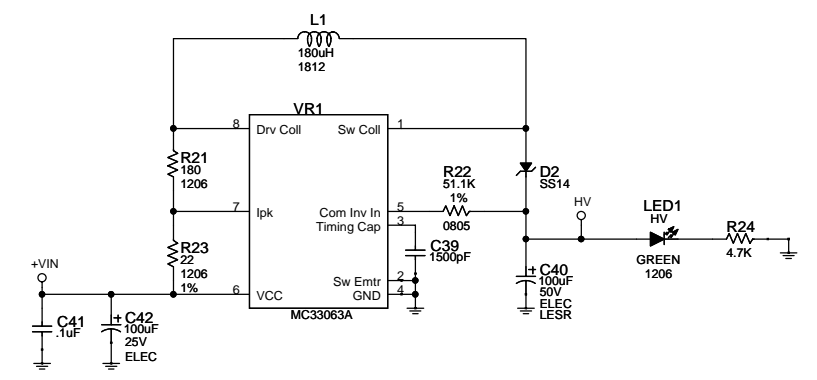
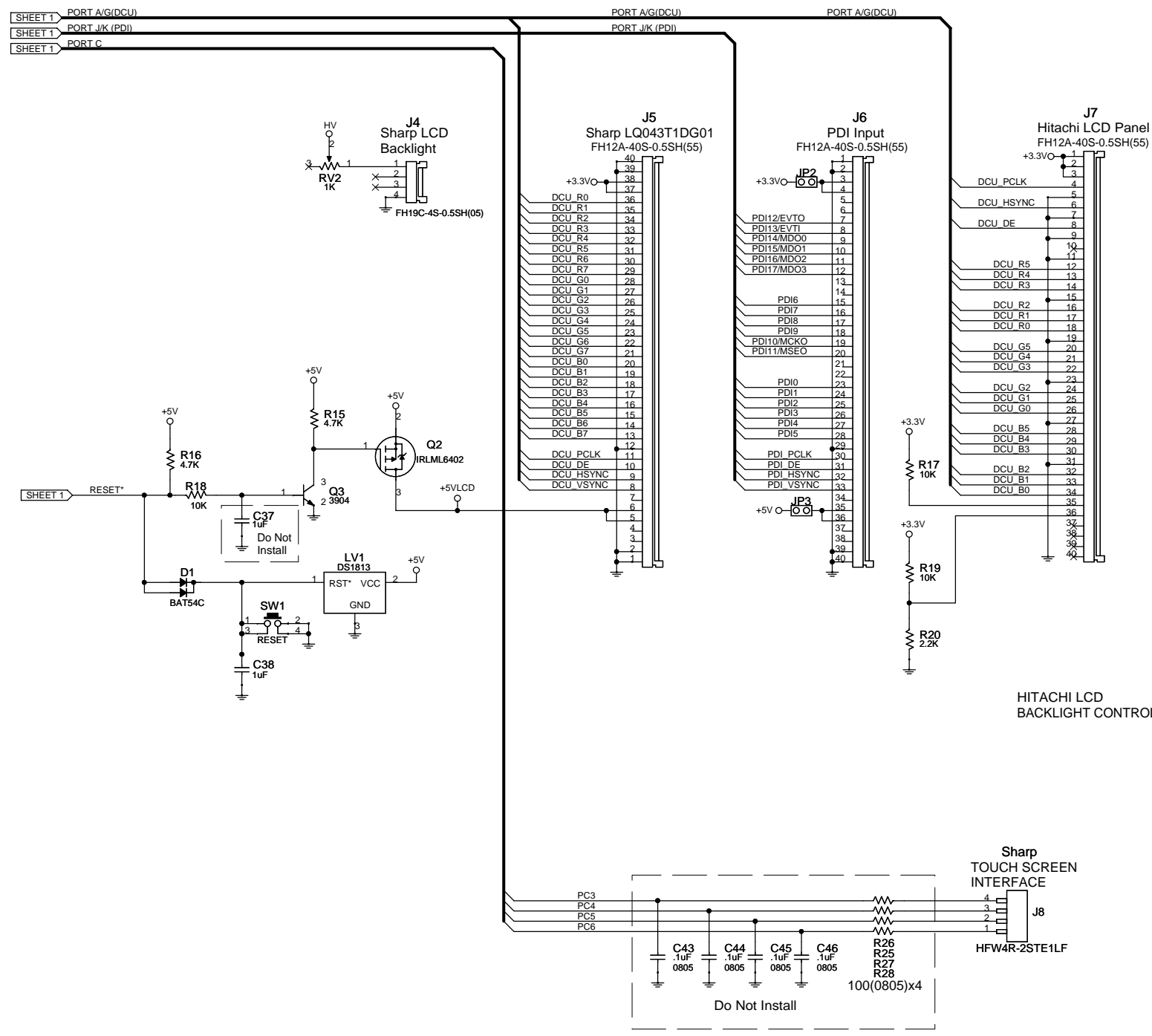
**U1
MPC560xS**



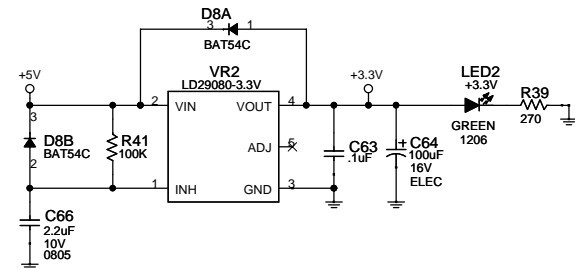
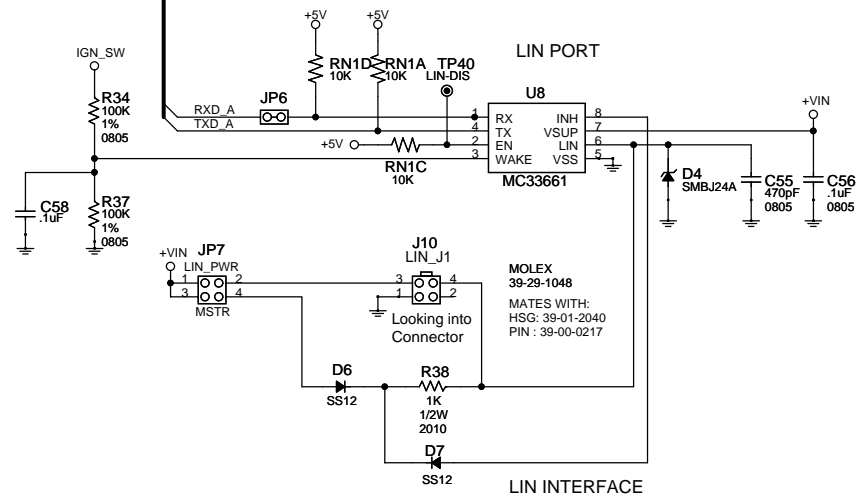
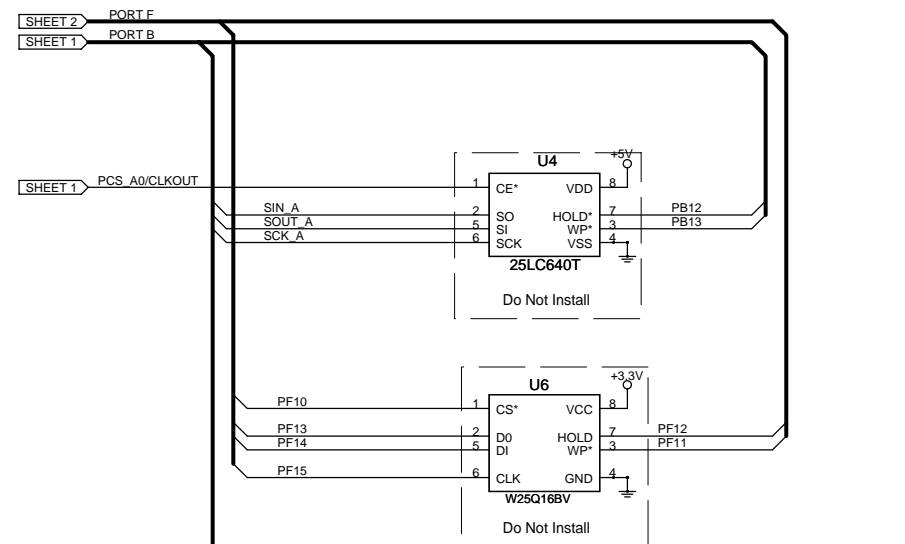
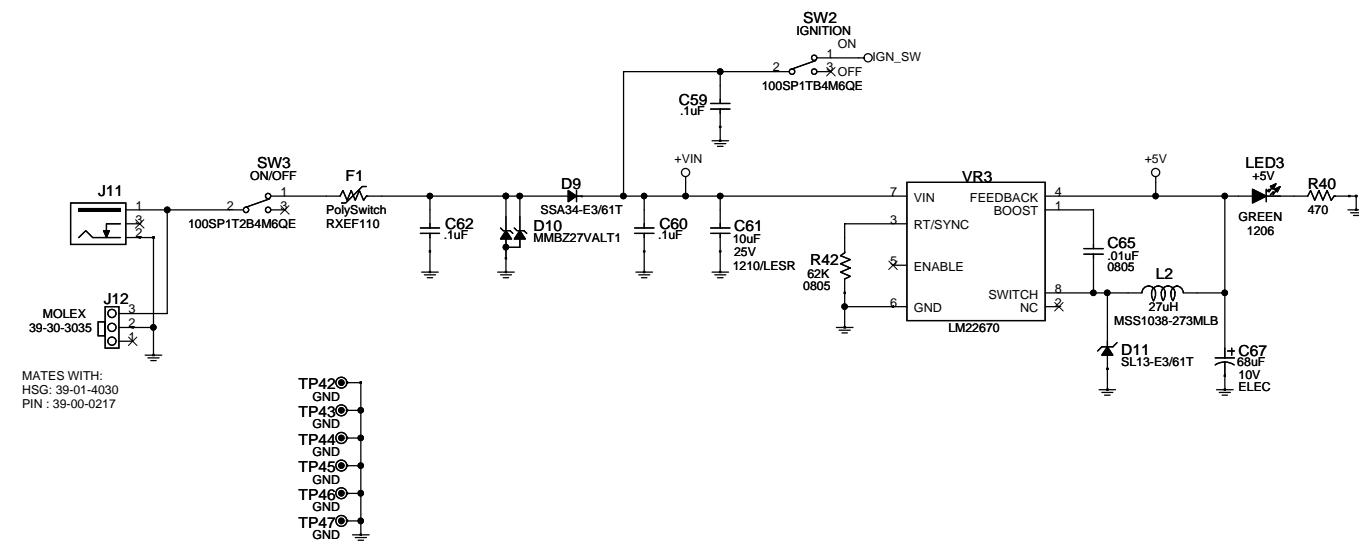
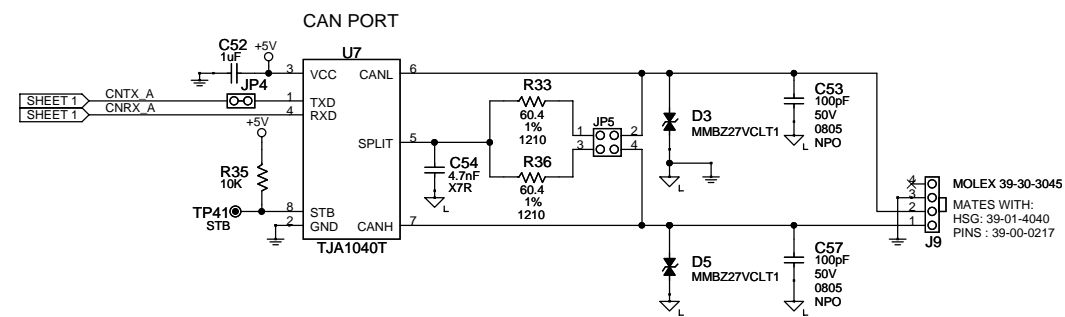
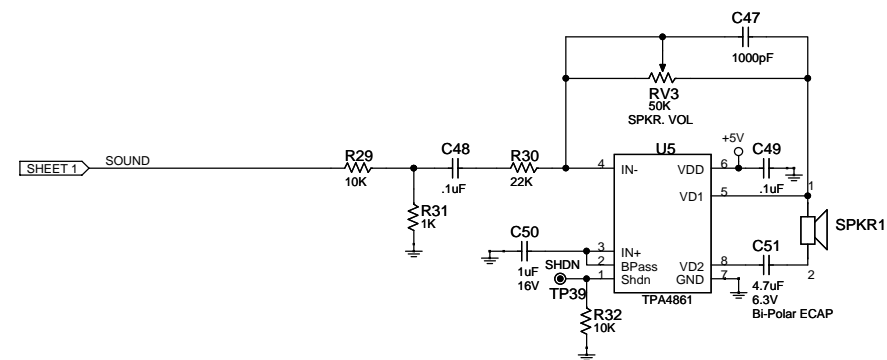
| | | | |
|-----------|-----|----------------------------------|---------------------------------|
| Approvals | | Date | Title |
| Drawn | GLM | 120908 | DASHBOARD CLUSTER DEMO AXM-0488 |
| Checked | DSR | 120908 | Document Number DOC-0488-030 |
| Finish | | Date: Thursday, January 15, 2009 | Sheet 1 of 5 |



| | | | |
|-------------|--------|---------------------------------|------------------------------|
| | | | |
| Approvals | Date | Title | |
| Drawn GLM | 120908 | DASHBOARD CLUSTER DEMO AXM-0488 | |
| Checked DSR | 120908 | Size C | Document Number DOC-0488-030 |
| Finish | | Date: Friday, January 09, 2009 | Rev A |
| | | Sheet 2 of 5 | |



| | | | |
|-------------|--------|---------------------------------|------------------------------|
| | | | |
| Approvals | Date | Title | |
| Drawn GLM | 120908 | DASHBOARD CLUSTER DEMO AXM-0488 | |
| Checked DSR | 120908 | Size C | Document Number DOC-0488-030 |
| Finish | | Date: Friday, January 09, 2009 | Rev A |
| | | Sheet 3 | of 5 |

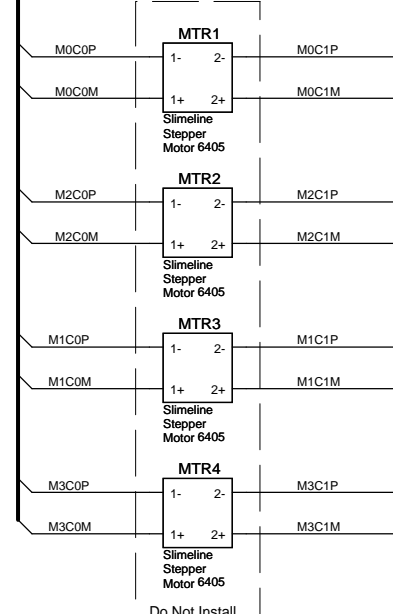
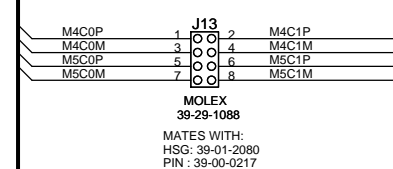
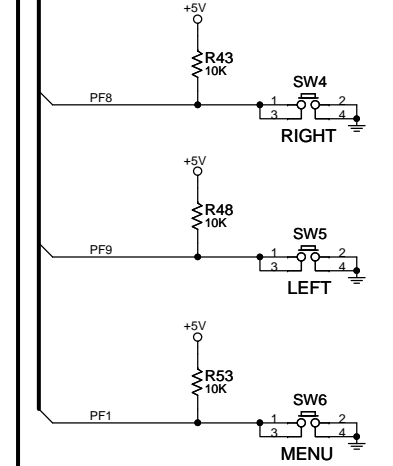
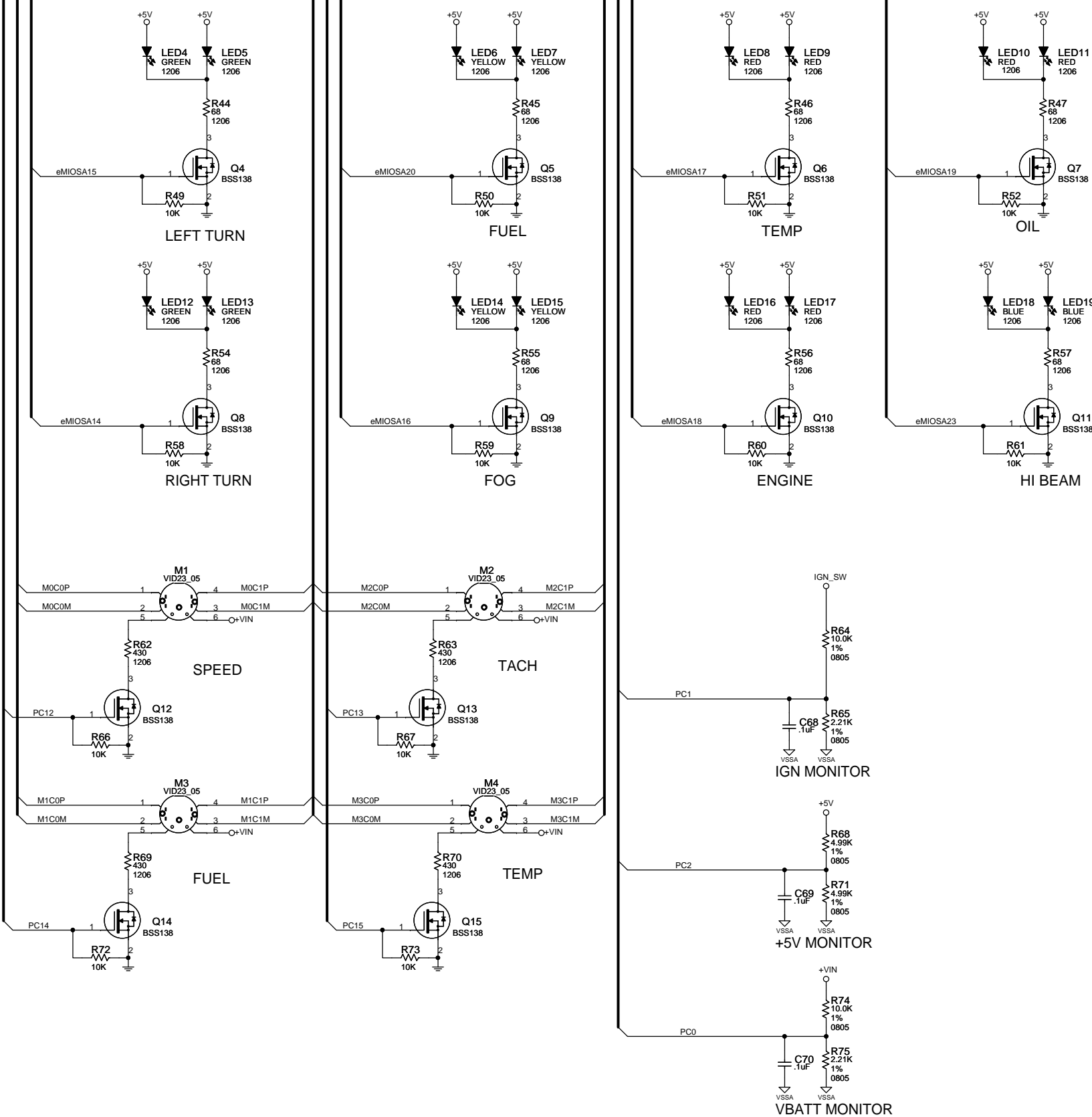


MATES WITH:
HSG: 39-01-4030
PIN : 39-00-0217

TP42 GND
TP43 GND
TP44 GND
TP45 GND
TP46 GND
TP47 GND

| | |
|---------------------------------|--------------------------|
| | |
| Approvals | Date |
| Drawn GLM | 120908 |
| Checked DSR | 120908 |
| Finish | |
| Title | |
| DASHBOARD CLUSTER DEMO AXM-0488 | |
| Size C | Document Number |
| | DOC-0488-030 |
| Date: | Friday, January 09, 2009 |
| Sheet | 4 of 5 |

SHEET 2 PORT D/E(MOTOR CTRL)
 SHEET 2 PORT F
 SHEET 1 eMIOS
 SHEET 3 PORT C



| | | | | |
|-----------|-----|--------|---------------------------------|-----------------|
| Approvals | | Date | Title | |
| Drawn | GLM | 120908 | DASHBOARD CLUSTER DEMO AXM-0488 | |
| Checked | DSR | 120908 | Size | Document Number |
| Finish | | | C | DOC-0488-030 |
| | | Date: | Friday, January 09, 2009 | Sheet 5 of 5 |

