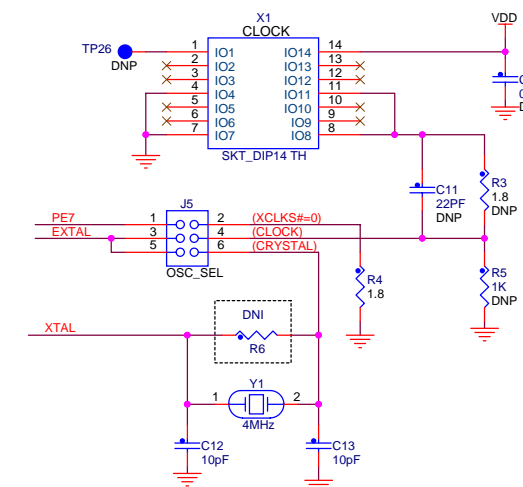
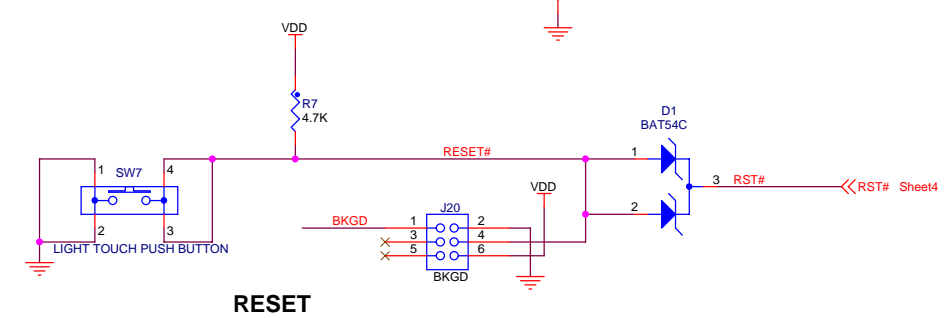
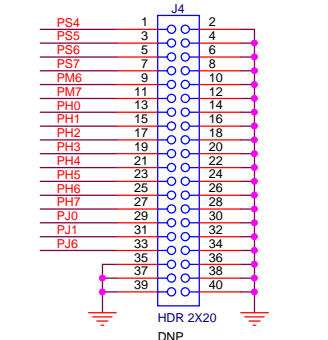
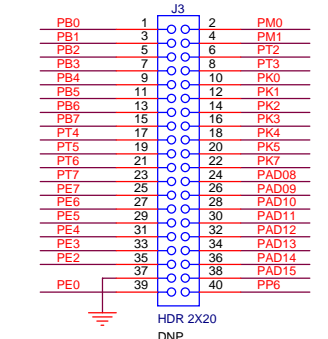
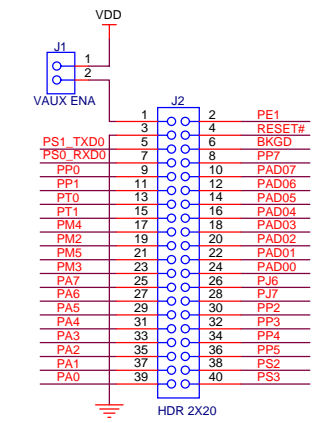
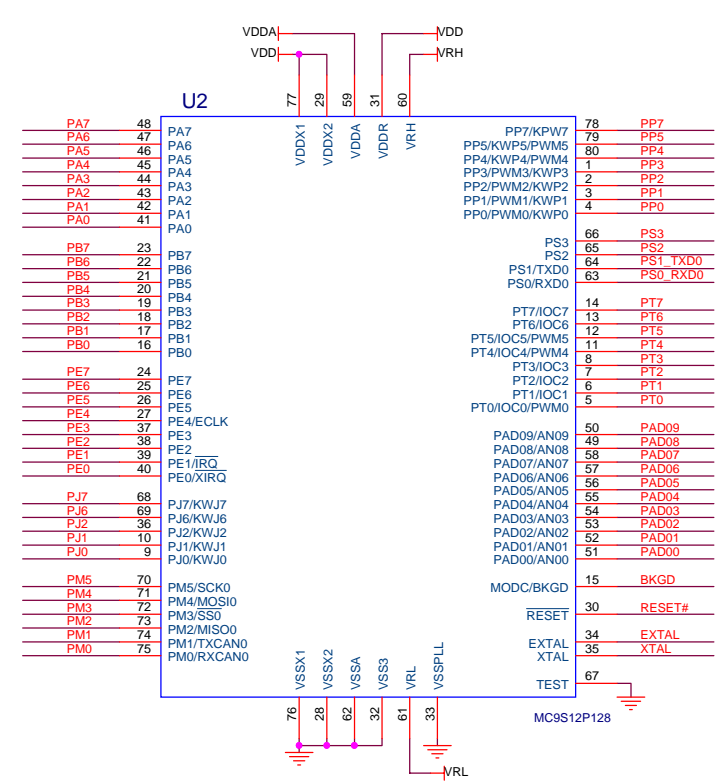
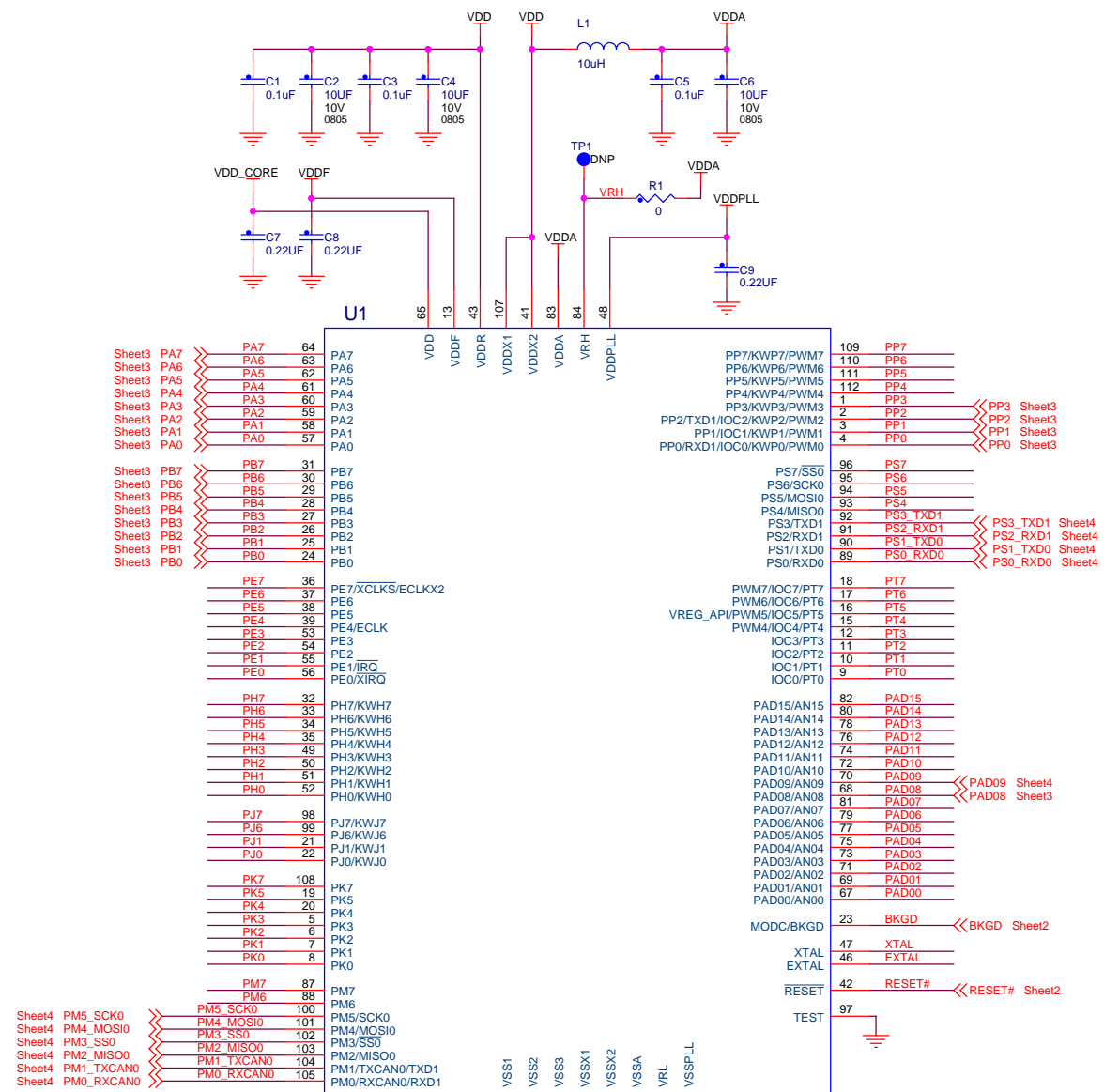


NOTE: ONLY 1 MCU INSTALLED

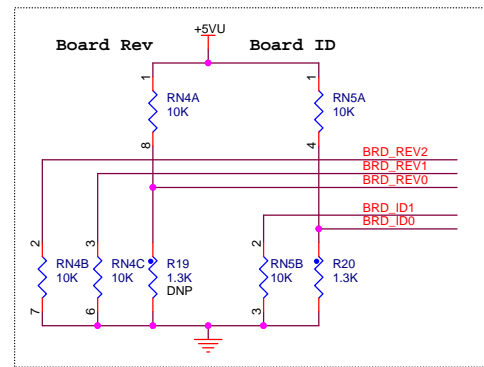
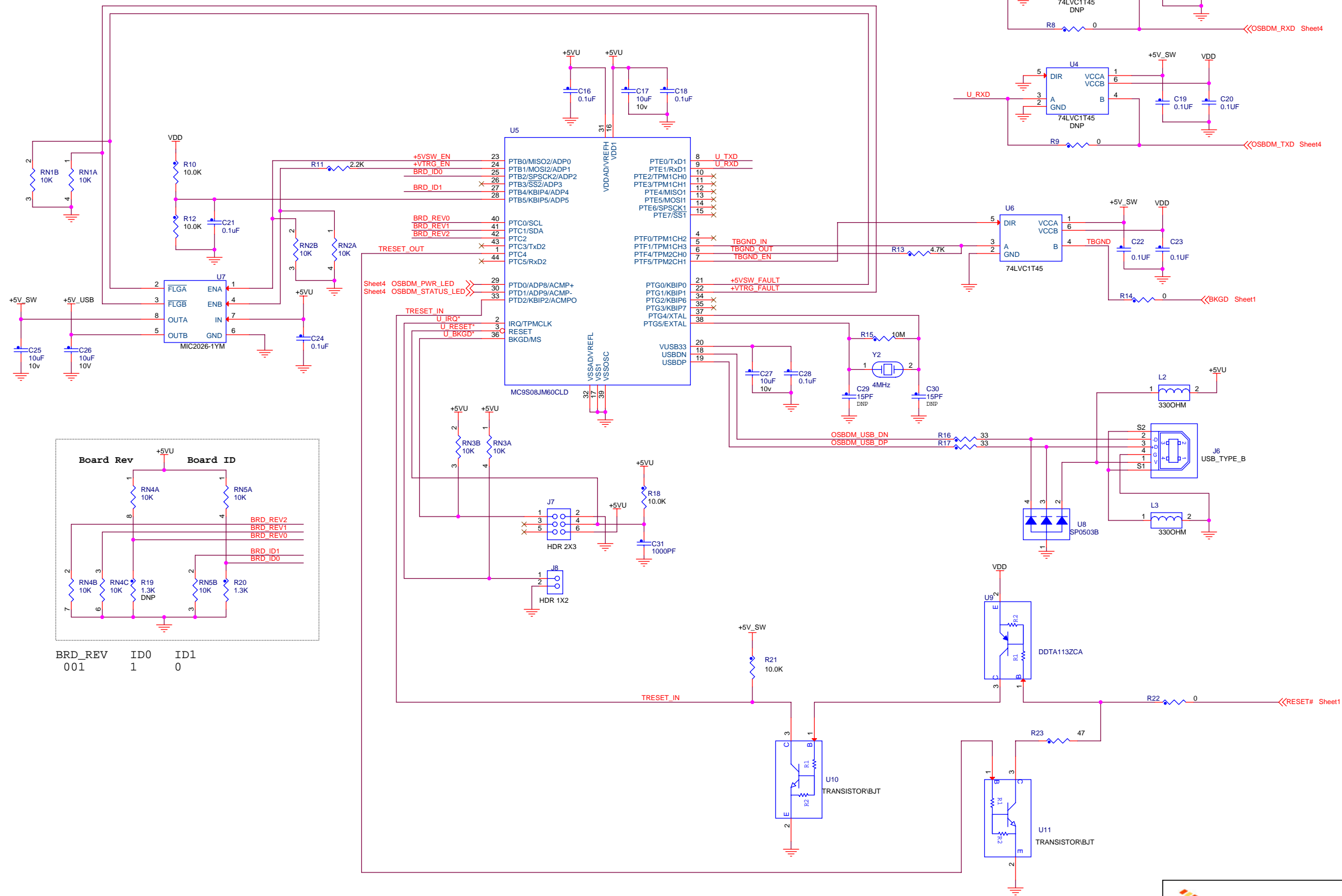


NOTE:
ALL RESISTORS AND CAPACITORS ARE 0603 UNLESS OTHERWISE SPECIFIED

freescale
semiconductor

ICAP Classification: FCP: FIUC: X PUBI: _____
Drawing Title: **DEMOAX9S12**
Page Title: **MCU**

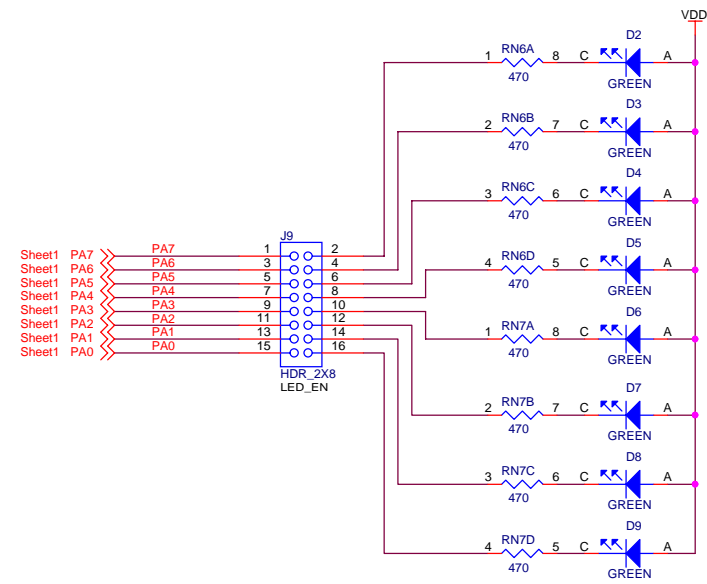
Size C	Document Number SCH-28083 PDF: SPF-28083	Rev B
Date: Tuesday, October 22, 2013	Sheet 1 of 4	



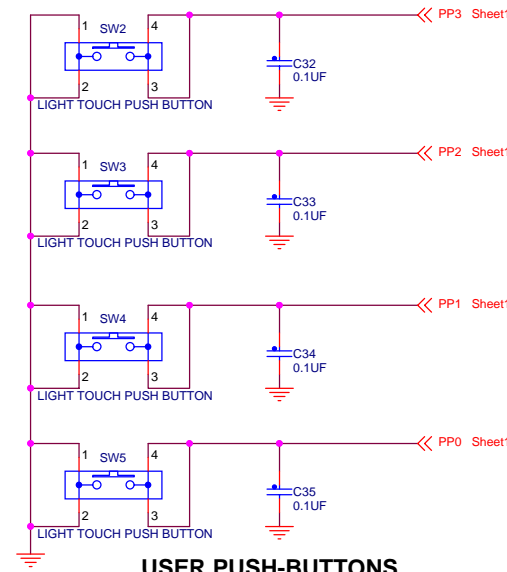
BRD_REV ID0 ID1
 001 1 0

NOTE:

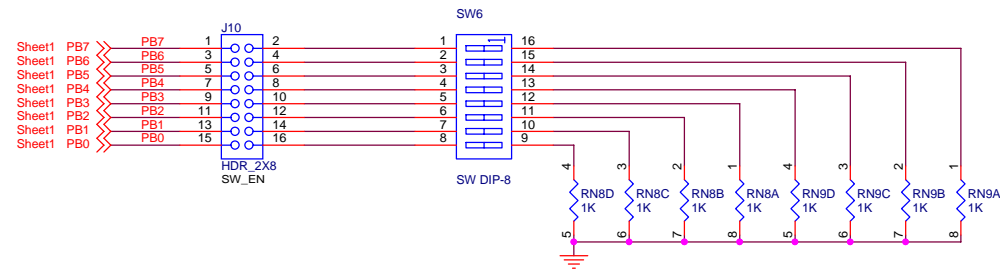
ALL RESISTORS AND CAPACITORS ARE 0603 UNLESS OTHERWISE SPECIFIED



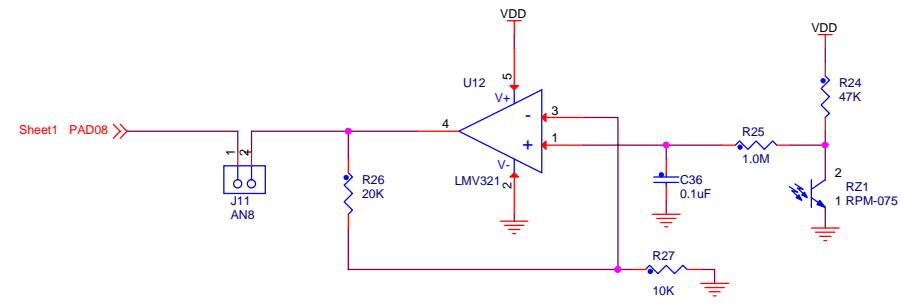
USER LEDS



USER PUSH-BUTTONS



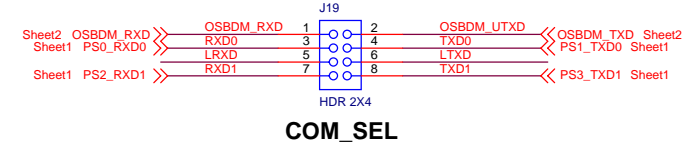
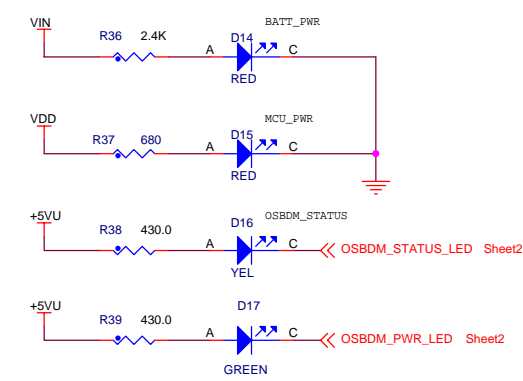
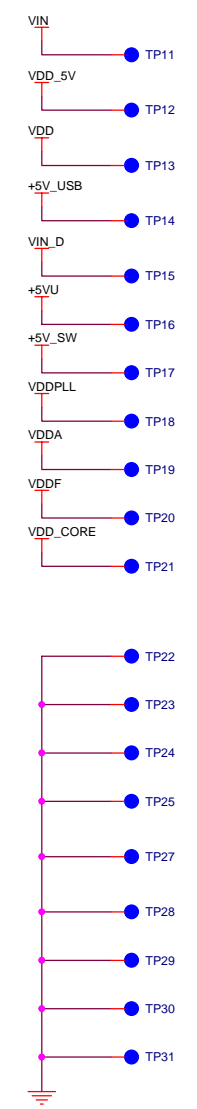
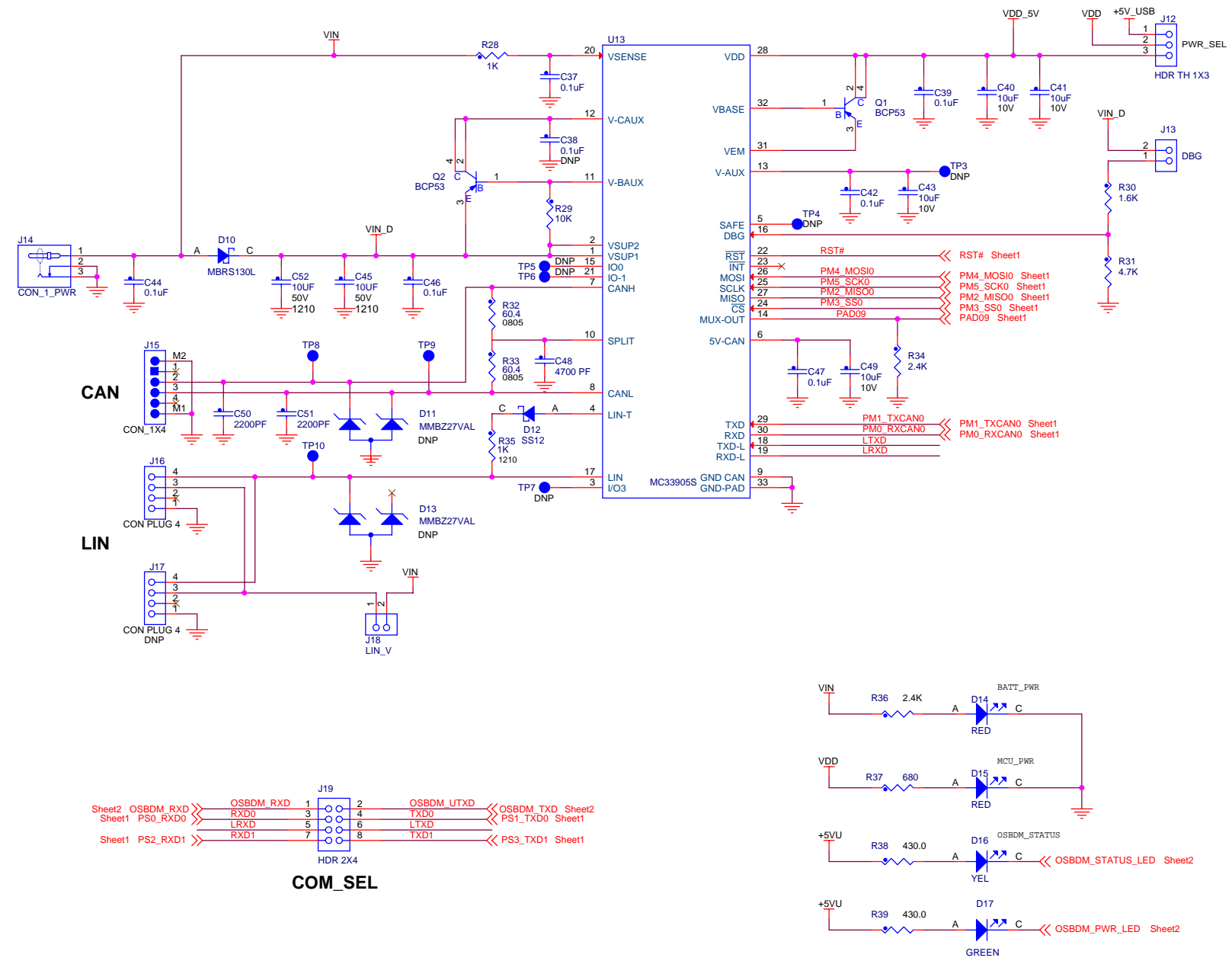
USER SWITCHES



LIGHT SENSOR

NOTE:

ALL RESISTORS AND CAPACITORS ARE 0603 UNLESS OTHERWISE SPECIFIED



NOTE:
ALL RESISTORS AND CAPACITORS ARE 0603 UNLESS OTHERWISE SPECIFIED