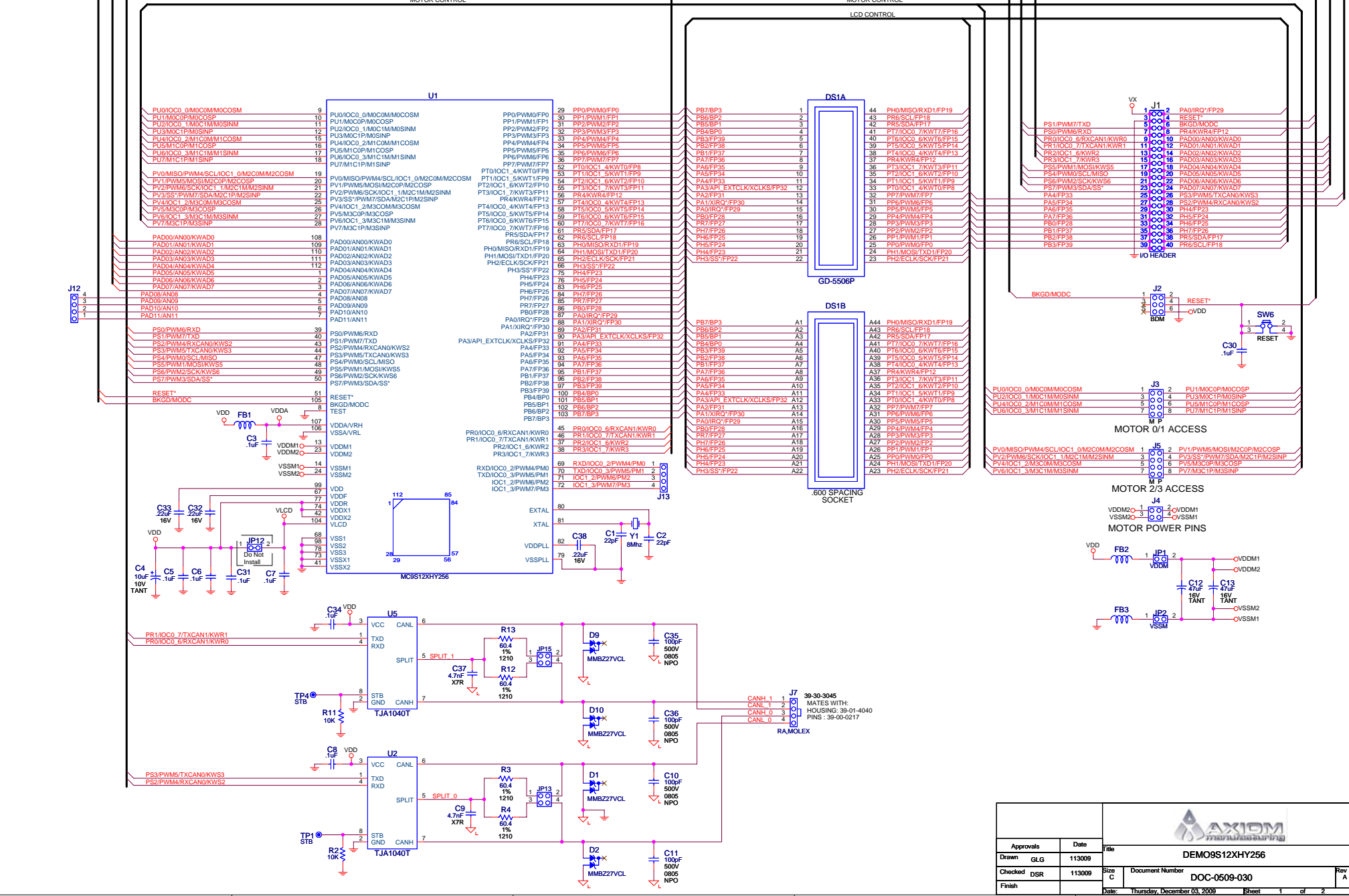


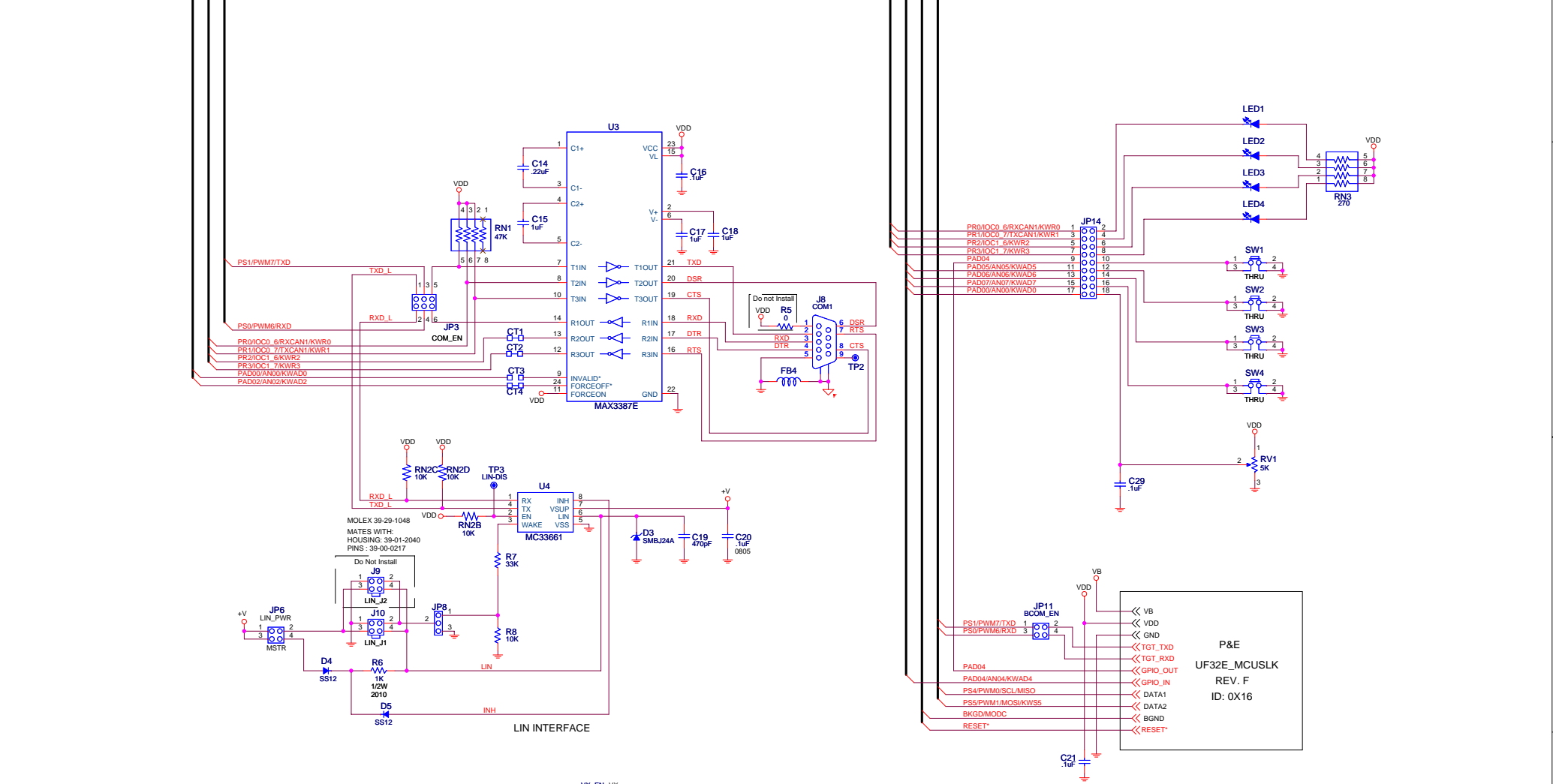
SHEET 2 PORT R
 SHEET 2 PORT S
 SHEET 2 ANALOG PORT
 SHEET 2 CONTROL SIGNAL
 PORT R
 PORT S
 ANALOG PORT
 CONTROL SIGNAL
 MOTOR CONTROL
 MOTOR CONTROL
 LCD CONTROL



Approvals	Date	File	
Drawn GLG	113009	DEMO9S12XHY256	
Checked DSR	113009	Size C	Document Number
Finish			DOC-0509-030
Date: Thursday, December 03, 2008		Sheet 1 of 2	

PORT S
 CONTROL SIGNAL
 ANALOG PORT
 PORT R

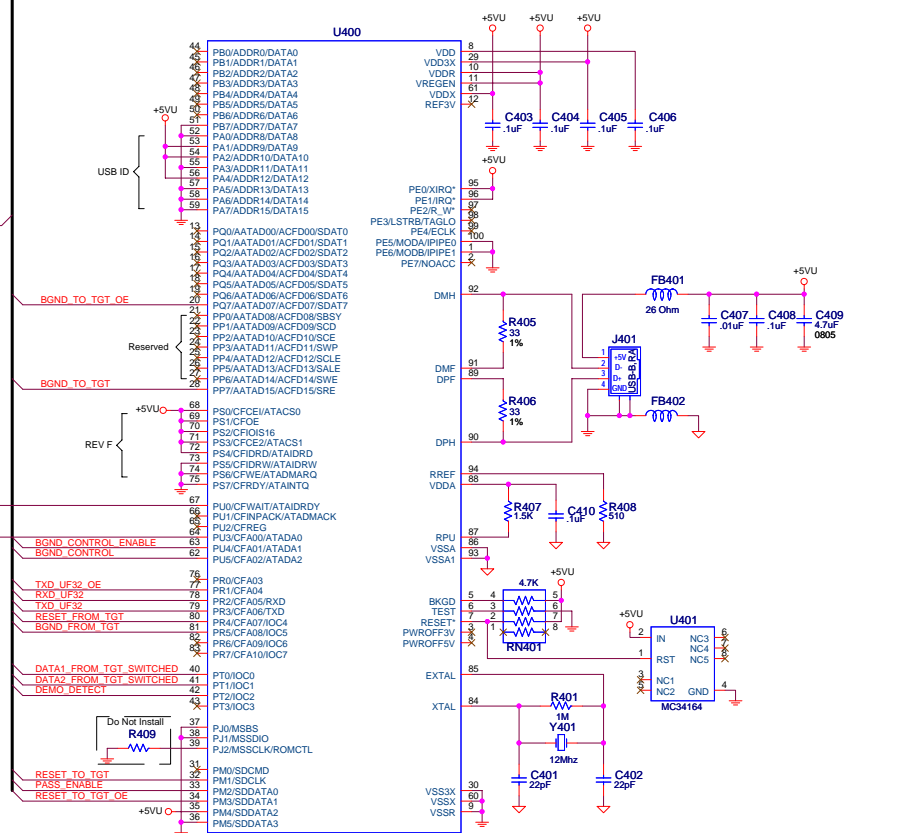
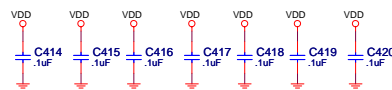
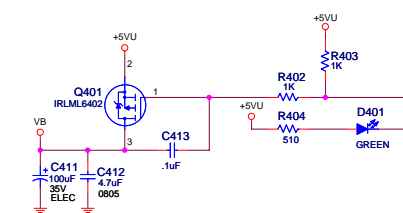
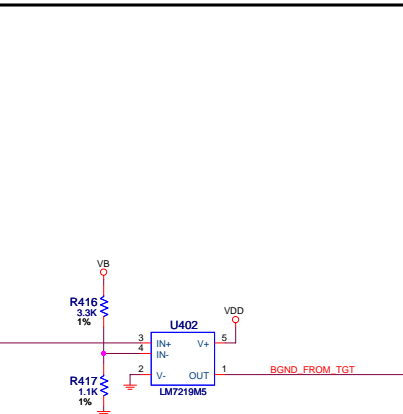
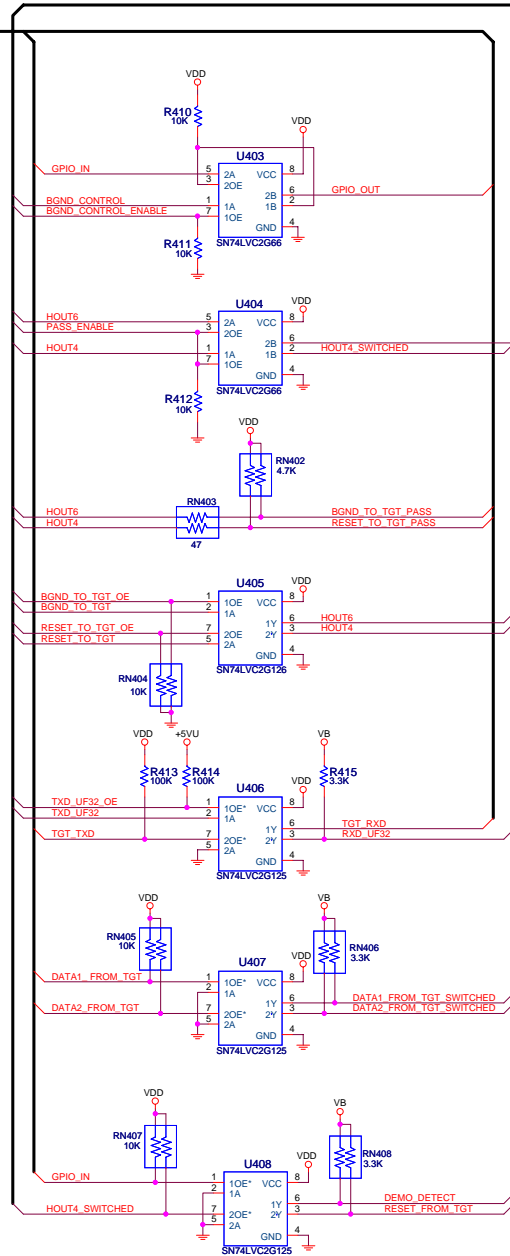
PORT S
 CONTROL SIGNAL
 ANALOG PORT
 PORT R



NOTE:
 10K OHM PULL-UPS
 APPLIED ON RESET* &
 BKGDN INSIDE P&E BLOCK

<table border="1"> <tr> <th>Approvals</th> <th>Date</th> </tr> <tr> <td>Drawn GLG</td> <td>113009</td> </tr> <tr> <td>Checked DSR</td> <td>113009</td> </tr> <tr> <td>Finish</td> <td></td> </tr> </table>	Approvals	Date	Drawn GLG	113009	Checked DSR	113009	Finish		<table border="1"> <tr> <td colspan="2">File</td> </tr> <tr> <td colspan="2">DEMO9S12XHY256</td> </tr> <tr> <td>Size C</td> <td>Document Number</td> </tr> <tr> <td></td> <td>DOC-0509-030</td> </tr> <tr> <td>Date:</td> <td>Thursday, December 03, 2008</td> </tr> <tr> <td>Sheet</td> <td>2 of 2</td> </tr> </table>	File		DEMO9S12XHY256		Size C	Document Number		DOC-0509-030	Date:	Thursday, December 03, 2008	Sheet	2 of 2
Approvals	Date																				
Drawn GLG	113009																				
Checked DSR	113009																				
Finish																					
File																					
DEMO9S12XHY256																					
Size C	Document Number																				
	DOC-0509-030																				
Date:	Thursday, December 03, 2008																				
Sheet	2 of 2																				

[SHEET2]



Approvals		Date	File	
Drawn	GLG	113009	P&E UF32E_MCUSLK	
Checked	DSR	113009	Size	Document Number
Finish			C	DOC-0509-030
Date: Wednesday, December 02, 2009			Sheet	1 of 1